



Chipsmall Limited consists of a professional team with an average of over 10 year of expertise in the distribution of electronic components. Based in Hongkong, we have already established firm and mutual-benefit business relationships with customers from,Europe,America and south Asia,supplying obsolete and hard-to-find components to meet their specific needs.

With the principle of “Quality Parts,Customers Priority,Honest Operation,and Considerate Service”,our business mainly focus on the distribution of electronic components. Line cards we deal with include Microchip,ALPS,ROHM,Xilinx,Pulse,ON,Everlight and Freescale. Main products comprise IC,Modules,Potentiometer,IC Socket,Relay,Connector.Our parts cover such applications as commercial,industrial, and automotives areas.

We are looking forward to setting up business relationship with you and hope to provide you with the best service and solution. Let us make a better world for our industry!



## Contact us

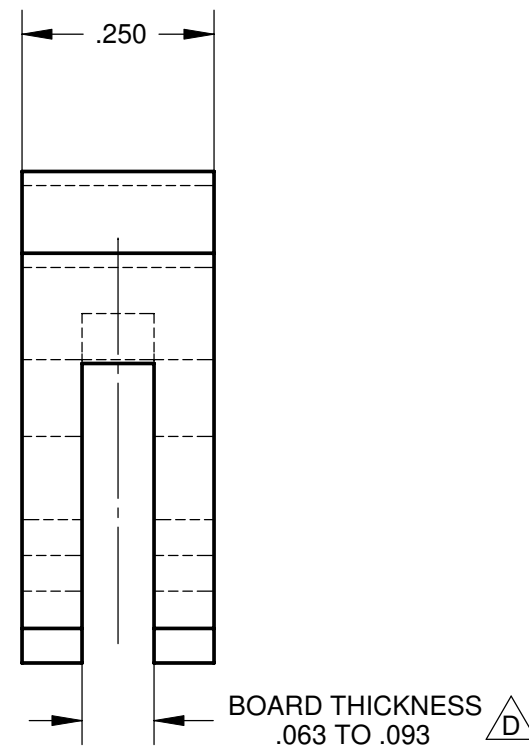
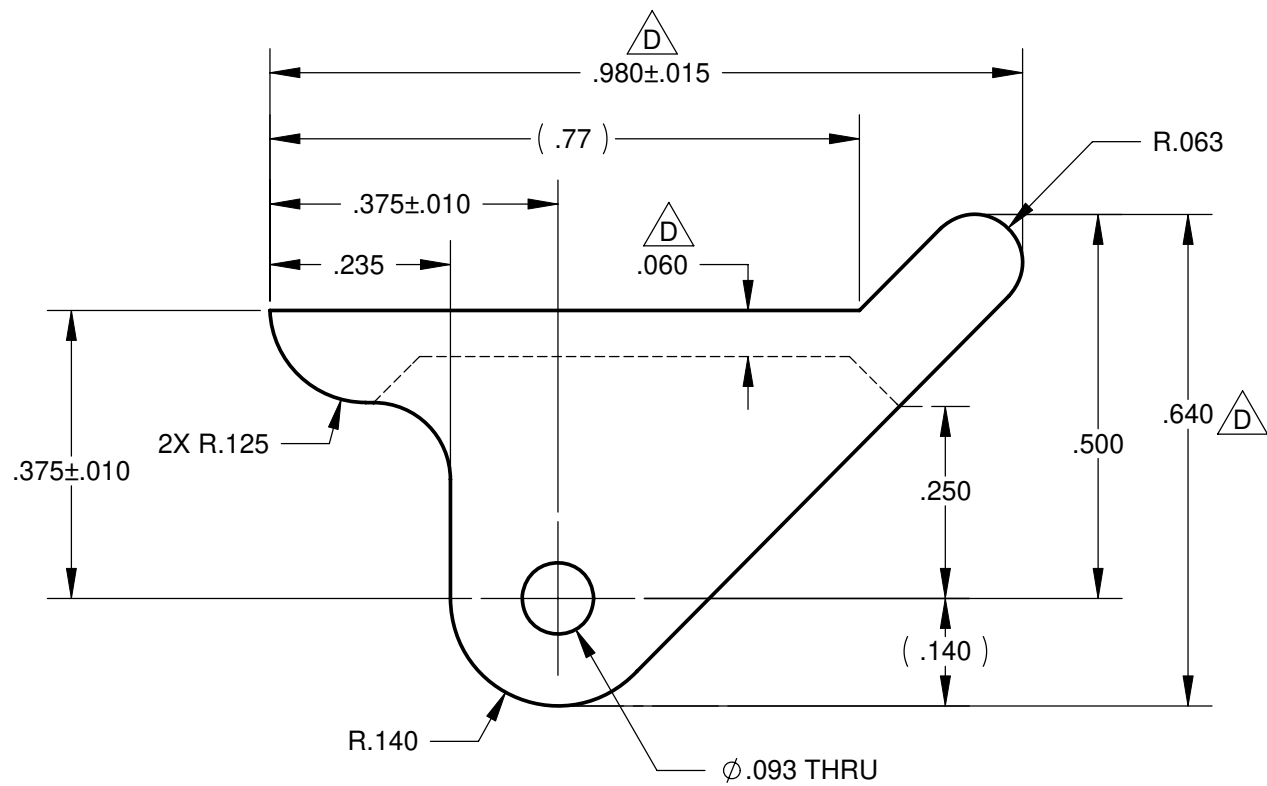
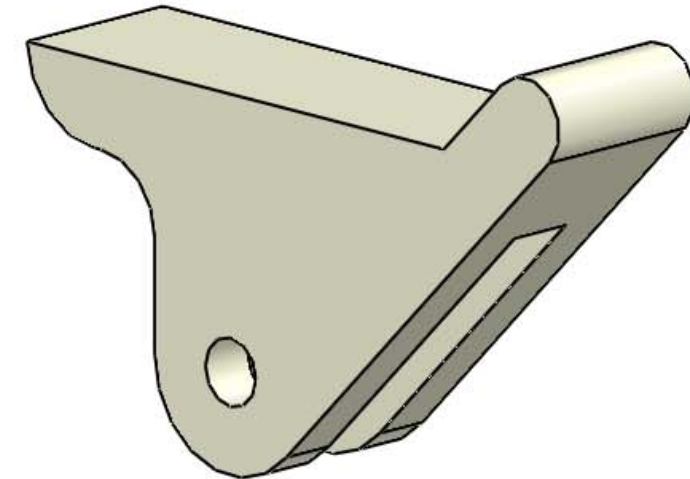
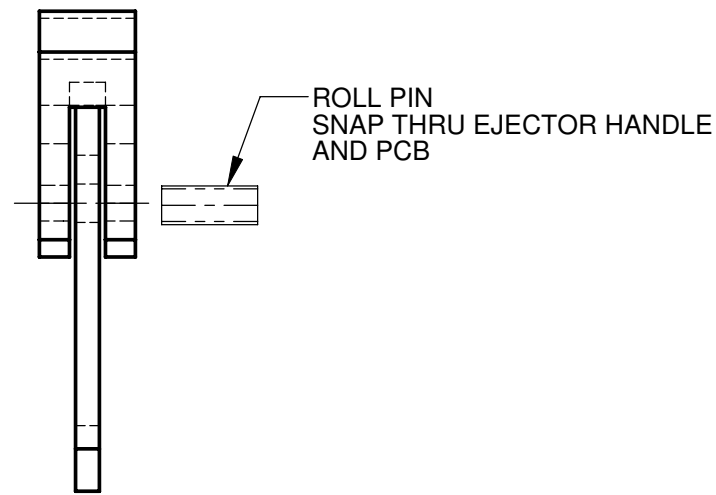
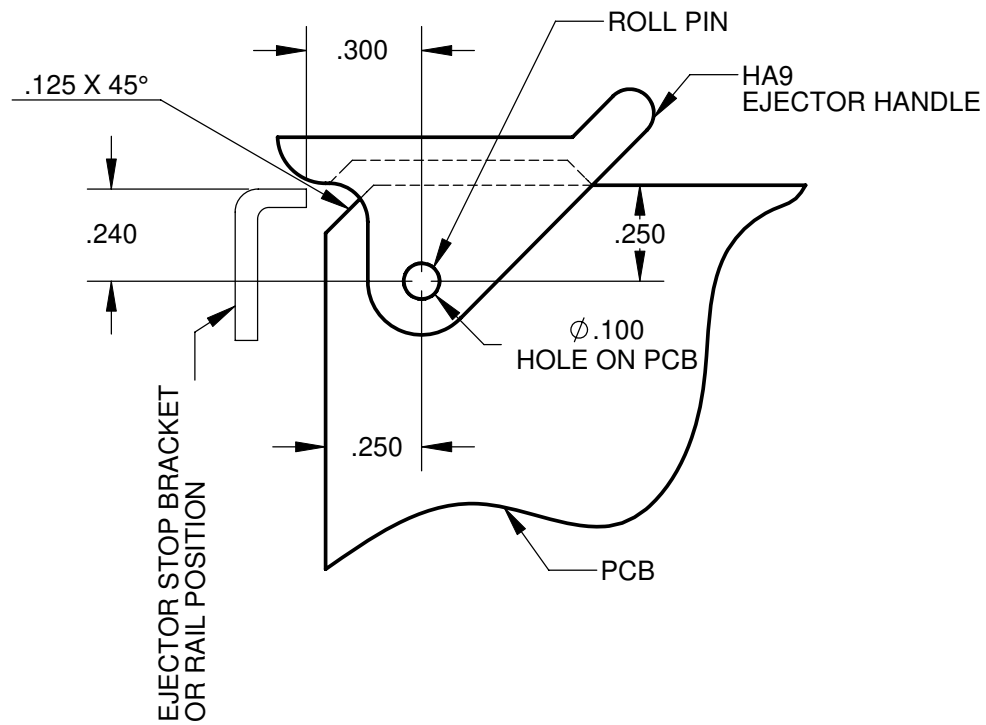
Tel: +86-755-8981 8866 Fax: +86-755-8427 6832

Email & Skype: info@chipsmall.com Web: www.chipsmall.com

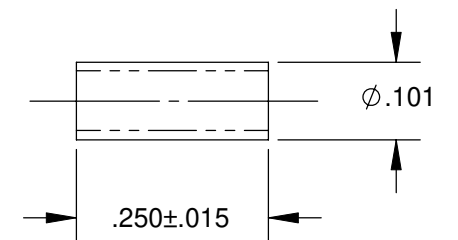
Address: A1208, Overseas Decoration Building, #122 Zhenhua RD., Futian, Shenzhen, China



**RECOMMENDED PCB LAYOUT**



**EJECTOR ROLL PIN DETAIL**  
MATERIAL : PASSIVATED STAINLESS STEEL



**HA9 EJECTOR HANDLE DETAIL 1**

1. MATERIAL : NYLON 6/6, 94V-2, WHITE COLOR

NOTES: UNLESS OTHERWISE SPECIFIED.

**PROPRIETARY AND CONFIDENTIAL**  
THE INFORMATION CONTAINED IN THIS DRAWING IS THE SOLE PROPERTY OF VECTOR ELECTRONICS & TECH., INC. ANY REPRODUCTION IN PART OR AS A WHOLE WITHOUT THE WRITTEN PERMISSION OF VECTOR ELECTRONICS & TECH., INC. IS PROHIBITED.

UNLESS OTHERWISE SPECIFIED:	NAME	DATE
DIMENSIONS ARE IN INCHES	DRAWN	TRUSHAR
TOLERANCES:	CHECKED	
FRACTIONAL ±	ENG APPR.	
ANGULAR: ±5°	MFG APPR.	
TWO PLACE DECIMAL ±.03	Q.A.	
THREE PLACE DECIMAL ±.010		
INTERPRET GEOMETRIC TOLERANCING PER:		
	THIRD ANGLE PROJECTION	
DO NOT SCALE DRAWING		

<b>VECTOR</b>		11115 VANOWEN ST., NORTH HOLLYWOOD, CA 91605
<b>HA9 CARD EJECTOR HANDLE</b>		
SIZE	DWG. NO.	REV
B	MC5005-2-2	D
SCALE: 4:1	WEIGHT:	SHEET 1 OF 1

REVISIONS				
ZONE	REV.	DESCRIPTION	DATE	APPROVED
ALL	B	REDRAWN EC O 1673	07/09/76	
	B1	ADDED .500 DIM.	08/13/76	
	C	ADDED MISSING DIMENSIONS	01/07/10	
	D	CHANGED TO COMPLIANT .063 OR .093 THK CARD (WAS .063 THK ONLY), CHANGED COLOR, CHANGED DIMENSIONS	12/09/11	