



Chipsmall Limited consists of a professional team with an average of over 10 year of expertise in the distribution of electronic components. Based in Hongkong, we have already established firm and mutual-benefit business relationships with customers from,Europe,America and south Asia,supplying obsolete and hard-to-find components to meet their specific needs.

With the principle of “Quality Parts,Customers Priority,Honest Operation,and Considerate Service”,our business mainly focus on the distribution of electronic components. Line cards we deal with include Microchip,ALPS,ROHM,Xilinx,Pulse,ON,Everlight and Freescale. Main products comprise IC,Modules,Potentiometer,IC Socket,Relay,Connector.Our parts cover such applications as commercial,industrial, and automotives areas.

We are looking forward to setting up business relationship with you and hope to provide you with the best service and solution. Let us make a better world for our industry!



## Contact us

Tel: +86-755-8981 8866 Fax: +86-755-8427 6832

Email & Skype: info@chipsmall.com Web: www.chipsmall.com

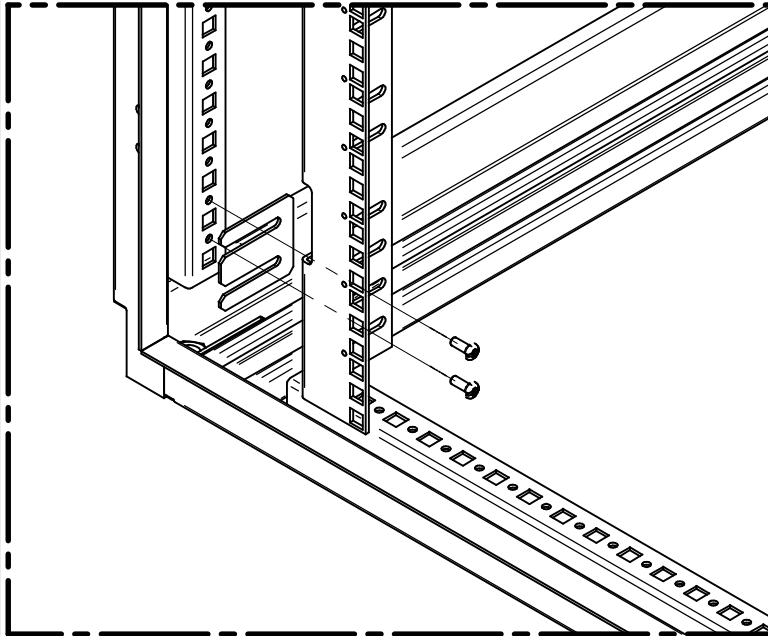
Address: A1208, Overseas Decoration Building, #122 Zhenhua RD., Futian, Shenzhen, China



# HCR/HPR SERIES

ASSEMBLY INSTRUCTIONS FOR  
HCR / HPR (19" MOUNTING RAILS)

FIGURE 1



HME - 600mm Wide Frame  
FIXED RAIL EXAMPLE - FRONT VIEW

### FIXED RAIL LOCATIONS (FRONT / REAR OF CABINET)

#### 600mm WIDE FRAMES:

- MOUNT RAILS DIRECTLY TO FRAME AS SHOWN IN FIGURE 1.  
RAIL SHIMS REQUIRED WHEN GRID STRAPS NOT USED.

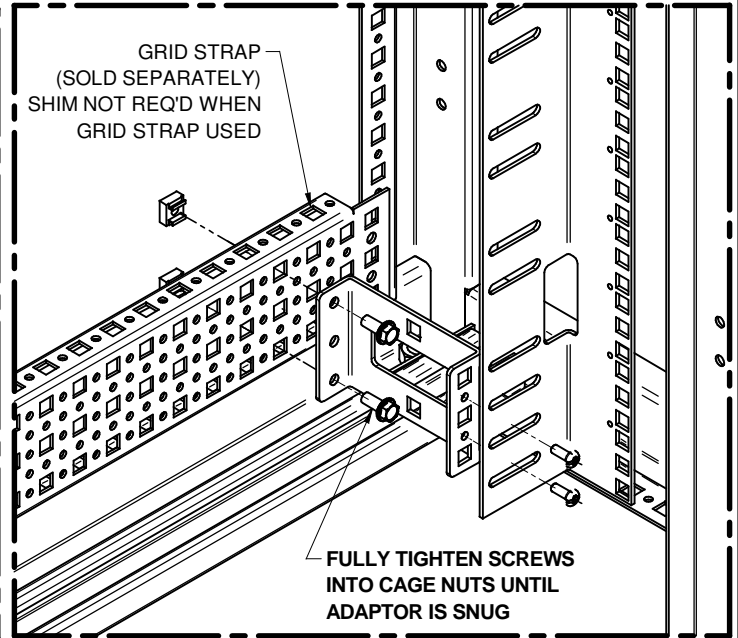
#### 800mm WIDE FRAMES:

- USE RAIL ADAPTOR KITS, (SOLD SEPARATELY), AS SHOWN IN FIGURE 2.

# HAK19800 SERIES

ASSEMBLY INSTRUCTIONS FOR  
HAK19800 (RAIL ADAPTOR KIT )

FIGURE 2



HME - 800mm Wide Frame

ADJUSTABLE RAIL EXAMPLE - REAR VIEW  
SHOWN WITH RAIL ADAPTOR KIT & 75mm GRID STRAP  
(BOTH SOLD SEPARATELY)

### ADJUSTABLE RAIL LOCATIONS (MUST USE WITH 75mm GRID STRAPS, SOLD SPARATELY)

#### 600mm WIDE FRAMES:

- MOUNT RAILS DIRECTLY TO 75mm GRID STRAPS, (SOLD SEPARATELY), AT DESIRED LOCATION.

#### 800mm WIDE FRAMES:

- MOUNT RAIL ADAPTORS, (SOLD SEPARATELY), TO 75mm GRID STRAPS, (SOLD SEPARATELY), AT DESIRED LOCATION AS SHOWN IN FIGURE 2.

#### HCR / HPR PARTS LIST

ITEM No.	DESCRIPTION	QTY
1	19" MOUNTING RAIL (HPR SHOWN)	2
2	RAIL SHIMS	4
3	#12 X 1/2 PAN HD PHILLIPS SELF-TAP	8

#### HAK19800 PARTS LIST

ITEM No.	DESCRIPTION	QTY
1	19" MOUNTING RAIL SPACERS	4
2	1/4-20 X 1/2 HEX HD PHILLIPS COMBO	8
3	1/4-20 CAGE NUT	8

#### TOOL BOX



7/16" Socket  
Wrench



#2 Phillips  
Screw Driver

