



Chipsmall Limited consists of a professional team with an average of over 10 year of expertise in the distribution of electronic components. Based in Hongkong, we have already established firm and mutual-benefit business relationships with customers from,Europe,America and south Asia,supplying obsolete and hard-to-find components to meet their specific needs.

With the principle of “Quality Parts,Customers Priority,Honest Operation,and Considerate Service”,our business mainly focus on the distribution of electronic components. Line cards we deal with include Microchip,ALPS,ROHM,Xilinx,Pulse,ON,Everlight and Freescale. Main products comprise IC,Modules,Potentiometer,IC Socket,Relay,Connector.Our parts cover such applications as commercial,industrial, and automotives areas.

We are looking forward to setting up business relationship with you and hope to provide you with the best service and solution. Let us make a better world for our industry!



Contact us

Tel: +86-755-8981 8866 Fax: +86-755-8427 6832

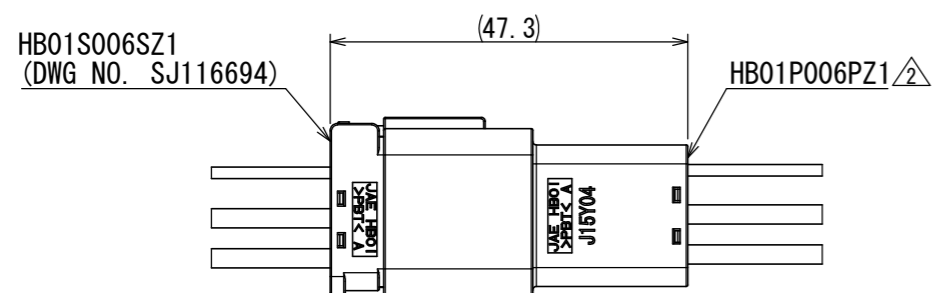
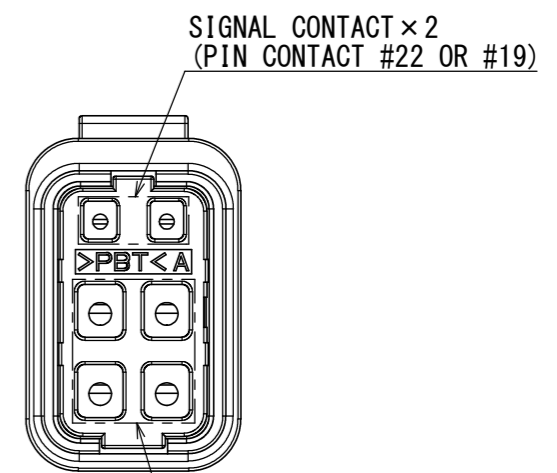
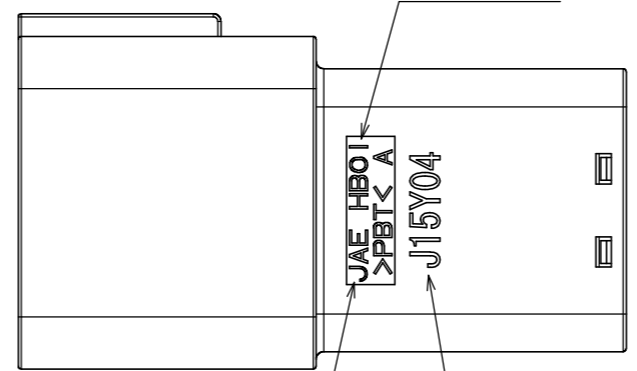
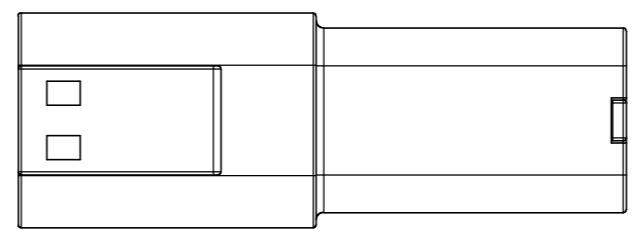
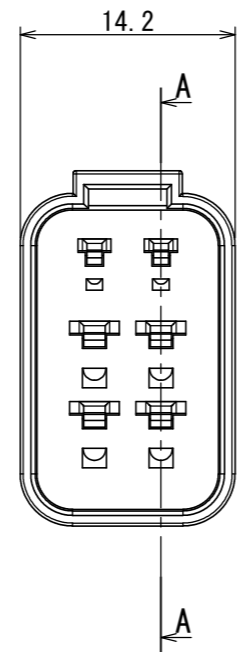
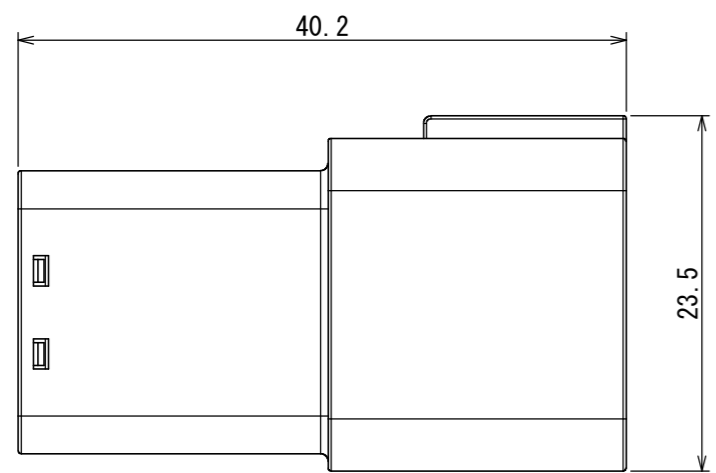
Email & Skype: info@chipsmall.com Web: www.chipsmall.com

Address: A1208, Overseas Decoration Building, #122 Zhenhua RD., Futian, Shenzhen, China

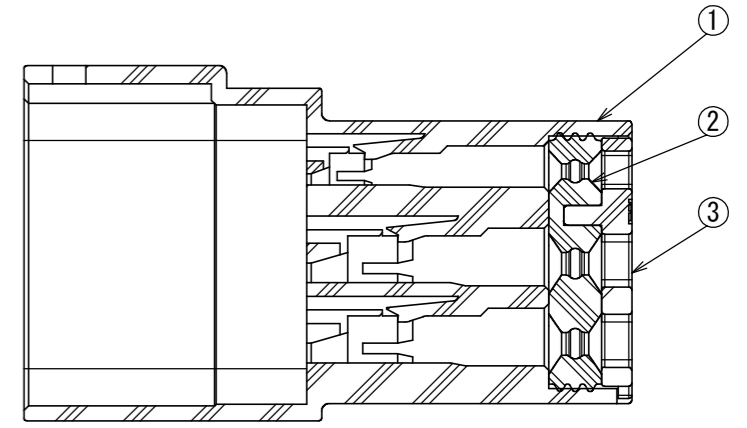
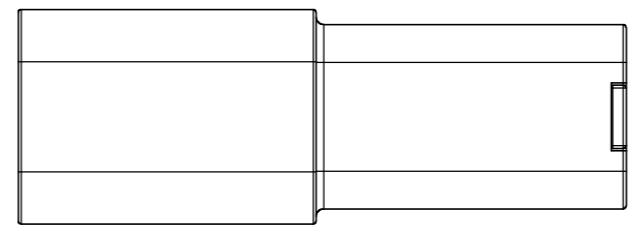


869911RS
(DRAWING NO.) 台異異図

版数 VER.	年月日 DATE	CN NO.	変更内容 DESCRIPTION	製図 DR.	担当 CHK.	査閲 APPD.	承認 APPD.
2	04/JAN/2017	019866	CORRECTION OF ERROR 誤記訂正	—	K. NAKAZAWA	—	T. KUDOU



CONNECTOR MATING STATE
コネクタ嵌合状態



NOTE 1. APPLICABLE CONTACTS ARE SHOWN.
THE CONTACTS ARE SOLD SEPARATELY. (REFER TO TABLE 1)

注1. 適用コネクタを示す。コネクタは別売りである。(表1参照)

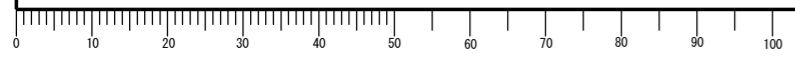
TABLE 1. APPLICABLE CONTACTS (NOTE 1)

NO.	PRODUCT NAME 名称	DRAWING NO. 図番	CONTACT TYPE コネクタ種別	APPLICABLE CABLE 適用電線	
				WIRE SIZE 電線サイズ	INSULATION DIA. 被覆外径
1	HB01P06K4P1	SJ116695	PIN CONTACT #22	AWG#22~24	φ0.9~1.5
2	HB01P06K4P2	SJ116696	PIN CONTACT #19	AWG#19~21	φ1.2~1.8
3	HB01P25H3P1	SJ116699	PIN CONTACT #17	AWG#17~19	φ1.6~2.3
4	HB01P25H2P1	SJ116700	PIN CONTACT #14	AWG#14~16	φ2.1~2.8

3	COVER	1	PBT	COLOR: NATURAL	—
2	GROMMET	1	SILICONE RUBBER	COLOR: BROWN	—
1	INSULATOR	1	PBT	COLOR: BLACK	—
符号 NO.	名称 DESCRIPTION	個数 QTY.	材料 MATERIAL	仕上 FINISH	備考 REMARKS

仕様書 (SPECIFICATION) JACS-11114 (-*)		第1版 (ORIGINAL DATE) 04/DEC/2015		尺度 (SCALE) 2:1		シリーズ (SERIES) HB01		日本航空電子工業株式会社	
一般公差 (GENERAL TOLERANCE)		製図 DR.		名称 (TITLE)		HB01P006PZ1		JAE	
寸法 (DIMENSION)		担当 CHK.		品質 (MASS)		7.5g		JAPAN AVIATION ELECTRONICS INDUSTRY, LTD.	
角度 (ANGLES)		査閲 APPD.		図面番号 (DRAWING NO.)		SJ116693		版数 (VER.)	
単位 (UNIT) : mm		承認 APPD.		T. KUDOU		—		2	

DCF-C-212H(12.08)



WISDOM承認 2017/01/05