



Chipsmall Limited consists of a professional team with an average of over 10 year of expertise in the distribution of electronic components. Based in Hongkong, we have already established firm and mutual-benefit business relationships with customers from,Europe,America and south Asia,supplying obsolete and hard-to-find components to meet their specific needs.

With the principle of “Quality Parts,Customers Priority,Honest Operation,and Considerate Service”,our business mainly focus on the distribution of electronic components. Line cards we deal with include Microchip,ALPS,ROHM,Xilinx,Pulse,ON,Everlight and Freescale. Main products comprise IC,Modules,Potentiometer,IC Socket,Relay,Connector.Our parts cover such applications as commercial,industrial, and automotives areas.

We are looking forward to setting up business relationship with you and hope to provide you with the best service and solution. Let us make a better world for our industry!



Contact us

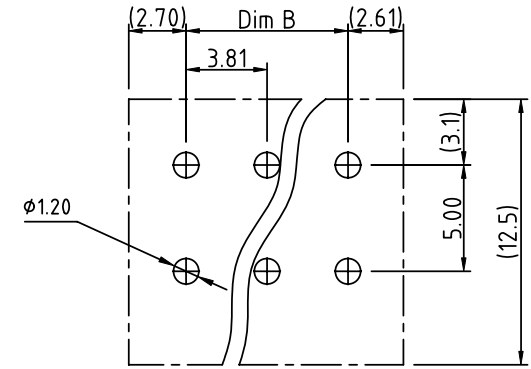
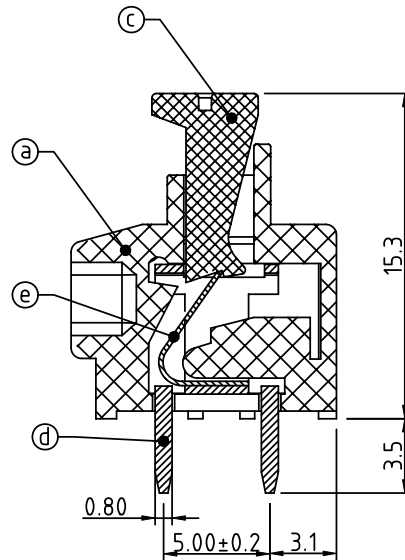
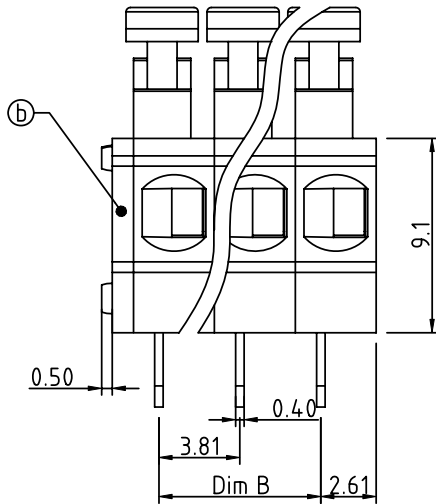
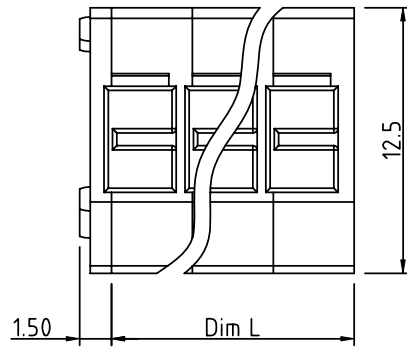
Tel: +86-755-8981 8866 Fax: +86-755-8427 6832

Email & Skype: info@chipsmall.com Web: www.chipsmall.com

Address: A1208, Overseas Decoration Building, #122 Zhenhua RD., Futian, Shenzhen, China



PRODUCT NUMBER	PITCH
HBxx31x000J0G	3.81 mm



RECOMMENDED P.C.B LAYOUT
TOP VIEW

Material:

- ItemⓐInsulating body:Thermoplastic (UL94V-0)
- ItemⓑInsulating cover:Thermoplastic (UL94V-0)
- ItemⓒInsulating lever:Thermoplastic (UL94V-0) Natural color
- ItemⓓSolder pin:Brass,Tin plated
- ItemⓔSpring clamp:Stainless steel

Electrical cULus/VDE

- Voltage rating: 300VAC/250VAC
- Current rating: 10A/9A
- Wire range: 0.5-0.75mm²
- Solid wire(AWG): 16-20
- Stranded wire(AWG): 16-20
- Wire strip length: 9-10mm
- Withstanding Voltage: 1.6KV/2KV
- Operating temperature: -40°C to +115°C
- Soldering temperature: 260°C±5°C/5 Sec
- Safety Approval:

N=Number of poles

Dim L=N×3.81

Dim B=(N-1)×3.81

Poles	Dim L	Dim B
2-6p	±0.20	±0.15
7-12p	±0.30	±0.25
13-18p	±0.40	±0.35
19-24p	±0.45	±0.40

PART NO.: HB xx 31 x 0 00J0 G

End stackable	0	Color	Black (RAL9005)	RoHS compliant	(lead<4%)
No. of poles	2		Red (RAL3001/D)	In copper Alloy	
02	2 poles	3	Orange(RAL2011/P)		
03	3 poles	4	Yellow(RAL1018/A)		
...	...	5	Green(RAL6018/T)		
24	24 poles	6	Blue (RAL5015/A)		
		8	Grey(RAL7004/P)		
		9	White(RAL1102)		
		C	Multiple colors		

mat'l. code		surface ASME Y14.5	tolerance ASME Y14.5	projection	product family
ltr	ecn no	dr	date		TERMINAL BLOCK
tolerances unless otherwise specified				MM	title
angles	flat	X.±0.5		scale	TERMINAL BLOCK
X*±1*		X.X±0.3			SPRING CLAMP,180D WIRE INLET
dr	EVIN ZHONG	052614			dwg no
enrg	EVIN ZHONG	052614			sheet 1 of 1
chr	HANKE FENG	052614			size
appd	SHI JUN	052614			A4
sheet index	revision	A			type
	sheet	1			CUSTOMER Drawing