



Chipsmall Limited consists of a professional team with an average of over 10 year of expertise in the distribution of electronic components. Based in Hongkong, we have already established firm and mutual-benefit business relationships with customers from,Europe,America and south Asia,supplying obsolete and hard-to-find components to meet their specific needs.

With the principle of "Quality Parts,Customers Priority,Honest Operation,and Considerate Service",our business mainly focus on the distribution of electronic components. Line cards we deal with include Microchip,ALPS,ROHM,Xilinx,Pulse,ON,Everlight and Freescale. Main products comprise IC,Modules,Potentiometer,IC Socket,Relay,Connector.Our parts cover such applications as commercial,industrial, and automotives areas.

We are looking forward to setting up business relationship with you and hope to provide you with the best service and solution. Let us make a better world for our industry!



## Contact us

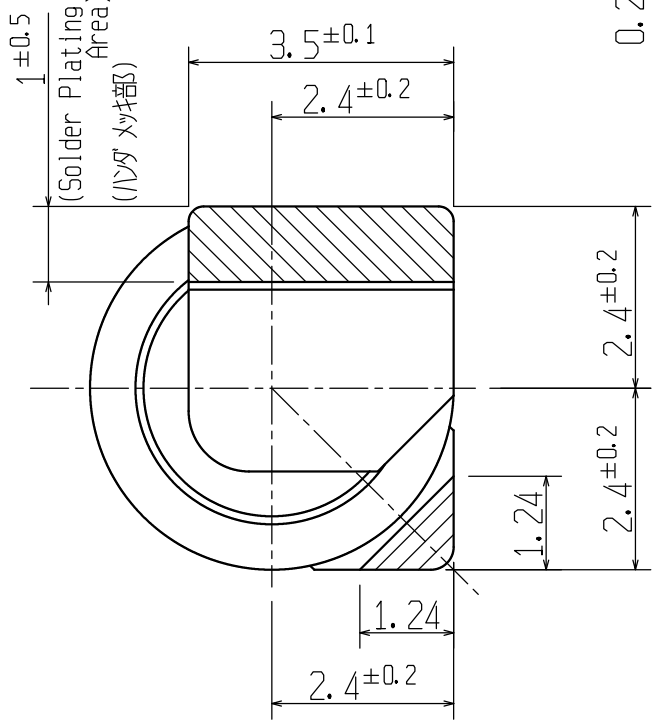
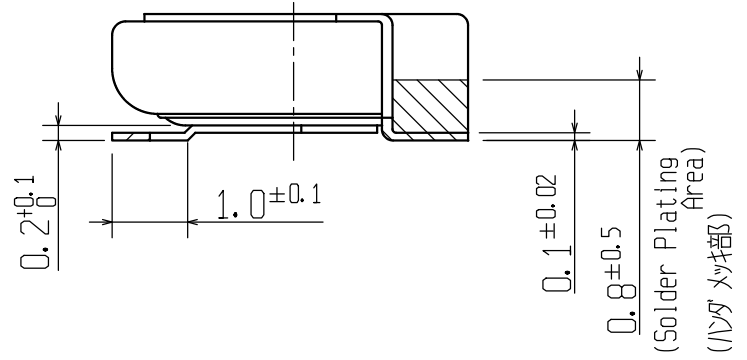
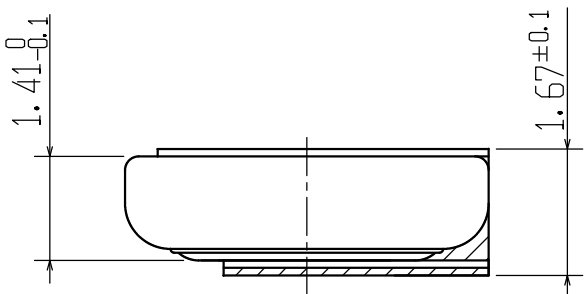
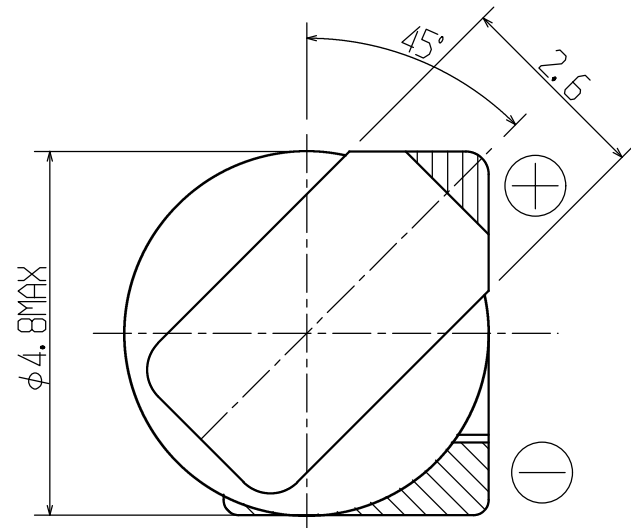
Tel: +86-755-8981 8866 Fax: +86-755-8427 6832

Email & Skype: info@chipsmall.com Web: www.chipsmall.com

Address: A1208, Overseas Decoration Building, #122 Zhenhua RD., Futian, Shenzhen, China



(NOTES)1. TAB pulling strength : Over 9.8N(1.0kgf)  
 (注)1. 端子引張強度 : 9.8N(1.0kgf) 以上



Tolerances of linear dimensions	
Dimension	Tolerance
0.5 - 3	±0.20
3 - 6	±0.20
6 - 30	±0.50
Tolerances of angular dimensions	
±2°	

					File No.	30461320-IVO1E-2
					Material	TAB:SUS304-Ni·P H/2
					Process	:Solder plating ハンダメッキ 5~8μm (Sn 100%)
E02B-031	19. Apr. '02	名称・Cal. 名変更、負極端子位置・形状変更			Date	30. Jan. '02
E02A-006	30. Jan. 02	設定			Name	Battery drawing with tabs
History	Date	Reason			端子付電池図面	
Approved	Checked	Drawn	Scale	10:1	Cal. No.	HB414 IVO1E
赤坂	冨塚	尾形	Unit	1=1mm		
					Rev.	2
					Drw. No.	132 IVO1E