



Chipsmall Limited consists of a professional team with an average of over 10 year of expertise in the distribution of electronic components. Based in Hongkong, we have already established firm and mutual-benefit business relationships with customers from,Europe,America and south Asia,supplying obsolete and hard-to-find components to meet their specific needs.

With the principle of “Quality Parts,Customers Priority,Honest Operation,and Considerate Service”,our business mainly focus on the distribution of electronic components. Line cards we deal with include Microchip,ALPS,ROHM,Xilinx,Pulse,ON,Everlight and Freescale. Main products comprise IC,Modules,Potentiometer,IC Socket,Relay,Connector.Our parts cover such applications as commercial,industrial, and automotives areas.

We are looking forward to setting up business relationship with you and hope to provide you with the best service and solution. Let us make a better world for our industry!



Contact us

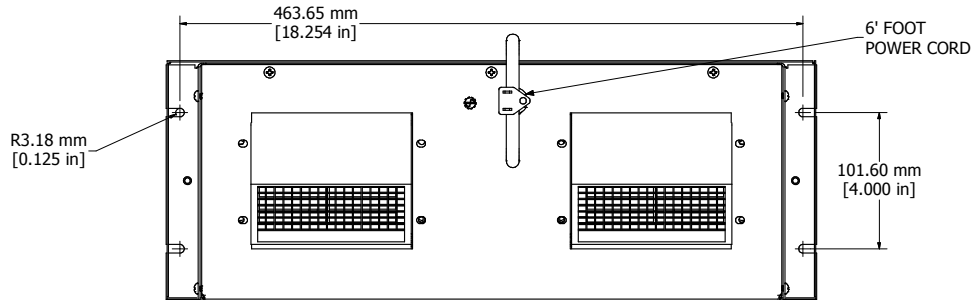
Tel: +86-755-8981 8866 Fax: +86-755-8427 6832

Email & Skype: info@chipsmall.com Web: www.chipsmall.com

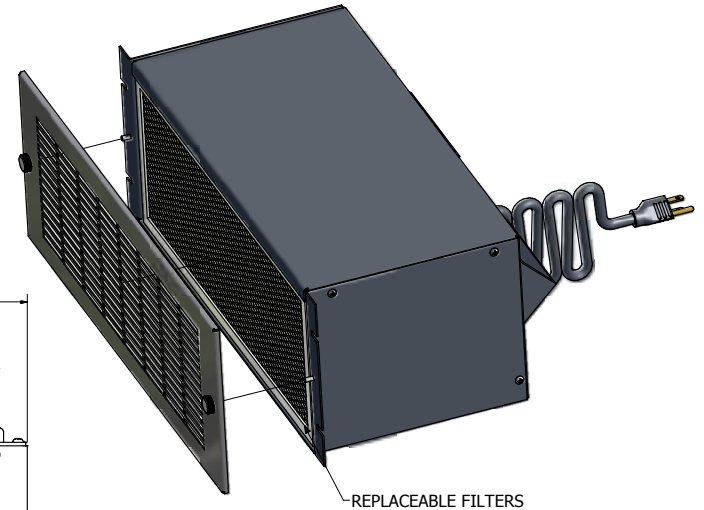
Address: A1208, Overseas Decoration Building, #122 Zhenhua RD., Futian, Shenzhen, China



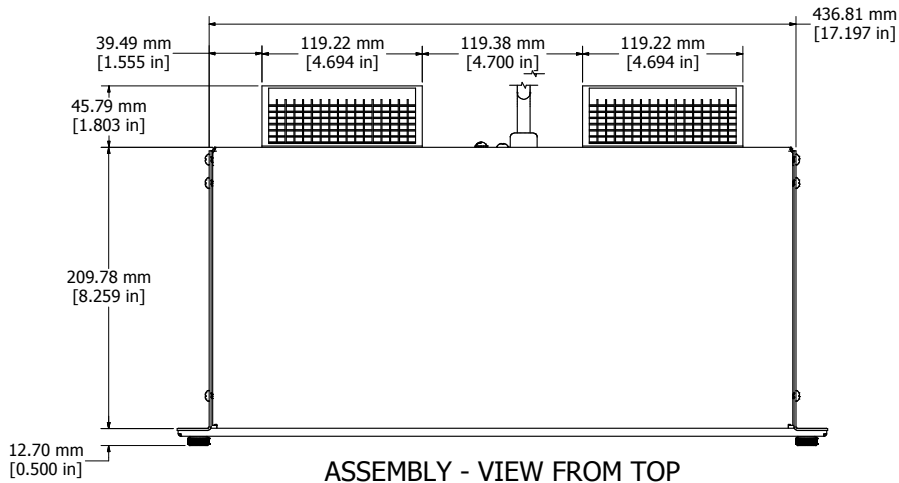
8 | 7 | 6 | 5 | 4 | 3 | 2 | 1



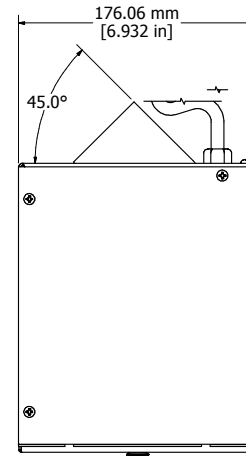
ASSEMBLY - VIEW FROM BACK



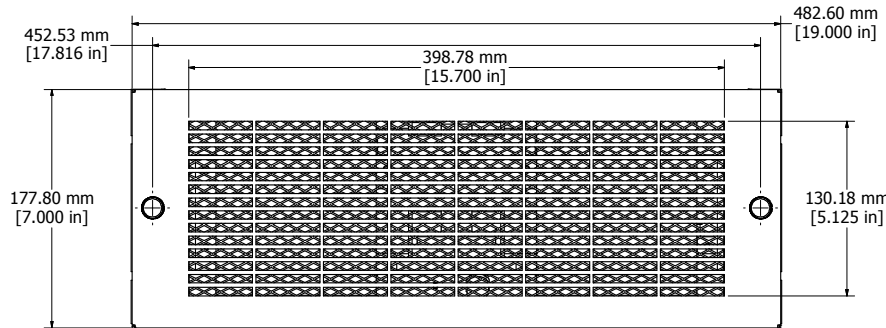
ISOMETRIC VIEW



ASSEMBLY - VIEW FROM TOP



ASSEMBLY - VIEW FROM SIDE



ASSEMBLY - VIEW FROM FRONT

HB4500A
Finish - Front Screen - Polished Stainless Steel
- Case - Painted Black Steel
115 VAC, 50/60 Hz, 2.5 Amps, 405/465 CFM
Motor - UL Recognized, CSA Certified, Ball Bearing Type
ACCESSORIES
Replacement Filter - HB4UFILTER (Package of 5)

**HAMMOND
MANUFACTURING™**
HB4500A
www.hammondmfg.com

8 | 7 | 6 | 5 | 4 | 3 | 2 | 1