



Chipsmall Limited consists of a professional team with an average of over 10 year of expertise in the distribution of electronic components. Based in Hongkong, we have already established firm and mutual-benefit business relationships with customers from,Europe,America and south Asia,supplying obsolete and hard-to-find components to meet their specific needs.

With the principle of “Quality Parts,Customers Priority,Honest Operation,and Considerate Service”,our business mainly focus on the distribution of electronic components. Line cards we deal with include Microchip,ALPS,ROHM,Xilinx,Pulse,ON,Everlight and Freescale. Main products comprise IC,Modules,Potentiometer,IC Socket,Relay,Connector.Our parts cover such applications as commercial,industrial, and automotives areas.

We are looking forward to setting up business relationship with you and hope to provide you with the best service and solution. Let us make a better world for our industry!



Contact us

Tel: +86-755-8981 8866 Fax: +86-755-8427 6832

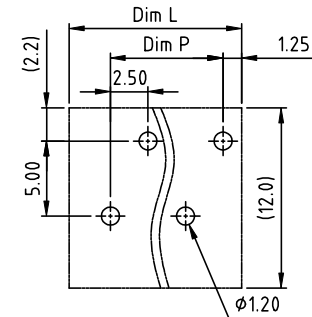
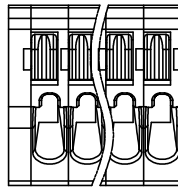
Email & Skype: info@chipsmall.com Web: www.chipsmall.com

Address: A1208, Overseas Decoration Building, #122 Zhenhua RD., Futian, Shenzhen, China



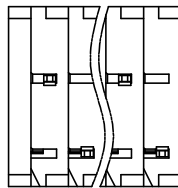
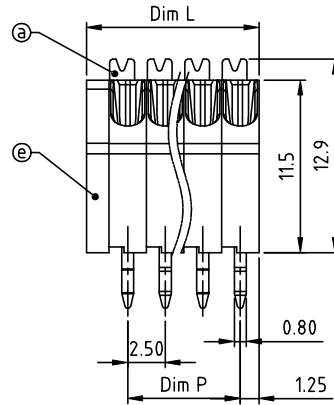
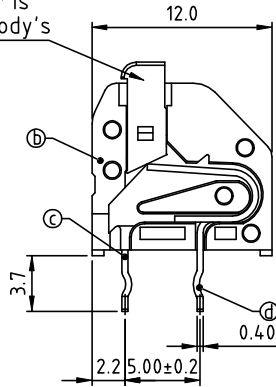


PRODUCT NUMBER	PITCH
HCxxB0x000J0G	2.50mm



RECOMMENDED P.C.B LAYOUT TOP VIEW

The color of lever is consistent with body's



Material:

- Item①Insulator(lever):Thermoplastic (UL94V-0)
- Item②Insulator(housing):Thermoplastic (UL94V-0)
- Item③Side contact pin: PhBz.Tin plated
- Item④Center contact pin: PhBz.Tin plated
- Item⑤Side Cover:Thermoplastic (UL94V-0)

- Electrical:
- | | | |
|-----------------------------|-----------------|------------------------|
| cULus | CQC | TUV |
| ●Voltage rating: | 300V | 300V 150V |
| ●Current rating: | 2A | 2A 2A |
| ●Wire range: | | 0.2-0.5mm ² |
| ●Solid wire(AWG): | 20-26 | 20 |
| ●Stranded wire(AWG): | 20-26 | 20 |
| ●Wire strip length: | 8.5-10.0mm | |
| ●Withstanding Voltage: | 1.6KV | 2.5KV 2.5KV |
| ●Operating temperature: | -40°C to +115°C | |
| ●The soldering temperature: | 260°C±5°C/5 Sec | |
| ●Safety Approval: | | |

A

A

N=Number of poles
 Dim L=Nx2.5+1.5
 Dim P=(N-1)x2.5

Poles	Tolerance
2p/4p/6p/8p	±0.20
10p/12p	±0.30
14p/16p/18p	±0.40
20p/22p/24p	±0.50

PART NO.: HC xx B0 x 000J0 G

		Body Color	RoHS compliant
No. of poles	0	Black (RAL9005)	(lead<4%)
End Stackable	2	Red (RAL3001/D)	In copper Alloy
02	2 poles	3 Orange(RAL2011/P)	
04	4 poles	4 Yellow(RAL1018/A)	
...	...	5 Green(RAL6018/T)	
24	24 poles	6 Blue (RAL5015/A)	
		8 Grey(RAL7004/P)	
		9 White(RAL1102)	
		C Multiple colors	

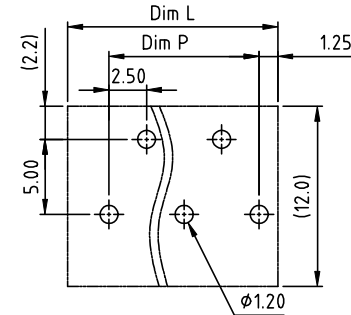
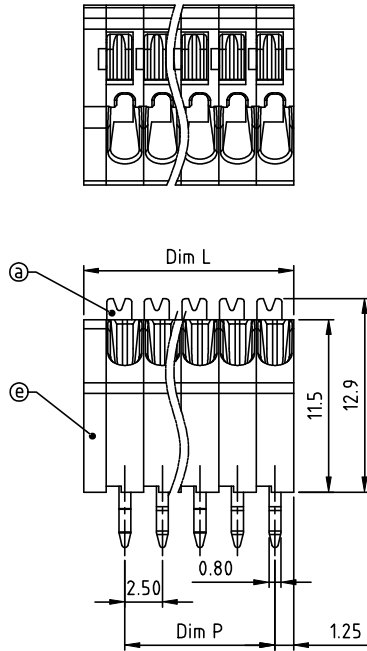
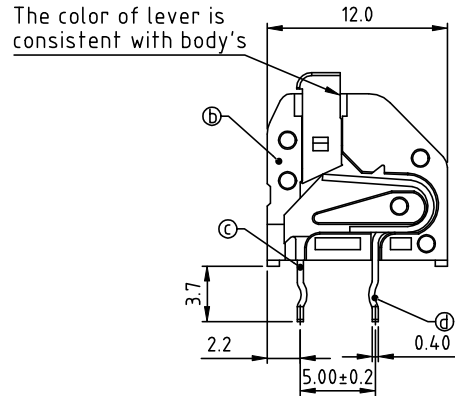
mat'l. code		surface	tolerance	projection	product family
		ASME Y14.5	ASME Y14.5		TERMINAL BLOCK
ltr	ecn no	dr	date	title	
				TERMINAL BLOCK	
				scale	SPRING CLAMP,45D WIRE INLET,WITH LEVER,EVEN POLES
					dwg no
					sheet 1 of 2 size
					HCxxB0x000J0G A4
					type
					CUSTOMER Drawing
sheet index	revision sheet	A	1		

B

B



PRODUCT NUMBER	PITCH
HCxxB0x000J0G	2.50mm

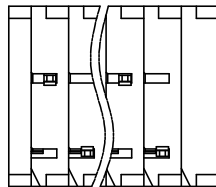


RECOMMENDED P.C.B LAYOUT TOP VIEW

Material:

- Item a Insulator(lever):Thermoplastic (UL94V-0)
- Item b Insulator(housing):Thermoplastic (UL94V-0)
- Item c Side contact pin: PhBz.Tin plated
- Item d Center contact pin: PhBz.Tin plated
- Item e Side Cover:Thermoplastic (UL94V-0)

- Electrical:
- | | | | |
|-----------------------------|-----------------|-------|------------------------|
| | cULus | CQC | TUV |
| ●Voltage rating: | 300V | 300V | 150V |
| ●Current rating: | 2A | 2A | 2A |
| ●Wire range: | | | 0.2-0.5mm ² |
| ●Solid wire(AWG): | 20-26 | 20 | |
| ●Stranded wire(AWG): | 20-26 | 20 | |
| ●Wire strip length: | 8.5-10.0mm | | |
| ●Withstanding Voltage: | 1.6KV | 2.5KV | 2.5KV |
| ●Operating temperature: | -40°C to +115°C | | |
| ●The soldering temperature: | 260°C±5°C/5 Sec | | |
| ●Safety Approval: | | | |



N=Number of poles
 Dim L=Nx2.5+1.5
 Dim P=(N-1)x2.5

Poles	Tolerance
3p/5p	±0.20
7p/9p/11p	±0.30
13p/15p/17p	±0.40
19p/21p/23p	±0.50

PART NO.: HC xx B0 x 000J0 G

- | | | | |
|---------------|----------|---------------------|-----------------|
| | | Body Color | RoHS compliant |
| No. of poles | 0 | Black (RAL9005) | (lead<4%) |
| End Stackable | 2 | Red (RAL3001/D) | In copper Alloy |
| 03 | 3 poles | Orange(RAL2011/P) | |
| 05 | 5 poles | 4 Yellow(RAL1018/A) | |
| ... | ... | 5 Green(RAL6018/T) | |
| 23 | 23 poles | 6 Blue (RAL5015/A) | |
| | | 8 Grey(RAL7004/P) | |
| | | 9 White(RAL1102) | |
| | | C Multiple colors | |

mat'l. code		surface ASME Y14.5	tolerance ASME Y14.5	projection 	product family TERMINAL BLOCK
ltr	ecn no	dr	date	title TERMINAL BLOCK	
tolerances unless otherwise specified				MM	SPRING CLAMP,45D WIRE INLET,WITH LEVER,ODD POLES
angles		X.±0.5		scale	dwg no
X'±1'		X.X±0.3			sheet 2 of 2 size
		X.XX±0.1			HCxxB0x000J0G
		dr	EVIN ZHONG 052314	A4	
		enr	EVIN ZHONG 052314	type	
		chr	HANKE FENG 052314	CUSTOMER Drawing	
		appd	SHI JUN 052314		
sheet index	revision sheet	A	2		