



Chipsmall Limited consists of a professional team with an average of over 10 year of expertise in the distribution of electronic components. Based in Hongkong, we have already established firm and mutual-benefit business relationships with customers from,Europe,America and south Asia,supplying obsolete and hard-to-find components to meet their specific needs.

With the principle of “Quality Parts,Customers Priority,Honest Operation,and Considerate Service”,our business mainly focus on the distribution of electronic components. Line cards we deal with include Microchip,ALPS,ROHM,Xilinx,Pulse,ON,Everlight and Freescale. Main products comprise IC,Modules,Potentiometer,IC Socket,Relay,Connector.Our parts cover such applications as commercial,industrial, and automotives areas.

We are looking forward to setting up business relationship with you and hope to provide you with the best service and solution. Let us make a better world for our industry!



Contact us

Tel: +86-755-8981 8866 Fax: +86-755-8427 6832

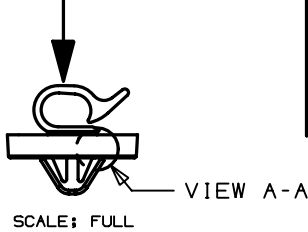
Email & Skype: info@chipsmall.com Web: www.chipsmall.com

Address: A1208, Overseas Decoration Building, #122 Zhenhua RD., Futian, Shenzhen, China

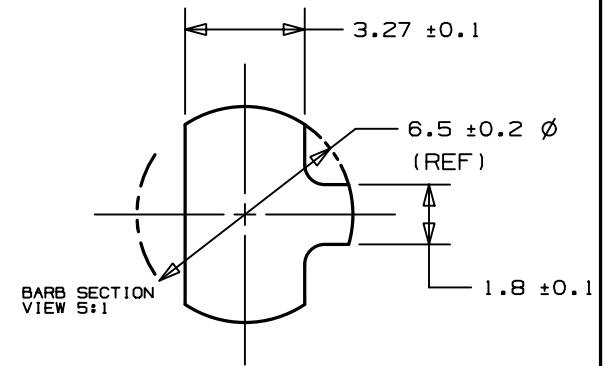
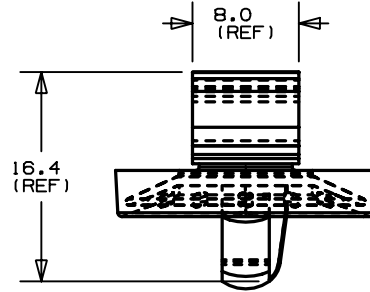
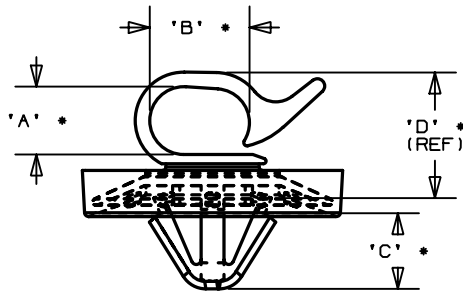


THIS COPY IS PROVIDED ON A RESTRICTED BASIS AND IS NOT TO BE USED IN ANY WAY DETRIMENTAL TO THE INTERESTS OF PANDUIT CORPORATION.

F max = 70N

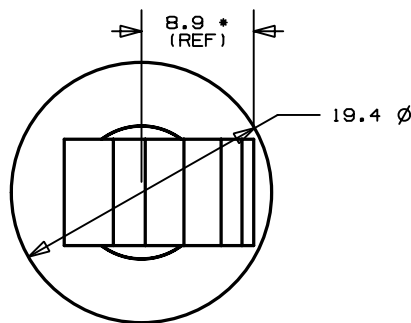


PANDUIT PART NO.	BUNDLE DIA. MIN - MAX.	DIMENSIONS				WEIGHT grams 100 pcs
		'A'	'B'	'C'	'D'	
HCAG05C07-___20	0 - 5.1	5.1	7.5	5.1	9.3	122

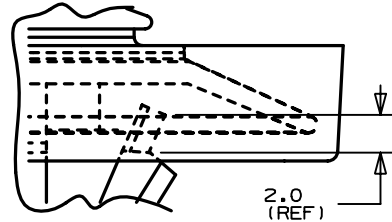


NOTES:

- SEE CURRENT PRICE SHEET FOR PART NUMBER SUFFIX DESIGNATION FOR PACKAGE SIZE, AND COLOR.
- MATERIAL:
CLIP - NYLON 6/6
GASKET - TPE (STYRENIC BASED ELASTOMER)
COLOR: BLACK
- HOLE DIAMETER: 6.5 - 6.7
PANEL THICKNESS: 0.5 - 0.7
- (*) DIMENSIONAL VARIANCE IS POSSIBLE DUE TO MOLDING PROCESS RELATED SINKMARKS.



VIEW A-A
SCALE: 5X
(SOME DETAIL REMOVED)



CAD FILENAME/LAYER G01932BD_PB_HCAG05C07_04

PANDUIT CORP.

TINLEY PARK, ILLINOIS

HARNESS CLIP WITH PUSH MOUNT
ANCHOR AND GASKET

Unless otherwise specified, all dimensions are metric tolerance; ±0.5mm

DRAWN BY JAD

MAT'L:

SCALE 2x

DATE 1-15-99

SEE NOTE 2

DRAWING NO.

GB1932BD

DWG
SIZE
A

REV	DATE	BY	CHK	DESCRIPTION	ECN - R	CUST	SUP
4	11/4/03	JAD		CHG DIM 'D' TO REF, 3.27 DIM WAS 3.6, CHG 6.5 DIM TO REF, DEL (2) 1.8 REF DIMS, DEL, .6 DIM	681932BD	4	