



Chipsmall Limited consists of a professional team with an average of over 10 year of expertise in the distribution of electronic components. Based in Hongkong, we have already established firm and mutual-benefit business relationships with customers from,Europe,America and south Asia,supplying obsolete and hard-to-find components to meet their specific needs.

With the principle of “Quality Parts,Customers Priority,Honest Operation,and Considerate Service”,our business mainly focus on the distribution of electronic components. Line cards we deal with include Microchip,ALPS,ROHM,Xilinx,Pulse,ON,Everlight and Freescale. Main products comprise IC,Modules,Potentiometer,IC Socket,Relay,Connector.Our parts cover such applications as commercial,industrial, and automotives areas.

We are looking forward to setting up business relationship with you and hope to provide you with the best service and solution. Let us make a better world for our industry!



Contact us

Tel: +86-755-8981 8866 Fax: +86-755-8427 6832

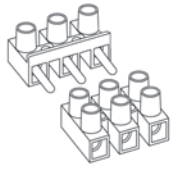
Email & Skype: info@chipsmall.com Web: www.chipsmall.com

Address: A1208, Overseas Decoration Building, #122 Zhenhua RD., Futian, Shenzhen, China



OVERVIEW

SCREW CLAMP CONNECTION TECHNOLOGY



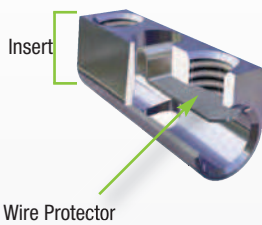
- Quick and Efficient Wire-to-Wire connection solution
- Modern Replacement for traditional Double-Row Barrier Style Terminal Blocks
- Touch-proof design to eliminate shorts
- Available in 12 poles or precut to required number of poles
- Easy to cut to length by using hacksaw or utility knife
- Safe, Gas-tight connection
- Reliable connection utilizing a precision machined tubular screw clamp insert
- Accessories for convenient wire installation and usage



SELECTION GUIDE

HE SERIES with wire protector

MATERIAL SPECIFICATIONS



Current Carrying Metal

Corrosion free material

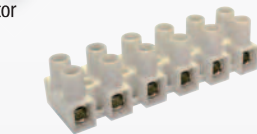
- Insert: Tinned Brass
- Screw: Blue chromated steel
- Wire protector: Stainless Steel

Terminal Block Housing

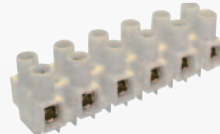
- Polyamide PA66 Housing
- Self-extinguishing
- High mechanical strength

Polyamide 66 Specifications

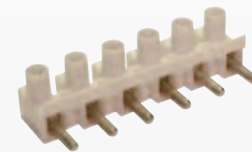
- Upper Temperature Limit: 125°C
- Lower Temperature Limit: -30°C
- Flammability UL94: V0



HE Series Flat Base 300V
page 96-97



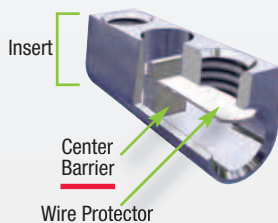
HEH Series Standoff Feet 600V
page 98-99



HE42 Series Pluggable 300V, 600V
page 100-101

ATS SERIES with wire protector - Center Barrier

MATERIAL SPECIFICATIONS



Current Carrying Metal

Corrosion free material

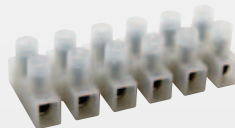
- Insert: Nickel-plated copper alloy
- Screw: yellow chromated steel
- Wire protector: Stainless Steel
- Middle Barrier: Stainless Steel

Terminal Block Housing

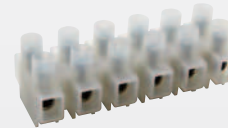
- Polyamide PA66 Housing
- Self-extinguishing
- High mechanical strength

Polyamide 66 Specifications

- Upper Temperature Limit: 125°C
- Lower Temperature Limit: -30°C
- Flammability UL94: V0



ATS Series Flat Base 300V
page 102



ATSF Series Standoff Feet 600V
page 103

ACCESSORIES



Jumpers, Separation Plates, Marking Pins, Imprinting
page 104-105

HIGHLIGHTS

FEATURES

- 300V up to 63A
- Cost effective reliable wire-to-wire solution
- Easy to use double-row terminal strips
- Panel mount or free float
- Finger safe metal parts
- Wire protector
- easy to cut to required pole configuration
- Pre cut version in stock
- Color: white

APPLICATIONS

- HVAC
- Appliances
- Equipment
- Power Distribution
- Junction Boxes
- Cost effective alternative to barrier strips



Dimensions & Weight

| | | |
|----------------------------|--------|--------|
| Pitch Spacing | 8 mm | 10 mm |
| Weight per piece (12 pole) | 16.2 g | 31.6 g |

Technical Data/Ratings

| | | | | |
|------------------------------|----------------------|-----------------------|----------------------|-----------------------|
| Approvals | | | | |
| | 24-12 AWG | 1-2.5 mm ² | 24-10 AWG | 2.5-4 mm ² |
| Wire Size (solid / stranded) | 300 V | 400 V | 300 V | 400 V |
| Voltage Rating | 20 A | 6 A | 30 A | 10 A |
| Current Rating | 4.4 lb-in | 0.35 Nm | 7.0 lb-in | 0.4 Nm |
| Torque | Polyamide 66/6 V0 | | Polyamide 66/6 V0 | |
| Insulation Material | Tinned Brass | | Tinned Brass | |
| Insert Material | Blue Chromated Steel | | Blue Chromated Steel | |
| Terminal Screw Material | 5 mm | | 6 mm | |
| Wire Stripping Length | 3.0 mm | | 3.6 mm | |
| Mounting Hole Diameter | M2.6 | | M3 | |
| Terminal Screw Size | 2 pole | | 16.4 mm | |
| Terminal Strips | 3 pole | | 26.4 mm | |
| | 4 pole | | 36.4 mm | |
| Terminal Strips | 5 pole | | 46.4 mm | |
| | 6 pole | | 56.4 mm | |
| Terminal Strips | 7 pole | | 66.4 mm | |
| | 8 pole | | 76.4 mm | |
| Terminal Strips | 9 pole | | 86.4 mm | |
| | 10 pole | | 96.4 mm | |
| Terminal Strips | 11 pole | | 106.4 mm | |
| | 12 pole | | 116.4 mm | |
| Terminal Strips | HCL8-2 | | HCL10-2 | |
| | HCL8-3 | | HCL10-3 | |
| Terminal Strips | HCL8-4 | | HCL10-4 | |
| | HCL8-12 | | HCL10-12 | |
| Marking Plates | Blank | - | BS24E | 25 |
| | No. 1-12 | - | BS24EM1-12 | 25 |
| | No. 13-24 | - | BS24EM13-24 | 25 |

Installation Instructions

| | | |
|------------------------|--------|--------|
| Wire Stripping Length | 5 mm | 6 mm |
| Mounting Hole Diameter | 3.0 mm | 3.6 mm |
| Terminal Screw Size | M2.6 | M3 |

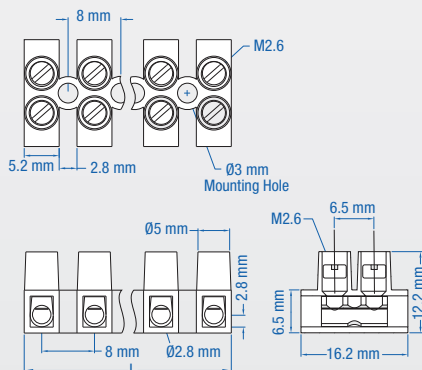
Terminal Strips

| | Cat. No. | Length | Std. Pk. | Cat. No. | Length | Std. Pk. |
|---------|-----------|---------|----------|-----------|----------|----------|
| 2 pole | HE1WPR/02 | 13.2 mm | 100 | HE4WPR/02 | 16.4 mm | 100 |
| 3 pole | HE1WPR/03 | 21.2 mm | 100 | HE4WPR/03 | 26.4 mm | 100 |
| 4 pole | HE1WPR/04 | 29.2 mm | 100 | HE4WPR/04 | 36.4 mm | 100 |
| 5 pole | HE1WPR/05 | 37.2 mm | 100 | HE4WPR/05 | 46.4 mm | 100 |
| 6 pole | HE1WPR/06 | 45.2 mm | 50 | HE4WPR/06 | 56.4 mm | 50 |
| 7 pole | HE1WPR/07 | 53.2 mm | 50 | HE4WPR/07 | 66.4 mm | 50 |
| 8 pole | HE1WPR/08 | 61.2 mm | 50 | HE4WPR/08 | 76.4 mm | 50 |
| 9 pole | HE1WPR/09 | 69.2 mm | 50 | HE4WPR/09 | 86.4 mm | 50 |
| 10 pole | HE1WPR/10 | 77.2 mm | 50 | HE4WPR/10 | 96.4 mm | 50 |
| 11 pole | HE1WPR/11 | 85.2 mm | 50 | HE4WPR/11 | 106.4 mm | 50 |
| 12 pole | HE1WPR/12 | 93.2 mm | 50 | HE4WPR/12 | 116.4 mm | 50 |

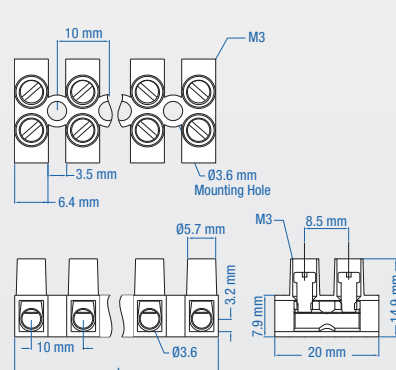
Accessories

| | Cat. No. | Std. Pk. | Cat. No. | Std. Pk. | |
|------------------|-----------|----------|----------|-------------|-----|
| External Jumpers | 2 pole | HCL8-2 | 100 | HCL10-2 | 100 |
| | 3 pole | HCL8-3 | 100 | HCL10-3 | 100 |
| | 4 pole | HCL8-4 | 100 | HCL10-4 | 100 |
| | 12 pole | HCL8-12 | 25 | HCL10-12 | 25 |
| Marking Plates | Blank | - | - | BS24E | 25 |
| | No. 1-12 | - | - | BS24EM1-12 | 25 |
| | No. 13-24 | - | - | BS24EM13-24 | 25 |

HE1 DIMENSIONS



HE4 DIMENSIONS



(All dimensions are shown in mm, to convert to inches please divide by 25.4)

HE6



HE10



HE16



Dimensions & Weight

| | | | |
|----------------------------|--------|--------|--------|
| Pitch Spacing | 12 mm | 15 mm | 15 mm |
| Weight per piece (12 pole) | 47.0 g | 95.5 g | 94.5 g |

Technical Data/Ratings

| | | | | | | |
|------------------------------|----------------------|---------------------|----------------------|----------------------|----------------------|-----------------------|
| Approvals | | | | | | |
| Wire Size (solid / stranded) | 20-10 AWG | 4-6 mm ² | 18-8 AWG | 6-10 mm ² | 18-6 AWG | 10-16 mm ² |
| Voltage Rating | 300 V | 400 V | 300 V | 400 V | 300 V | 400 V |
| Current Rating | 40 A | 16 A | 50 A | 25 A | 63 A | 35 A |
| Torque | 7.0 lb-in | 0.55 Nm | 10.6 lb-in | 0.84 Nm | 17.7 lb-in | 1.4 Nm |
| Insulation Material | Polyamide 66/6 V0 | | Polyamide 66/6 V0 | | Polyamide 66/6 V0 | |
| Insert Material | Tinned Brass | | Tinned Brass | | Tinned Brass | |
| Terminal Screw Material | Blue Chromated Steel | | Blue Chromated Steel | | Blue Chromated Steel | |

Installation Instructions

| | | | |
|------------------------|--------|--------|--------|
| Wire Stripping Length | 7 mm | 8.5 mm | 8.5 mm |
| Mounting Hole Diameter | 4.2 mm | 4.5 mm | 4.5 mm |
| Terminal Screw Size | M3.5 | M4 | M5 |

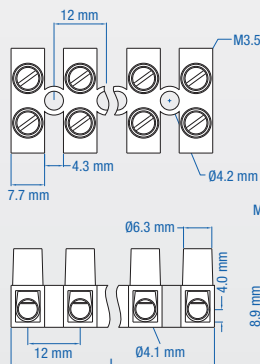
Terminal Strips

| | Cat. No. | Length | Std. Pk. | Cat. No. | Length | Std. Pk. | Cat. No. | Length | Std. Pk. |
|---------|-----------|----------|----------|------------|----------|----------|------------|----------|----------|
| 2 pole | HE6WPR/02 | 19.8 mm | 100 | HE10WPR/02 | 24.2 mm | 50 | HE16WPR/02 | 24.2 mm | 50 |
| 3 pole | HE6WPR/03 | 31.8 mm | 100 | HE10WPR/03 | 39.2 mm | 50 | HE16WPR/03 | 39.2 mm | 50 |
| 4 pole | HE6WPR/04 | 43.8 mm | 100 | HE10WPR/04 | 54.2 mm | 50 | HE16WPR/04 | 54.2 mm | 50 |
| 5 pole | HE6WPR/05 | 55.8 mm | 100 | HE10WPR/05 | 69.2 mm | 50 | HE16WPR/05 | 69.2 mm | 50 |
| 6 pole | HE6WPR/06 | 67.8 mm | 50 | HE10WPR/06 | 84.2 mm | 25 | HE16WPR/06 | 84.2 mm | 25 |
| 7 pole | HE6WPR/07 | 79.8 mm | 50 | HE10WPR/07 | 99.2 mm | 25 | HE16WPR/07 | 99.2 mm | 25 |
| 8 pole | HE6WPR/08 | 91.8 mm | 50 | HE10WPR/08 | 114.2 mm | 25 | HE16WPR/08 | 114.2 mm | 25 |
| 9 pole | HE6WPR/09 | 103.8 mm | 50 | HE10WPR/09 | 129.2 mm | 25 | HE16WPR/09 | 129.2 mm | 25 |
| 10 pole | HE6WPR/10 | 115.8 mm | 25 | HE10WPR/10 | 144.2 mm | 10 | HE16WPR/10 | 144.2 mm | 10 |
| 11 pole | HE6WPR/11 | 127.8 mm | 25 | HE10WPR/11 | 159.2 mm | 10 | HE16WPR/11 | 159.2 mm | 10 |
| 12 pole | HE6WPR/12 | 139.8 mm | 25 | HE10WPR/12 | 174.2 mm | 10 | HE16WPR/12 | 174.2 mm | 10 |

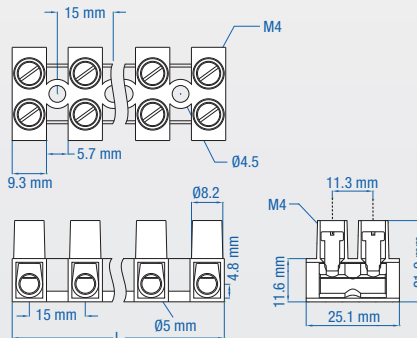
Accessories

| | Cat. No. | Std. Pk. | Cat. No. | Std. Pk. | Cat. No. | Std. Pk. |
|------------------|-----------------------|----------|---------------|----------|---------------|----------|
| External Jumpers | 2 pole HCL12-2 | 100 | HCL15-2 | 100 | HCL15-2 | 100 |
| | 3 pole HCL12-3 | 100 | HCL15-3 | 100 | HCL15-3 | 100 |
| | 4 pole HCL12-4 | 100 | HCL15-4 | 100 | HCL15-4 | 100 |
| | 12 pole HCL12-12 | 25 | HCL15-12 | 25 | HCL15-12 | 25 |
| Marking Plates | Blank BS60E | 25 | BS1016E | 25 | BS1016E | 25 |
| | No. 1-12 BS60EM1-12 | 25 | BS1016EM1-12 | 25 | BS1016EM1-12 | 25 |
| | No. 13-24 BS60EM13-24 | 25 | BS1016EM13-24 | 25 | BS1016EM13-24 | 25 |

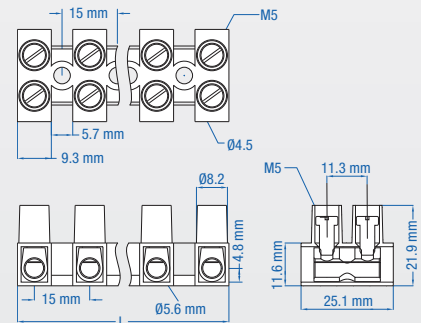
HE6 DIMENSIONS



HE10 DIMENSIONS



HE16 DIMENSIONS



(All dimensions are shown in mm, to convert to inches please divide by 25.4)

HIGHLIGHTS

FEATURES

- 600V up to 63A
- Cost effective reliable wire-to-wire solution
- Easy to use double-row terminal strips
- Panel mount or free float
- Finger safe metal parts
- Wire protector
- easy to cut to required pole configuration
- Pre cut version in stock
- Color: white

APPLICATIONS

- HVAC
- Appliances
- Equipment
- Power Distribution
- Junction Boxes
- Cost effective alternative to barrier strips

HE1H



HE4HN



Dimensions & Weight

| | | |
|----------------------------|--------|--------|
| Pitch Spacing | 8 mm | 10 mm |
| Weight per piece (12 pole) | 17.2 g | 33.0 g |

Technical Data/Ratings

| | | | | |
|------------------------------|----------------------|-----------------------|----------------------|-----------------------|
| Approvals | | | | |
| Wire Size (solid / stranded) | 24-12 AWG | 1-2.5 mm ² | 24-10 AWG | 2.5-4 mm ² |
| Voltage Rating | 600 V | 500 V | 600 V | 500 V |
| Current Rating | 20 A | 6 A | 30 A | 10 A |
| Torque | 4.4 lb-in | 0.35 Nm | 7.0 lb-in | 0.4 Nm |
| Insulation Material | Polyamide 66/6 V0 | | Polyamide 66/6 V0 | |
| Insert Material | Tinned Brass | | Tinned Brass | |
| Screw Material | Blue Chromated Steel | | Blue Chromated Steel | |

Installation Instructions

| | | |
|------------------------|--------|--------|
| Wire Stripping Length | 5 mm | 6 mm |
| Mounting Hole Diameter | 3.0 mm | 3.6 mm |
| Terminal Screw Size | M2.6 | M3 |

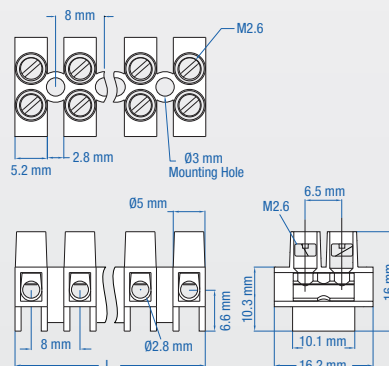
Terminal Strips

| | Cat. No. | Length | Std. Pk. | Cat. No. | Length | Std. Pk. |
|---------|------------|---------|----------|-------------|----------|----------|
| 2 pole | HE1HWPR/02 | 13.2 mm | 100 | HE4HNWPR/02 | 16.4 mm | 100 |
| 3 pole | HE1HWPR/03 | 21.2 mm | 100 | HE4HNWPR/03 | 26.4 mm | 100 |
| 4 pole | HE1HWPR/04 | 29.2 mm | 100 | HE4HNWPR/04 | 36.4 mm | 100 |
| 5 pole | HE1HWPR/05 | 37.2 mm | 100 | HE4HNWPR/05 | 46.4 mm | 100 |
| 6 pole | HE1HWPR/06 | 45.2 mm | 50 | HE4HNWPR/06 | 56.4 mm | 50 |
| 7 pole | HE1HWPR/07 | 53.2 mm | 50 | HE4HNWPR/07 | 66.4 mm | 50 |
| 8 pole | HE1HWPR/08 | 61.2 mm | 50 | HE4HNWPR/08 | 76.4 mm | 50 |
| 9 pole | HE1HWPR/09 | 69.2 mm | 50 | HE4HNWPR/09 | 86.4 mm | 50 |
| 10 pole | HE1HWPR/10 | 77.2 mm | 50 | HE4HNWPR/10 | 96.4 mm | 50 |
| 11 pole | HE1HWPR/11 | 85.2 mm | 50 | HE4HNWPR/11 | 106.4 mm | 50 |
| 12 pole | HE1HWPR/12 | 93.2 mm | 50 | HE4HNWPR/12 | 116.4 mm | 50 |

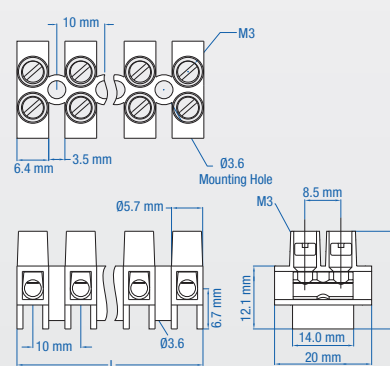
Accessories

| | Cat. No. | Std. Pk. | Cat. No. | Std. Pk. |
|---------------------|-----------------|----------|-------------|----------|
| External Jumpers | 2 pole HCL8-2 | 100 | HCL10-2 | 100 |
| | 3 pole HCL8-3 | 100 | HCL10-3 | 100 |
| | 4 pole HCL8-4 | 100 | HCL10-4 | 100 |
| | 12 pole HCL8-12 | 25 | HCL10-12 | 25 |
| | Marking Plates | Blank | - | BS24E |
| No. 1-12 | | - | BS24EM1-12 | 25 |
| No. 13-24 | | - | BS24EM13-24 | 25 |
| Isolation Partition | - | - | HEP4/6H | 5 |
| Mounting Pins | - | - | H4 | 50 |

HE1H DIMENSIONS



HE4HN DIMENSIONS



(All dimensions are shown in mm, to convert to inches please divide by 25.4)



Dimensions & Weight

| | | | |
|----------------------------|--------|--------|--------|
| Pitch Spacing | 12 mm | 15 mm | 15 mm |
| Weight per piece (12 pole) | 49.1 g | 98.7 g | 99.3 g |

Technical Data/Ratings

| | | | | | | |
|-------------------------|------------------------------|-----------|----------------------|----------|----------------------|----------|
| Approvals | | | | | | |
| | Wire Size (solid / stranded) | 20-10 AWG | 4-6 mm ² | 18-8 AWG | 6-10 mm ² | 18-6 AWG |
| Voltage Rating | 600 V | 500 V | 600 V | 500 V | 600 V | 500 V |
| Current Rating | 40 A | 16 A | 50 A | 25 A | 63 A | 35 A |
| Torque | 7.0 lb-in | 0.55 Nm | 7.6 lb-in | 0.84 Nm | 17.7 lb-in | 1.4 Nm |
| Insulation Material | Polyamide 66/6 V0 | | Polyamide 66/6 V0 | | Polyamide 66/6 V0 | |
| Insert Material | Tinned Brass | | Tinned Brass | | Tinned Brass | |
| Terminal Screw Material | Blue Chromated Steel | | Blue Chromated Steel | | Blue Chromated Steel | |

Installation Instructions

| | | | |
|------------------------|--------|--------|--------|
| Wire Stripping Length | 5 mm | 6 mm | 6 mm |
| Mounting Hole Diameter | 4.2 mm | 4.5 mm | 4.5 mm |
| Terminal Screw Size | M3.5 | M4 | M5 |

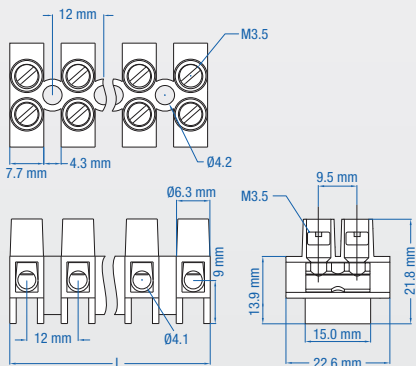
Terminal Strips

| | Cat. No. | Length | Std. Pk. | Cat. No. | Length | Std. Pk. | Cat. No. | Length | Std. Pk. |
|---------|------------|----------|----------|-------------|----------|----------|-------------|----------|----------|
| 2 pole | HE6HWPR/02 | 19.8 mm | 100 | HE10HWPR/02 | 24.2 mm | 40 | HE16HWPR/02 | 24.2 mm | 40 |
| 3 pole | HE6HWPR/03 | 31.8 mm | 100 | HE10HWPR/03 | 39.2 mm | 40 | HE16HWPR/03 | 39.2 mm | 40 |
| 4 pole | HE6HWPR/04 | 43.8 mm | 100 | HE10HWPR/04 | 54.2 mm | 40 | HE16HWPR/04 | 54.2 mm | 40 |
| 5 pole | HE6HWPR/05 | 55.8 mm | 100 | HE10HWPR/05 | 69.2 mm | 40 | HE16HWPR/05 | 69.2 mm | 40 |
| 6 pole | HE6HWPR/06 | 67.8 mm | 50 | HE10HWPR/06 | 84.2 mm | 20 | HE16HWPR/06 | 84.2 mm | 20 |
| 7 pole | HE6HWPR/07 | 79.8 mm | 50 | HE10HWPR/07 | 99.2 mm | 20 | HE16HWPR/07 | 99.2 mm | 20 |
| 8 pole | HE6HWPR/08 | 91.8 mm | 50 | HE10HWPR/08 | 114.2 mm | 20 | HE16HWPR/08 | 114.2 mm | 20 |
| 9 pole | HE6HWPR/09 | 103.8 mm | 50 | HE10HWPR/09 | 129.2 mm | 10 | HE16HWPR/09 | 129.2 mm | 10 |
| 10 pole | HE6HWPR/10 | 115.8 mm | 25 | HE10HWPR/10 | 144.2 mm | 10 | HE16HWPR/10 | 144.2 mm | 10 |
| 11 pole | HE6HWPR/11 | 127.8 mm | 25 | HE10HWPR/11 | 159.2 mm | 10 | HE16HWPR/11 | 159.2 mm | 10 |
| 12 pole | HE6HWPR/12 | 139.8 mm | 25 | HE10HWPR/12 | 174.2 mm | 10 | HE16HWPR/12 | 174.2 mm | 10 |

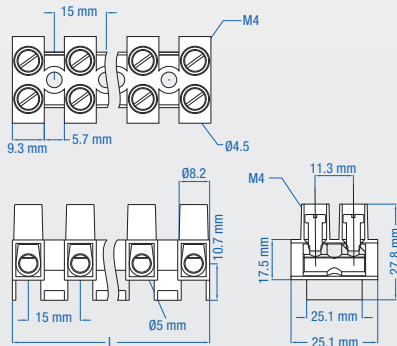
Accessories

| | Cat. No. | Std. Pk. | Cat. No. | Std. Pk. | Cat. No. | Std. Pk. | |
|---------------------|----------------|-------------|----------|----------|----------|----------|-----|
| External Jumpers | 2 pole | HCL12-2 | 100 | HCL15-2 | 100 | HCL15-2 | 100 |
| | 3 pole | HCL12-3 | 100 | HCL15-3 | 100 | HCL15-3 | 100 |
| | 4 pole | HCL12-4 | 100 | HCL15-4 | 100 | HCL15-4 | 100 |
| | 12 pole | HCL12-12 | 25 | HCL15-12 | 25 | HCL15-12 | 25 |
| | Marking Plates | Blank | BS60E | 25 | - | - | - |
| No. 1-12 | | BS60EM1-12 | 25 | - | - | - | |
| No. 13-24 | | BS60EM13-24 | 25 | - | - | - | |
| Isolation Partition | HEP4/6H | 5 | - | - | - | | |
| Mounting Pins | H6 | 50 | - | - | - | | |

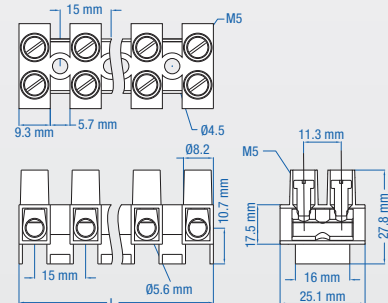
HE6H DIMENSIONS



HE10H DIMENSIONS



HE16H DIMENSIONS



(All dimensions are shown in mm, to convert to inches please divide by 25.4)

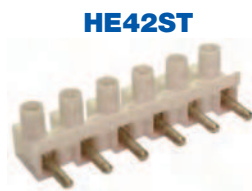
HIGHLIGHTS

FEATURES

- Plug & Socket
- Cost effective reliable wire-to-wire solution
- Easy to use double-row terminal strips
- Panel mount or free float
- Finger safe metal parts
- Wire protector
- easy to cut to required pole configuration
- Pre cut version in stock
- 300V / 600V up to 63A
- Color: white

APPLICATIONS

- HVAC
- Appliances
- Equipment
- Power Distribution
- Junction Boxes
- Cost effective alternative to barrier strips



Dimensions & Weight

| | | |
|----------------------------|--------|--------|
| Pitch Spacing | 10 mm | 10 mm |
| Weight per piece (12 pole) | 30.6 g | 30.4 g |

Technical Data/Ratings

| | | | | | | |
|-------------------------|------------------------------|----------------------|----------------------------------|-----------------------|----------------------------------|-----------------------|
| Approvals | CE | F | c UL US E211022 | IEC 60998-2-1 | c UL US E211022 | IEC 60998-2-1 |
| | Wire Size (solid / stranded) | | 24-10 AWG | 2.5-4 mm ² | 24-10 AWG | 2.5-4 mm ² |
| Voltage Rating | | 300 V | 400 V | 300 V | 400 V | 400 V |
| Current Rating | | 20 A | 10 A | 20 A | 10 A | 10 A |
| Torque | | 7.0 lb-in | 0.4 Nm | 7.0 lb-in | 0.4 Nm | 0.4 Nm |
| Insulation Material | | Polyamide 66/6 V0 | | Polyamide 66/6 V0 | | Polyamide 66/6 V0 |
| Insert Material | | Tinned Brass | | Tinned Brass | | Tinned Brass |
| Terminal Screw Material | | Blue Chromated Steel | | Blue Chromated Steel | | Blue Chromated Steel |

Installation Instructions

| | | |
|------------------------|--------|--------|
| Wire Stripping Length | 7 mm | 6 mm |
| Mounting Hole Diameter | 3.0 mm | 3.6 mm |
| Terminal Screw Size | M2.6 | M3 |

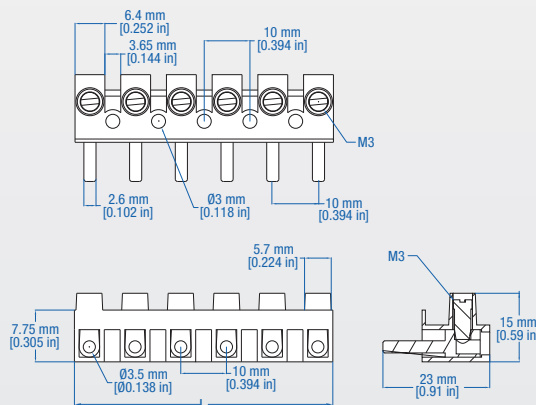
Terminal Strips

| | Cat. No. | Length | Std. Pk. | Cat. No. | Length | Std. Pk. |
|---------|-----------|----------|----------|-----------|----------|----------|
| 2 pole | HE42ST/02 | 16.4 mm | 100 | HE42BU/02 | 16.4 mm | 100 |
| 3 pole | HE42ST/03 | 26.4 mm | 100 | HE42BU/03 | 26.4 mm | 100 |
| 4 pole | HE42ST/04 | 36.4 mm | 100 | HE42BU/04 | 36.4 mm | 100 |
| 5 pole | HE42ST/05 | 46.4 mm | 100 | HE42BU/05 | 46.4 mm | 100 |
| 6 pole | HE42ST/06 | 56.4 mm | 50 | HE42BU/06 | 56.4 mm | 50 |
| 7 pole | HE42ST/07 | 66.4 mm | 50 | HE42BU/07 | 66.4 mm | 50 |
| 8 pole | HE42ST/08 | 76.4 mm | 50 | HE42BU/08 | 76.4 mm | 50 |
| 9 pole | HE42ST/09 | 86.4 mm | 50 | HE42BU/09 | 86.4 mm | 50 |
| 10 pole | HE42ST/10 | 96.4 mm | 50 | HE42BU/10 | 96.4 mm | 50 |
| 11 pole | HE42ST/11 | 106.4 mm | 50 | HE42BU/11 | 106.4 mm | 50 |
| 12 pole | HE42ST/12 | 116.4 mm | 50 | HE42BU/12 | 116.4 mm | 50 |

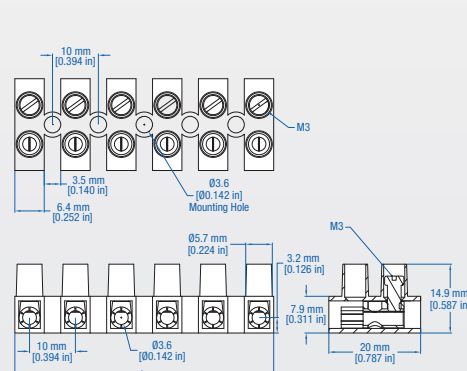
Accessories

| | Cat. No. | Std. Pk. | Cat. No. | Std. Pk. |
|-----------------------|------------------|-------------|-------------|----------|
| External Jumpers | 2 pole HCL10-2 | 100 | HCL10-2 | 100 |
| | 3 pole HCL10-3 | 100 | HCL10-3 | 100 |
| | 4 pole HCL10-4 | 100 | HCL10-4 | 100 |
| | 12 pole HCL10-12 | 25 | HCL10-12 | 25 |
| | Marking Plates | Blank BS24E | 25 | BS24E |
| No. 1-12 BS24EM1-12 | | 25 | BS24EM1-12 | 25 |
| No. 13-24 BS24EM13-24 | | 25 | BS24EM13-24 | 25 |

HE42ST DIMENSIONS



HE42BU DIMENSIONS



(All dimensions are shown in mm, to convert to inches please divide by 25.4)

HE42SST

HE42SBU

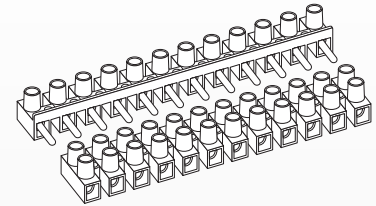


Dimensions & Weight

| | | |
|----------------------------|--------|--------|
| Pitch Spacing | 10 mm | 10 mm |
| Weight per piece (12 pole) | 30.6 g | 30.4 g |

Technical Data/Ratings

| | | | | |
|------------------------------|----------------------|-----------------------|----------------------|-----------------------|
| Approvals | | | | |
| | 24-10 AWG | 2.5-4 mm ² | 24-10 AWG | 2.5-4 mm ² |
| Wire Size (solid / stranded) | 24-10 AWG | 2.5-4 mm ² | 24-10 AWG | 2.5-4 mm ² |
| Voltage Rating | 600 V | 500 V | 600 V | 500 V |
| Current Rating | 20 A | 10 A | 20 A | 10 A |
| Torque | 7.0 lb-in | 0.4 Nm | 7.0 lb-in | 0.4 Nm |
| Insulation Material | Polyamide 66/6 V0 | | Polyamide 66/6 V0 | |
| Insert Material | Tinned Brass | | Tinned Brass | |
| Terminal Screw Material | Blue Chromated Steel | | Blue Chromated Steel | |



Installation Instructions

| | | |
|------------------------|--------|--------|
| Wire Stripping Length | 7 mm | 6 mm |
| Mounting Hole Diameter | 3.0 mm | 3.6 mm |
| Terminal Screw Size | M3.5 | M4 |

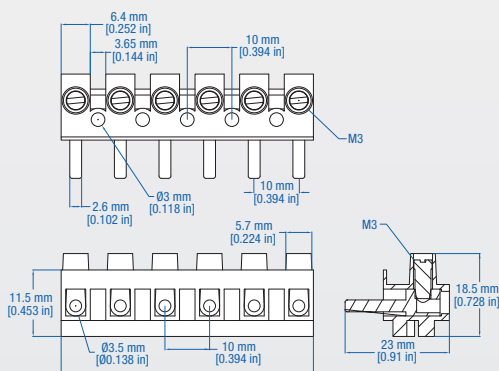
Terminal Strips

| | Cat. No. | Length | Std. Pk. | Cat. No. | Length | Std. Pk. |
|---------|------------|----------|----------|------------|----------|----------|
| 2 pole | HE42SST/02 | 16.4 mm | 100 | HE42SBU/02 | 16.4 mm | 100 |
| 3 pole | HE42SST/03 | 26.4 mm | 100 | HE42SBU/03 | 26.4 mm | 100 |
| 4 pole | HE42SST/04 | 36.4 mm | 100 | HE42SBU/04 | 36.4 mm | 100 |
| 5 pole | HE42SST/05 | 46.4 mm | 100 | HE42SBU/05 | 46.4 mm | 100 |
| 6 pole | HE42SST/06 | 56.4 mm | 50 | HE42SBU/06 | 56.4 mm | 50 |
| 7 pole | HE42SST/07 | 66.4 mm | 50 | HE42SBU/07 | 66.4 mm | 50 |
| 8 pole | HE42SST/08 | 76.4 mm | 50 | HE42SBU/08 | 76.4 mm | 50 |
| 9 pole | HE42SST/09 | 86.4 mm | 50 | HE42SBU/09 | 86.4 mm | 50 |
| 10 pole | HE42SST/10 | 96.4 mm | 50 | HE42SBU/10 | 96.4 mm | 50 |
| 11 pole | HE42SST/11 | 106.4 mm | 50 | HE42SBU/11 | 106.4 mm | 50 |
| 12 pole | HE42SST/12 | 116.4 mm | 50 | HE42SBU/12 | 116.4 mm | 50 |

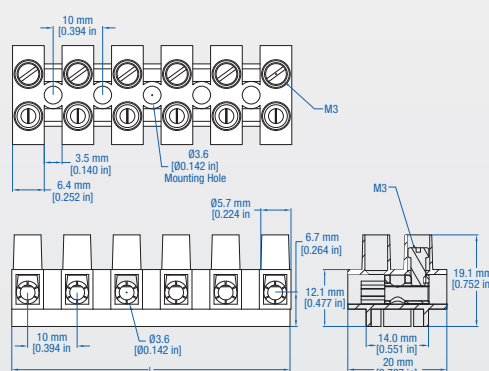
Accessories

| | Cat. No. | Std. Pk. | Cat. No. | Std. Pk. |
|------------------|-----------------------|----------|-------------|----------|
| External Jumpers | 2 pole HCL10-2 | 100 | HCL10-2 | 100 |
| | 3 pole HCL10-3 | 100 | HCL10-3 | 100 |
| | 4 pole HCL10-4 | 100 | HCL10-4 | 100 |
| | 12 pole HCL10-12 | 25 | HCL10-12 | 25 |
| Marking Plates | Blank BS24E | 25 | BS24E | 25 |
| | No. 1-12 BS24EM1-12 | 25 | BS24EM1-12 | 25 |
| | No. 13-24 BS24EM13-24 | 25 | BS24EM13-24 | 25 |

HE42SST DIMENSIONS



HE42SBU DIMENSIONS



(All dimensions are shown in mm, to convert to inches please divide by 25.4)

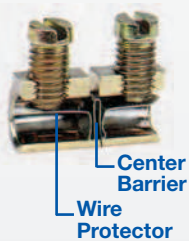
HIGHLIGHTS

FEATURES

- Center Barrier / Wire Protector
- 300V/600V up to 63A
- Cost effective reliable wire-to-wire solution
- Easy to use double-row terminal strips
- Panel mount or free float
- Finger safe metal parts
- Wire protector
- easy to cut to required pole configuration
- Pre cut version in stock
- Color: translucent white

APPLICATIONS

- HVAC
- Appliances
- Equipment
- Power Distribution
- Junction Boxes
- Cost effective alternative to barrier strips



Dimensions & Weight

| | | | |
|----------------------------|------|-------|-------|
| Pitch Spacing | 8 mm | 10 mm | 12 mm |
| Weight per piece (12 pole) | 22 g | 34 g | 44 g |

Technical Data/Ratings

| | | | | | | | | | |
|------------------------------|-----------------------------|-----------|-------------------------|-----------------------------|-----------|-----------------------|-----------------------------|-----------|-----------------------|
| Approvals | CE | FI | EH | | | | | | |
| Wire Size (solid / stranded) | 22-12 AWG | 22-16 AWG | 0.2-1.5 mm ² | 22-10 AWG | 18-12 AWG | 0.2-4 mm ² | 20-8 AWG | 18-10 AWG | 0.2-6 mm ² |
| Voltage Rating | 300 V | 300 V | 400 V | 300 V | 300 V | 400 V | 300 V | 300 V | 400 V |
| Current Rating | 20 A | 15 A | 15 A | 30 A | 30 A | 26 A | 40 A | 40 A | 44 A |
| Torque | 4.4 lb-in / 0.5 Nm | | | 5.3 lb-in / 0.5 Nm | | | 7 lb-in / 0.5 Nm | | |
| Insulation Material | Polyamide 6.6 | | | Polyamide 6.6 | | | Polyamide 6.6 | | |
| Insert Material | Nickel Plated Copper Alloy | | | Nickel Plated Copper Alloy | | | Nickel Plated Copper Alloy | | |
| Terminal Screw Material | Zinc Yellow Chromated Steel | | | Zinc Yellow Chromated Steel | | | Zinc Yellow Chromated Steel | | |

Installation Instructions

| | | | |
|------------------------|----------------|-----------------|-----------------|
| Wire Stripping Length | 5 mm (0.2 in.) | 6 mm (0.24 in.) | 7 mm (0.28 in.) |
| Mounting Hole Diameter | 2.8 mm | 3.5 mm | 4.4 mm |
| Terminal Screw Size | M2.5 | M3 | M3.5 |

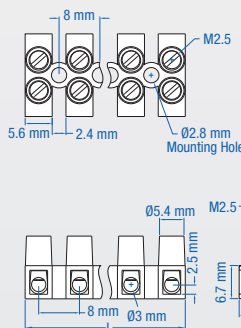
Terminal Blocks

| | Cat. No. | Type | L (mm) | Pk. | Cat. No. | Type | L (mm) | Pk. | Cat. No. | Type | L (mm) | Pk. |
|---------|----------|-----------|---------|-----|----------|-----------|----------|-----|----------|-----------|----------|-----|
| 2 pole | 40.002 | ATS1.5/2 | 13.6 mm | 100 | 40.202 | ATS1.5/2 | 17.0 mm | 100 | 40.402 | ATS1.5/2 | 20.0 mm | 100 |
| 3 pole | 40.003 | ATS1.5/3 | 21.5 mm | 100 | 40.203 | ATS1.5/3 | 27.0 mm | 100 | 40.403 | ATS1.5/3 | 32.0 mm | 100 |
| 4 pole | 40.004 | ATS1.5/4 | 29.5 mm | 100 | 40.204 | ATS1.5/4 | 37.0 mm | 100 | 40.404 | ATS1.5/4 | 44.0 mm | 100 |
| 5 pole | 40.005 | ATS1.5/5 | 37.4 mm | 100 | 40.205 | ATS1.5/5 | 47.0 mm | 100 | 40.405 | ATS1.5/5 | 56.0 mm | 100 |
| 6 pole | 40.006 | ATS1.5/6 | 45.4 mm | 50 | 40.206 | ATS1.5/6 | 57.0 mm | 50 | 40.406 | ATS1.5/6 | 68.0 mm | 50 |
| 7 pole | 40.007 | ATS1.5/7 | 53.3 mm | 50 | 40.207 | ATS1.5/7 | 67.0 mm | 50 | 40.407 | ATS1.5/7 | 80.0 mm | 50 |
| 8 pole | 40.008 | ATS1.5/8 | 61.3 mm | 50 | 40.208 | ATS1.5/8 | 77.0 mm | 50 | 40.408 | ATS1.5/8 | 92.0 mm | 50 |
| 9 pole | 40.009 | ATS1.5/9 | 69.2 mm | 50 | 40.209 | ATS1.5/9 | 87.0 mm | 50 | 40.409 | ATS1.5/9 | 104.0 mm | 50 |
| 10 pole | 40.010 | ATS1.5/10 | 77.2 mm | 50 | 40.210 | ATS1.5/10 | 97.0 mm | 50 | 40.410 | ATS1.5/10 | 116.0 mm | 50 |
| 11 pole | 40.011 | ATS1.5/11 | 85.1 mm | 50 | 40.211 | ATS1.5/11 | 107.0 mm | 50 | 40.411 | ATS1.5/11 | 128.0 mm | 50 |
| 12 pole | 40.012 | ATS1.5/12 | 93.0 mm | 50 | 40.212 | ATS1.5/12 | 117.0 mm | 50 | 40.412 | ATS1.5/12 | 140.0 mm | 50 |

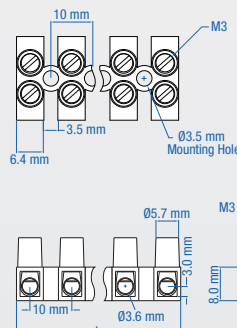
Accessories

| | Cat. No. | Std. Pk. | Cat. No. | Std. Pk. | Cat. No. | Std. Pk. |
|------------------|----------|----------|-------------|----------|-------------|----------|
| External Jumpers | HCL8-2 | 100 | HCL10-2 | 100 | HCL12-2 | 100 |
| | HCL8-3 | 100 | HCL10-3 | 100 | HCL12-3 | 100 |
| | HCL8-4 | 100 | HCL10-4 | 100 | HCL12-4 | 100 |
| | HCL8-12 | 25 | HCL10-12 | 25 | HCL12-12 | 25 |
| Marking Plates | - | - | BS24E | 25 | BS60E | 25 |
| | - | - | BS24EM1-12 | 25 | BS60EM1-12 | 25 |
| | - | - | BS24EM13-24 | 25 | BS60EM13-24 | 25 |

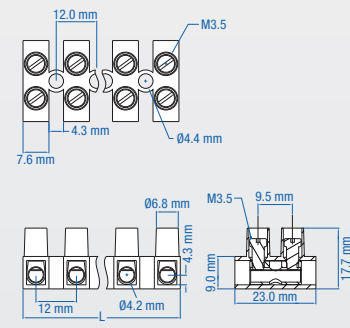
ATS1.5 DIMENSIONS



ATS2.5 DIMENSIONS



ATS6 DIMENSIONS

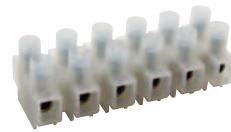


(All dimensions are shown in mm, to convert to inches please divide by 25.4)

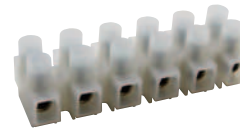
ATSF1.5



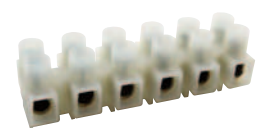
ATSF2.5



ATSF6



ATSF16



Dimensions & Weight

| | | | | |
|----------------------------|------|-------|-------|-------|
| Pitch Spacing | 8 mm | 10 mm | 12 mm | 15 mm |
| Weight per piece (12 pole) | 30 g | 36 g | 50 g | 98 g |

Technical Data/Ratings

| | | | | | | | | | | | | |
|------------------------------|-----------------------------|-----------|-------------------------|-----------------------------|-----------|-----------------------|-----------------------------|-----------|-----------------------|-----------------------------|----------|------------------------|
| Approvals | | | | | | | | | | | | |
| Wire Size (solid / stranded) | 22-12 AWG | 22-16 AWG | 0.2-1.5 mm ² | 22-10 AWG | 18-12 AWG | 0.2-4 mm ² | 20-8 AWG | 18-10 AWG | 0.2-6 mm ² | 14-6 AWG | 18-6 AWG | 0.2-16 mm ² |
| Voltage Rating | 600 V | 600 V | 400 V | 600 V | 600 V | 400 V | 600 V | 600 V | 400 V | 600 V | 600 V | 800 V |
| Current Rating | 20 A | 15 A | 15 A | 30 A | 30 A | 26 A | 40 A | 40 A | 44 A | 63 A | 65 A | 82 A |
| Torque | 4.4 lb-in / 0.5 Nm | | | 5.3 lb-in / 0.6 Nm | | | 7 lb-in / 0.8 Nm | | | 20 lb-in / 2.25 Nm | | |
| Insulation Material | Polyamide 6.6 | | | Polyamide 6.6 | | | Polyamide 6.6 | | | Polyamide 6.6 | | |
| Insert Material | Nickel Plated Copper Alloy | | | Nickel Plated Copper Alloy | | | Nickel Plated Copper Alloy | | | Nickel Plated Copper Alloy | | |
| Terminal Screw Material | Zinc Yellow Chromated Steel | | | Zinc Yellow Chromated Steel | | | Zinc Yellow Chromated Steel | | | Zinc Yellow Chromated Steel | | |

Installation Instructions

| | | | | |
|------------------------|----------------|-----------------|-----------------|-----------------|
| Wire Stripping Length | 5 mm (0.2 in.) | 6 mm (0.24 in.) | 7 mm (0.28 in.) | 8 mm (0.32 in.) |
| Mounting Hole Diameter | 2.8 mm | 3.5 mm | 4.4 mm | 4.2 mm |
| Terminal Screw Size | M2.5 | M3 | M3.5 | M5 |

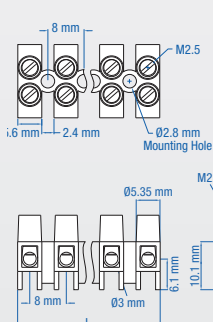
Terminal Blocks

| | Cat. No. | Type | L (mm) | Pk. | Cat. No. | Type | L (mm) | Pk. | Cat. No. | Type | L (mm) | Pk. | Cat. No. | Type | L (mm) | Pk. |
|---------|----------|------------|--------|-----|----------|------------|--------|-----|----------|----------|--------|-----|----------|-----------|--------|-----|
| 2 pole | 40.102 | ATSF1.5/2 | 13.6 | 100 | 40.302 | ATSF2.5/2 | 17.0 | 100 | 40.502 | ATSF6/2 | 20.0 | 100 | 40.702 | ATSF16/2 | 25.0 | 40 |
| 3 pole | 40.103 | ATSF1.5/3 | 21.5 | 100 | 40.303 | ATSF2.5/3 | 27.0 | 100 | 40.503 | ATSF6/3 | 32.0 | 100 | 40.703 | ATSF16/3 | 40.0 | 40 |
| 4 pole | 40.104 | ATSF1.5/4 | 29.5 | 100 | 40.304 | ATSF2.5/4 | 37.0 | 100 | 40.504 | ATSF6/4 | 44.0 | 100 | 40.704 | ATSF16/4 | 55.0 | 40 |
| 5 pole | 40.105 | ATSF1.5/5 | 37.4 | 100 | 40.305 | ATSF2.5/5 | 47.0 | 100 | 40.505 | ATSF6/5 | 56.0 | 100 | 40.705 | ATSF16/5 | 70.5 | 40 |
| 6 pole | 40.106 | ATSF1.5/6 | 45.4 | 50 | 40.306 | ATSF2.5/6 | 57.0 | 50 | 40.506 | ATSF6/6 | 68.0 | 50 | 40.706 | ATSF16/6 | 86.0 | 20 |
| 7 pole | 40.107 | ATSF1.5/7 | 53.3 | 50 | 40.307 | ATSF2.5/7 | 67.0 | 50 | 40.507 | ATSF6/7 | 80.0 | 50 | 40.707 | ATSF16/7 | 101.0 | 20 |
| 8 pole | 40.108 | ATSF1.5/8 | 61.3 | 50 | 40.308 | ATSF2.5/8 | 77.0 | 50 | 40.508 | ATSF6/8 | 92.0 | 50 | 40.708 | ATSF16/8 | 116.0 | 20 |
| 9 pole | 40.109 | ATSF1.5/9 | 69.2 | 50 | 40.309 | ATSF2.5/9 | 87.0 | 50 | 40.509 | ATSF6/9 | 104.0 | 50 | 40.709 | ATSF16/9 | 131.0 | 10 |
| 10 pole | 40.110 | ATSF1.5/10 | 77.2 | 50 | 40.310 | ATSF2.5/10 | 97.0 | 50 | 40.510 | ATSF6/10 | 116.0 | 25 | 40.710 | ATSF16/10 | 146.0 | 10 |
| 11 pole | 40.111 | ATSF1.5/11 | 85.1 | 50 | 40.311 | ATSF2.5/11 | 197.0 | 50 | 40.511 | ATSF6/11 | 128.0 | 25 | 40.711 | ATSF16/11 | 161.0 | 10 |
| 12 pole | 40.112 | ATSF1.5/12 | 93.0 | 50 | 40.312 | ATSF2.5/12 | 117.0 | 50 | 40.512 | ATSF6/12 | 140.0 | 25 | 40.712 | ATSF16/12 | 176.0 | 10 |

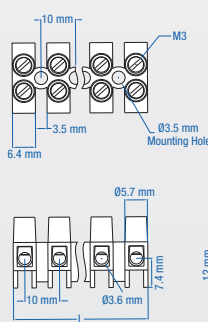
Accessories

| | Cat. No. | Std. Pk. | Cat. No. | Std. Pk. | Cat. No. | Std. Pk. | Cat. No. | Std. Pk. |
|---------------------|----------|----------|-------------|----------|-------------|----------|---------------|----------|
| External Jumpers | HCL8-2 | 100 | HCL10-2 | 100 | HCL12-2 | 100 | HCL15-2 | 100 |
| | HCL8-3 | 100 | HCL10-3 | 100 | HCL12-3 | 100 | HCL15-3 | 100 |
| | HCL8-4 | 100 | HCL10-4 | 100 | HCL12-4 | 100 | HCL15-4 | 100 |
| | HCL8-12 | 25 | HCL10-12 | 25 | HCL12-12 | 25 | HCL15-12 | 25 |
| Isolation Partition | - | - | HEP4/6H | 5 | HEP4/6H | 5 | - | - |
| Mounting Pins | - | - | H4 | 50 | H6 | 50 | - | - |
| Marking Plates | - | - | BS24E | 25 | BS60E | 25 | BS1016E | 25 |
| | - | - | BS24EM1-12 | 25 | BS60EM1-12 | 25 | BS1016EM1-12 | 25 |
| | - | - | BS24EM13-24 | 25 | BS60EM13-24 | 25 | BS1016EM13-24 | 25 |

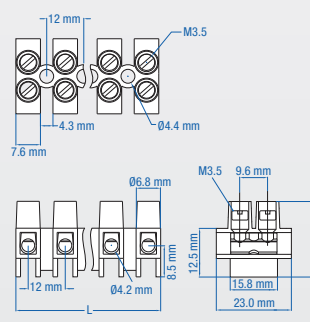
ATSF1.5 DIMENSIONS



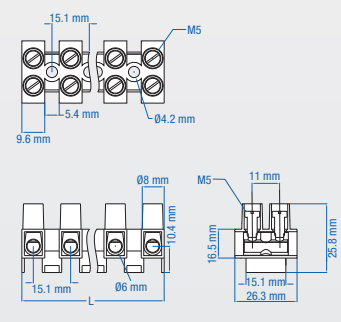
ATSF2.5 DIMENSIONS



ATSF6 DIMENSIONS



ATSF16 DIMENSIONS



(All dimensions are shown in mm, to convert to inches please divide by 25.4)

HIGHLIGHTS

EXTERNAL JUMPERS

- Bus potential between poles on terminal Strips
- Eliminates Wire Jumpers
- Less wiring Time
- Material: Copper Alloy nickel plated (pins)
Polyamide 66 (Insulation)
- Color: Black

ISOLATION PARTITION

- Separation between adjacent poles of different potentials
- Visual separation of poles
- Better circuit Identification
- Increasing wiring efficiency
- Material: Polyamide 66
- Color: black

EXTERNAL JUMPERS



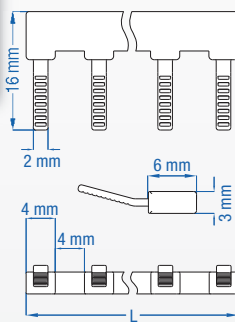
Technical Information

| External Jumper | HCL8 | HCL10 | HCL12 | HCL15 |
|-----------------|------------------|-------------------|-------------------|--------------------------|
| Eurostrip | HE1, HE1H | HE4, HE4HN | HE6, HE6H | HE10, HE16, HE10H, HE16H |
| Pole Spacing | 8 mm (0.315 in.) | 10 mm (0.394 in.) | 12 mm (0.472 in.) | 15 mm (0.591 in.) |

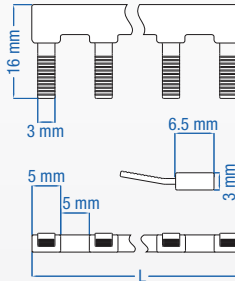
Ordering Information

| | Cat. No. | Length | Std. Pk. | Cat. No. | Length | Std. Pk. | Cat. No. | Length | Std. Pk. | Cat. No. | Length | Std. Pk. |
|---------|----------|--------|----------|----------|--------|----------|----------|--------|----------|----------|--------|----------|
| 2 pole | HCL8-2 | 12 mm | 100 | HCL10-2 | 15 mm | 100 | HCL12-2 | 18 mm | 100 | HCL15-2 | 20 mm | 100 |
| 3 pole | HCL8-3 | 20 mm | 100 | HCL10-3 | 25 mm | 100 | HCL12-3 | 30 mm | 100 | HCL15-3 | 35 mm | 100 |
| 4 pole | HCL8-4 | 28 mm | 100 | HCL10-4 | 35 mm | 100 | HCL12-4 | 42 mm | 100 | HCL15-4 | 50 mm | 100 |
| 12 pole | HCL8-12 | 92 mm | 25 | HCL10-12 | 115 mm | 25 | HCL12-12 | 138 mm | 25 | HCL15-12 | 170 mm | 25 |

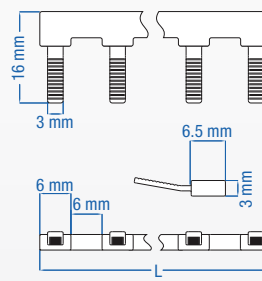
HCL8



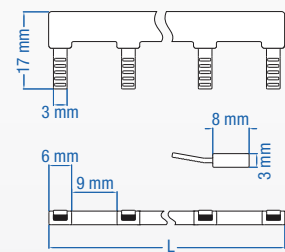
HCL10



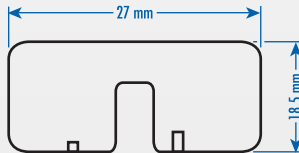
HCL12



HCL15



ISOLATION PARTITIONS



For Eurostrip HE4HN, HE6H, TSF2.5, TSF6

| Cat. No. | Dimensions | Std. Pk. |
|----------|--------------------|----------|
| HEP4/16H | 27 x 18.5 x 3.4 mm | 5 |

(All dimensions are shown in mm, to convert to inches please divide by 25.4)

ACCESSORIES

MOUNTING PINS

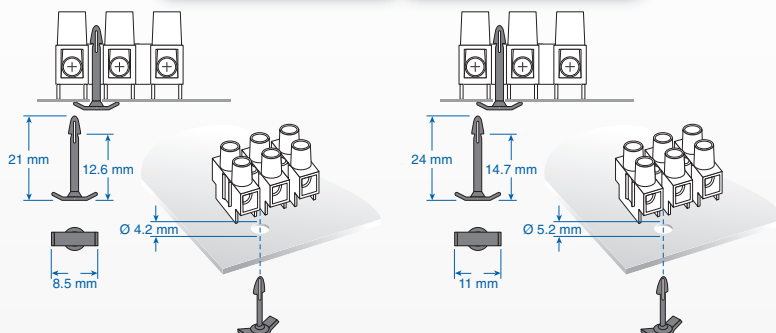


Technical Information

| Mounting Pins | H4 | H6 |
|-----------------|------------|------------|
| Eurostrip Type | HE4HN | HE6H |
| Panel Thickness | 0.5-1.5 mm | 0.8-1.8 mm |
| Drill Hole Size | Ø4.2 mm | Ø5.2mm |

Ordering Information

| Cat. No. | Std. Pk. | Cat. No. | Std. Pk. |
|----------|----------|----------|----------|
| H4 | 50 | H6 | 50 |



MARKING PLATES



Dimensions & Weight

| Eurostrip Type | HE4, HE4HN | HE6, HE6H | HE10, HE10H, HE16, HE16H |
|----------------|------------|-----------|--------------------------|
|----------------|------------|-----------|--------------------------|

Ordering Information

| | Cat. No. | Std. Pk. | Cat. No. | Std. Pk. | Cat. No. | Std. Pk. |
|-------|-------------|----------|-------------|----------|---------------|----------|
| Blank | BS24E | 25 | BS60E | 25 | BS1016E | 25 |
| 1-12 | BS24EM1-12 | 25 | BS60EM1-12 | 25 | BS1016EM1-12 | 25 |
| 13-24 | BS24EM13-24 | 25 | BS60EM13-24 | 25 | BS1016EM13-24 | 25 |

HIGHLIGHTS

MOUNTING PINS

- Faster Panel Mounting with snap-on mounting pins
- Installation
 - 1) Insert Pin through drilled hole
 - 2) Position Eurostrip on mounting pin
 - 3) Snap Eurostrip onto Mounting Pins
- Use 2 or more pins per Eurostrip
- Material: Polycarbonate

MARKING PLATES

- Install Mounting Plate under or on top of Eurostrip
- Easy identification of individual pole positions for more wiring efficiency
- Less installation time
- Blank marking plates for hand-marking
- Imprinted Marking Plates (No. 1-12, 13-24)
- Material: PVC
- Color: white with black imprint

Imprinting

- Mark individual pole positions
- Marking saves installation Time
- Marking on turret location
- Consecutive, identical or custom imprints
- Specify imprinting in part#
- Imprint: black ink, rub-resistant
- 500pcs MOQ

IMPRINTING

Imprint Example



HE10HWPR/06/1-6

Order Examples

Ordering Information

| | Cat. No. | Std. Pk. |
|-----------------|-----------------|----------|
| Consecutive 1-6 | HE10HWPR/06/1-6 | 500 |
| Consecutive 8-1 | HE1WPR/08/8-1 | 500 |
| Identical | HE6WPR/12/1 | 500 |

For custom imprints please contact Altech.

(All dimensions are shown in mm, to convert to inches please divide by 25.4)