



Chipsmall Limited consists of a professional team with an average of over 10 year of expertise in the distribution of electronic components. Based in Hongkong, we have already established firm and mutual-benefit business relationships with customers from,Europe,America and south Asia,supplying obsolete and hard-to-find components to meet their specific needs.

With the principle of "Quality Parts,Customers Priority,Honest Operation,and Considerate Service",our business mainly focus on the distribution of electronic components. Line cards we deal with include Microchip,ALPS,ROHM,Xilinx,Pulse,ON,Everlight and Freescale. Main products comprise IC,Modules,Potentiometer,IC Socket,Relay,Connector.Our parts cover such applications as commercial,industrial, and automotives areas.

We are looking forward to setting up business relationship with you and hope to provide you with the best service and solution. Let us make a better world for our industry!



## Contact us

Tel: +86-755-8981 8866 Fax: +86-755-8427 6832

Email & Skype: info@chipsmall.com Web: www.chipsmall.com

Address: A1208, Overseas Decoration Building, #122 Zhenhua RD., Futian, Shenzhen, China



# AT-CUT CRYSTAL UNIT (SMD • Metal-can Type)

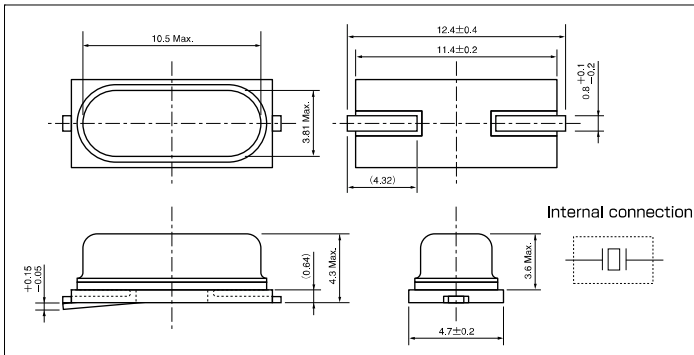
RoHS compliant **HCM49** 1000pcs/reel



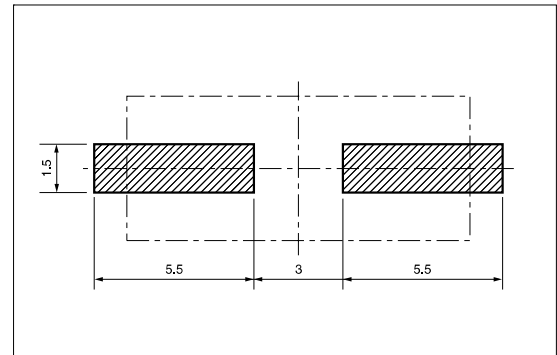
## FEATURES

- Surface mount type of metal-can HC-49/U-S. High performance with the resistance weld sealing.
- Suitable for various applications such as communication devices, AV devices and measuring instruments.

## DIMENSION [mm]



## SOLDER PAD LAYOUT [mm]



## STANDARD SPECIFICATIONS

Item	Model	HCM49	Conditions
Nominal Frequency	f <sub>0</sub>	3.5MHz~30.0MHz (Fundamental)	Need to contact us for the available frequency
		30.0MHz~50.0MHz (3rd Overtone)	
Frequency Tolerance	Δ f/f <sub>0</sub>	±30ppm	at 25°C
Frequency Tolerance over Operating Temperature Range	Δ f/f <sub>0</sub>	below 6.0MHz:±50ppm	-10°C~+60°C
		above 6.0MHz:±30ppm	
Operating Temperature Range	T <sub>OPR</sub>	-40°C~+85°C	
Storage Temperature Range	T <sub>STR</sub>	-55°C~+125°C	
Motional (series) resistance	R <sub>1</sub>	Refer to the following table	at 25°C
Load capacitance	C <sub>L</sub>	Fundamental:10.0pF~∞ 3rd Overtone:5.0pF~∞	Need to specify your requirement
Shunt capacitance	C <sub>0</sub>	7.0pF Max.	
Level of drive	DL	100 μW	
Insulation Resistance	I <sub>R</sub>	500MΩ Min.	DC100V±15V
Aging (first year)	Δ f/f <sub>0</sub>	±5ppm Max.	25°C±3°C

## MOTIONAL (SERIES) RESISTANCE (R<sub>1</sub>)

Frequency Range	3.5MHz≤f <sub>0</sub> <4.0MHz	4.0MHz≤f <sub>0</sub> <6.0MHz	6.0MHz≤f <sub>0</sub> <10MHz	10MHz≤f <sub>0</sub> <14MHz	14MHz≤f <sub>0</sub> <30MHz	30MHz≤f <sub>0</sub> <36MHz	36MHz≤f <sub>0</sub> ≤50MHz
Mode	Fundamental	Fundamental	Fundamental	Fundamental	Fundamental	3rd Overtone	3rd Overtone
R <sub>1</sub>	200 Ω Max.	150 Ω Max.	100 Ω Max.	80 Ω Max.	50 Ω Max.	140 Ω Max.	100 Ω Max.