



Chipsmall Limited consists of a professional team with an average of over 10 year of expertise in the distribution of electronic components. Based in Hongkong, we have already established firm and mutual-benefit business relationships with customers from,Europe,America and south Asia,supplying obsolete and hard-to-find components to meet their specific needs.

With the principle of “Quality Parts,Customers Priority,Honest Operation,and Considerate Service”,our business mainly focus on the distribution of electronic components. Line cards we deal with include Microchip,ALPS,ROHM,Xilinx,Pulse,ON,Everlight and Freescale. Main products comprise IC,Modules,Potentiometer,IC Socket,Relay,Connector.Our parts cover such applications as commercial,industrial, and automotives areas.

We are looking forward to setting up business relationship with you and hope to provide you with the best service and solution. Let us make a better world for our industry!



Contact us

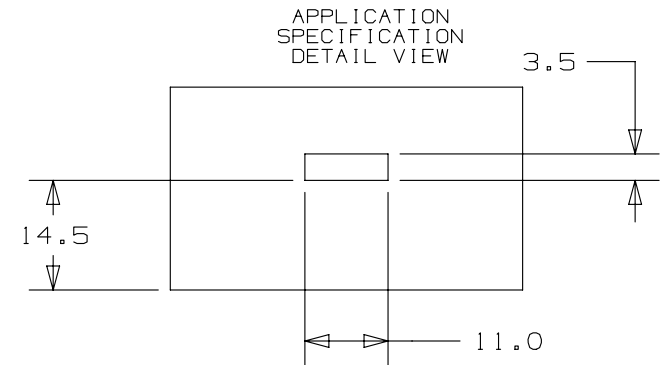
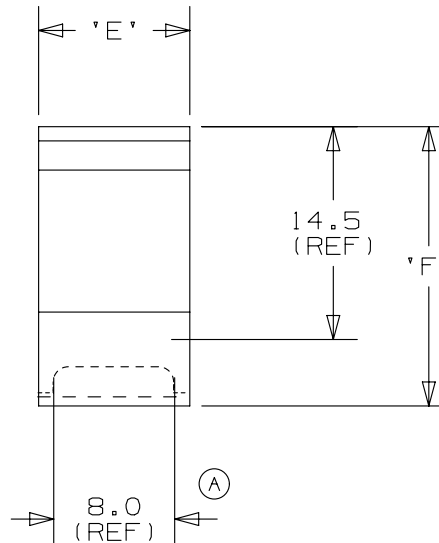
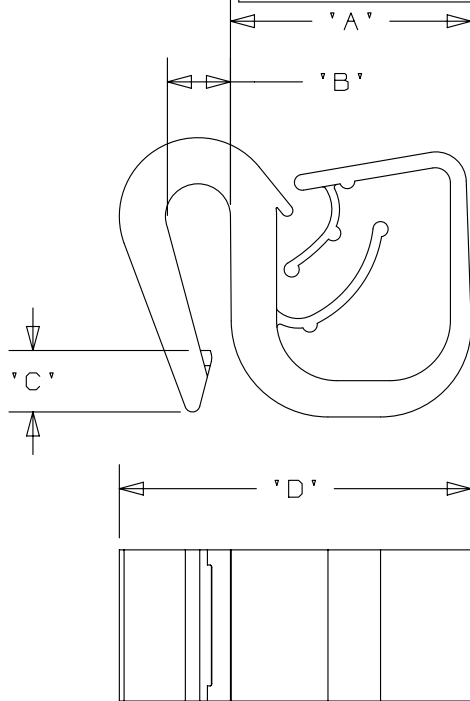
Tel: +86-755-8981 8866 Fax: +86-755-8427 6832

Email & Skype: info@chipsmall.com Web: www.chipsmall.com

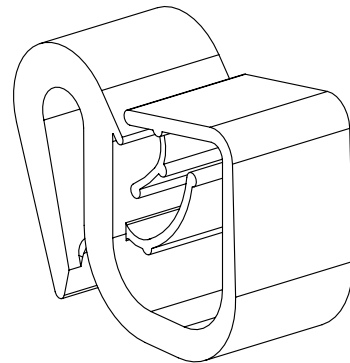
Address: A1208, Overseas Decoration Building, #122 Zhenhua RD., Futian, Shenzhen, China



PANDUIT PART NO.	BUNDLE DIA MIN-MAX.	DIMENSIONS						MATERIAL	COLOR	WEIGHT	
		'A'	'B'	'C'	'D'	'E'	'F'			grams	100 pcs
HCME04Y09--...20	4 - 9	16.5	4.2	4.5	23.2	10	19.2	NYLON 6/6	BLACK	250	
HCME04Y09--...30								HEAT STABILIZED NYLON 6/6			
HCME04Y09--...130		ACETAL									



- NOTES:
- REFER TO CURRENT PRICE SHEET FOR PART NUMBER SUFFIX DESIGNATION FOR PACKAGE SIZE, AND COLOR.
 - (*) DIMENSIONAL VARIANCE IS POSSIBLE DUE TO MOLDING PROCESS RELATED SINKMARKS.
 - APPLICATION SPECIFICATIONS:
RECTANGULAR HOLE: 3.5 x 11.0 mm
PANEL THICKNESS: 0.8 - 4.0 mm



TITLE		HARNESS CLIP FOR EDGE MOUNT		(A)
CUSTOMER DRAWING				
ITEM REVISION NAME	10B015MS/01			
DATASET FILE NAME	10B015MS_DC/01 - GB0239FN_REV04			
UNLESS OTHERWISE SPECIFIED, ALL DIMENSIONS ARE METRIC TOLERANCE: ±0.5 mm		MATERIAL: SEE CHART		
DRAWING NUMBER: GB0239FN				
THIRD ANGLE PROJECTION				
DRAWN BY	DATE	CHK	SCALE	SIZE
JAD	12-11-97		2X	A

REV	DATE	BY	CHK	APR	DESCRIPTION	ECN
04	5/08/14	BWG	MPH	JADE	(A) UPDATED TILE BORDER CORRECTED HOLE SIZE.	GB0239FN/04