



Chipsmall Limited consists of a professional team with an average of over 10 year of expertise in the distribution of electronic components. Based in Hongkong, we have already established firm and mutual-benefit business relationships with customers from,Europe,America and south Asia,supplying obsolete and hard-to-find components to meet their specific needs.

With the principle of “Quality Parts,Customers Priority,Honest Operation,and Considerate Service”,our business mainly focus on the distribution of electronic components. Line cards we deal with include Microchip,ALPS,ROHM,Xilinx,Pulse,ON,Everlight and Freescale. Main products comprise IC,Modules,Potentiometer,IC Socket,Relay,Connector.Our parts cover such applications as commercial,industrial, and automotives areas.

We are looking forward to setting up business relationship with you and hope to provide you with the best service and solution. Let us make a better world for our industry!



Contact us

Tel: +86-755-8981 8866 Fax: +86-755-8427 6832

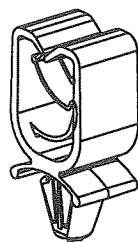
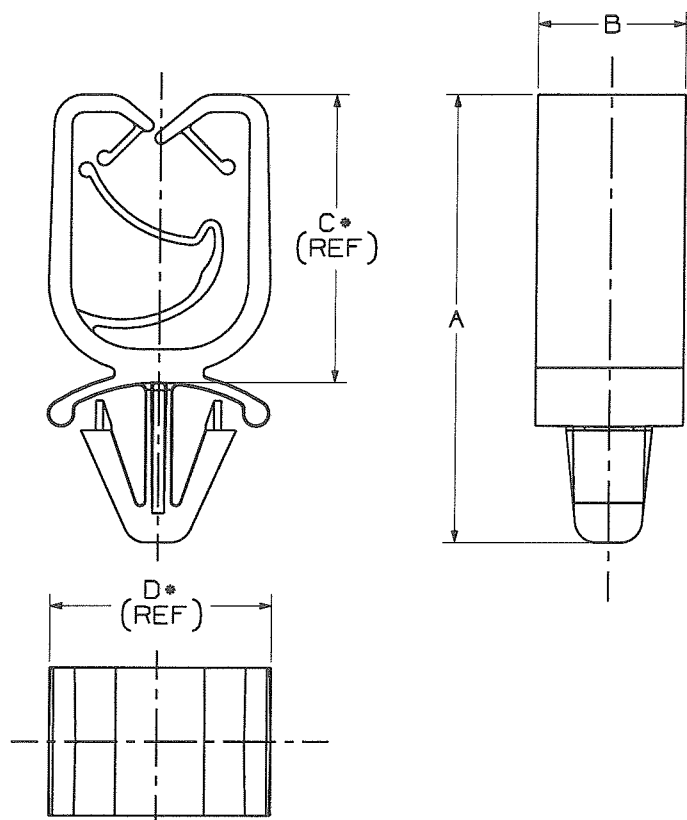
Email & Skype: info@chipsmall.com Web: www.chipsmall.com

Address: A1208, Overseas Decoration Building, #122 Zhenhua RD., Futian, Shenzhen, China



THIS COPY IS PROVIDED ON A RESTRICTED BASIS AND IS NOT TO BE USED IN ANY WAY DETRIMENTAL TO THE INTERESTS OF PANDUIT CORPORATION.

PANDUIT PART NO.	BUNDLE DIA MIN - MAX.	DIMENSIONS						MATERIAL	COLOR	WEIGHT grams 100 pcs
		'A'	'B'	'C' REF	'D' REF					
HCMP06B12-...20	6 - 12	31.6	9.5	19.5	19.0			NYLON 6/6	BLACK	150
HCMP06B12-..130								ACETAL		



SCALE: FULL

NOTES:

1. SEE CURRENT PRICE SHEET FOR PART NUMBER SUFFIX DESIGNATION FOR PACKAGE SIZE, AND COLOR.
2. (*) DIMENSIONAL VARIANCE IS POSSIBLE DUE TO MOLDING PROCESS RELATED SINK MARKS.
3. APPLICATION SPECIFICATION:
HOLE DIAMETER: 6.3 - 7.2 mm
PANEL THICKNESS: 0.6 - 3.0 mm

CAD FILENAME/LAYERS	G01932BE_DC_GB1932BE/04B	
PANDUIT CORP.		TINLEY PARK, ILLINOIS
HARNESS CLIP WITH PUSH MOUNT ANCHOR		
Unless otherwise specified, all dimensions are metric tolerance: ±0.5mm		

REV	DATE	BY	CHK	DESCRIPTION	ECN	R	CUST	SUP	DRAWN BY	MAT'L:	SCALE	DWG NO.	DWG SIZE
04B	7/15/09	ARHA		REMOVED DIMENSIONS, "REF" NOTE FROM DIM 'A'. CHANGED LABELS, DIM A FROM 31.5 TO 31.6.	GB1932BE	04B	KLN		JAD		NONE		
3	4/29/03	JAD		COMPLETELY REVISED, REMOVED GERMAN TEXT	GB1932BE	3			DATE 6-6-98	SEE TABLE		GB1932BE	A
									CHK'D KLN				