



Chipsmall Limited consists of a professional team with an average of over 10 year of expertise in the distribution of electronic components. Based in Hongkong, we have already established firm and mutual-benefit business relationships with customers from,Europe,America and south Asia,supplying obsolete and hard-to-find components to meet their specific needs.

With the principle of "Quality Parts,Customers Priority,Honest Operation,and Considerate Service",our business mainly focus on the distribution of electronic components. Line cards we deal with include Microchip,ALPS,ROHM,Xilinx,Pulse,ON,Everlight and Freescale. Main products comprise IC,Modules,Potentiometer,IC Socket,Relay,Connector.Our parts cover such applications as commercial,industrial, and automotives areas.

We are looking forward to setting up business relationship with you and hope to provide you with the best service and solution. Let us make a better world for our industry!



Contact us

Tel: +86-755-8981 8866 Fax: +86-755-8427 6832

Email & Skype: info@chipsmall.com Web: www.chipsmall.com

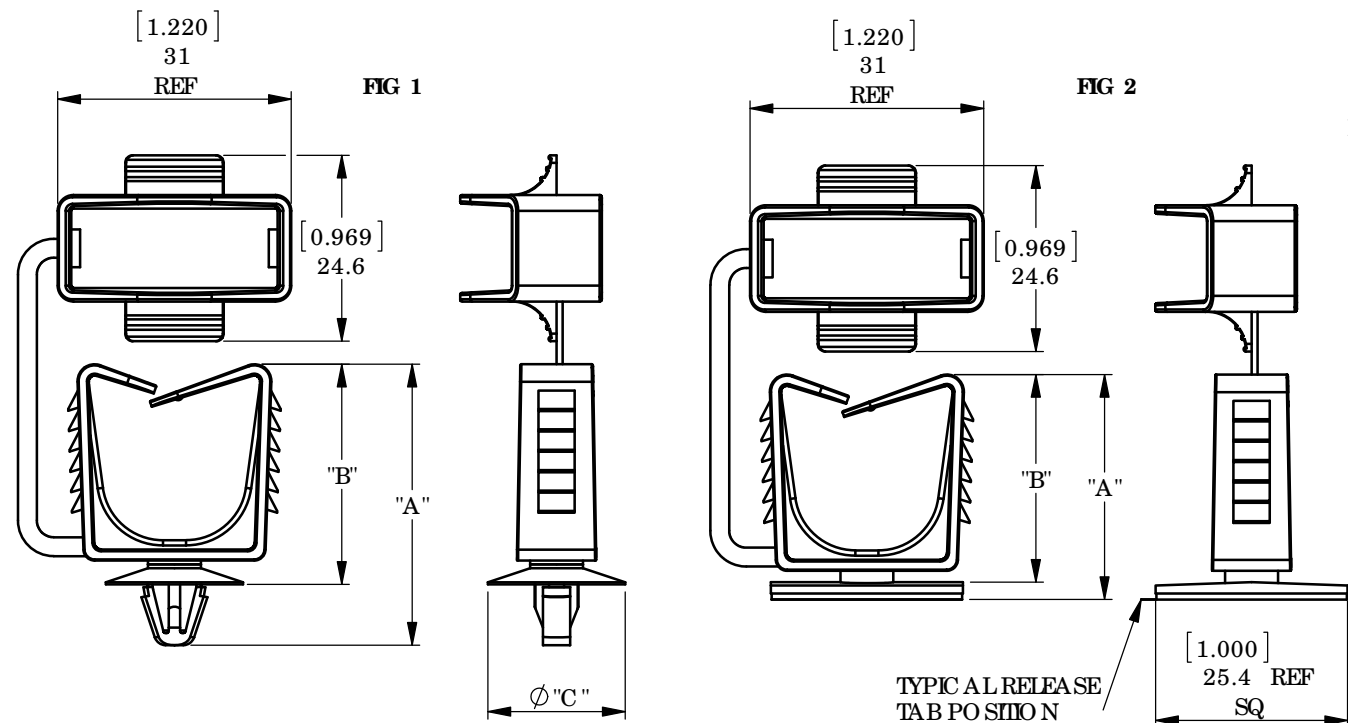
Address: A1208, Overseas Decoration Building, #122 Zhenhua RD., Futian, Shenzhen, China



REV.	MODIFICATION.	DATE	DRN
01	PRODUCTION RELEASE	02/02/12	SF

PART NUMBER	MATERIAL: NYLON 6/6 UL94 V-2 (RMS-01) COLOUR: NATURAL	MATERIAL: NYLON 6/6 UL94 V-2 UV STABILIZED (RMS-46) COLOUR: NATURAL	FIG	"A" REF	"B" MAX	"C"	MOUNTING HOLE	PANEL THICKNESS	CABLE BUNDLE
HC S1-01		HC S1-UVB	1	34[1.338]	29[1.141]	16[.629]	Ø4 - 4.8[.157 - .189]	0.4 - 1.6[.016 - .063]	Ø3 - 16[.118 - .629]
HC S2-01		HC S2-UVB		36.8 [1.448]	28.7[1.129]	18.2[.716]	Ø6 - 6.8[.236 - .267]	0.6 - 2.5[.0236 - .098]	
HC S3-01A4-RT		-	2	29.5[1.16]	27.5[1.082]	-			

ADHESIVE: RMS-24, DOUBLE SIDED ADHESIVE TAPE WITH RELEASE TAB
MATERIAL: NYLON 6/6 UL94 V-0 (RMS-19) COLOUR: NATURAL AVAILABLE BY SPECIAL ORDER.



NOTE:
1. STRAP CAN EITHER BE ON THE LEFT OR RIGHT HAND OF PART

ALTERNATE UNITS FOR REFERENCE ONLY

<small>INFORMATION CONTAINED IN THIS DOCUMENT IS CONFIDENTIAL TO RICHCO INTERNATIONAL Co. Ltd. AND MAY NOT BE DISCLOSED OR REPRODUCED IN WHOLE OR PART WITHOUT THEIR WRITTEN CONSENT.</small>			
RICHCO, INC. WWW.RICHCO-INC.COM		<small>ALL DIMENSIONS IN mm GENERAL TOLERANCES ±0.25 UNLESS OTHERWISE STATED 1 DECIMAL PLACE ±0.25 2 DECIMAL PLACES ±0.10 ANGULAR ±1°</small>	<small>THIRD ANGLE</small>
MATERIAL: SEE TABLE		COLOUR: SEE TABLE	
DESCRIPTION: HINGED CABLE SADDLE		PART No : SEE TABLE	
DRG No : 012-006	PROJECT NUMBER: EU12-0020	Mass:(g) 3.9	SHEET SIZE A4
DRN SF	DATE 03/02/12	CHKD TC	DATE 03/02/12
SCALE NTS		SHEET No . 1 OF 1	