



Chipsmall Limited consists of a professional team with an average of over 10 year of expertise in the distribution of electronic components. Based in Hongkong, we have already established firm and mutual-benefit business relationships with customers from,Europe,America and south Asia,supplying obsolete and hard-to-find components to meet their specific needs.

With the principle of “Quality Parts,Customers Priority,Honest Operation,and Considerate Service”,our business mainly focus on the distribution of electronic components. Line cards we deal with include Microchip,ALPS,ROHM,Xilinx,Pulse,ON,Everlight and Freescale. Main products comprise IC,Modules,Potentiometer,IC Socket,Relay,Connector.Our parts cover such applications as commercial,industrial, and automotives areas.

We are looking forward to setting up business relationship with you and hope to provide you with the best service and solution. Let us make a better world for our industry!



## Contact us

Tel: +86-755-8981 8866 Fax: +86-755-8427 6832

Email & Skype: info@chipsmall.com Web: www.chipsmall.com

Address: A1208, Overseas Decoration Building, #122 Zhenhua RD., Futian, Shenzhen, China





PART NAME

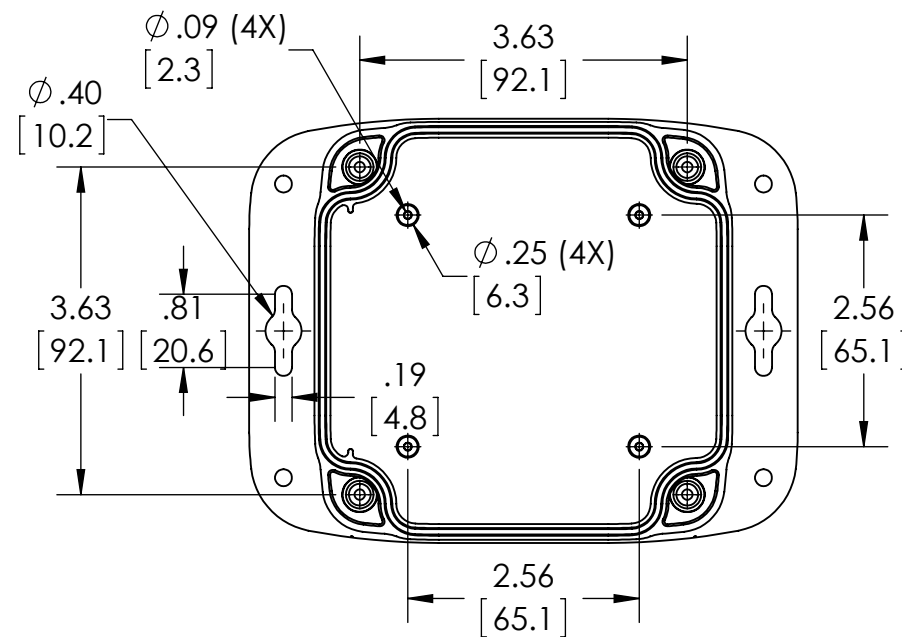
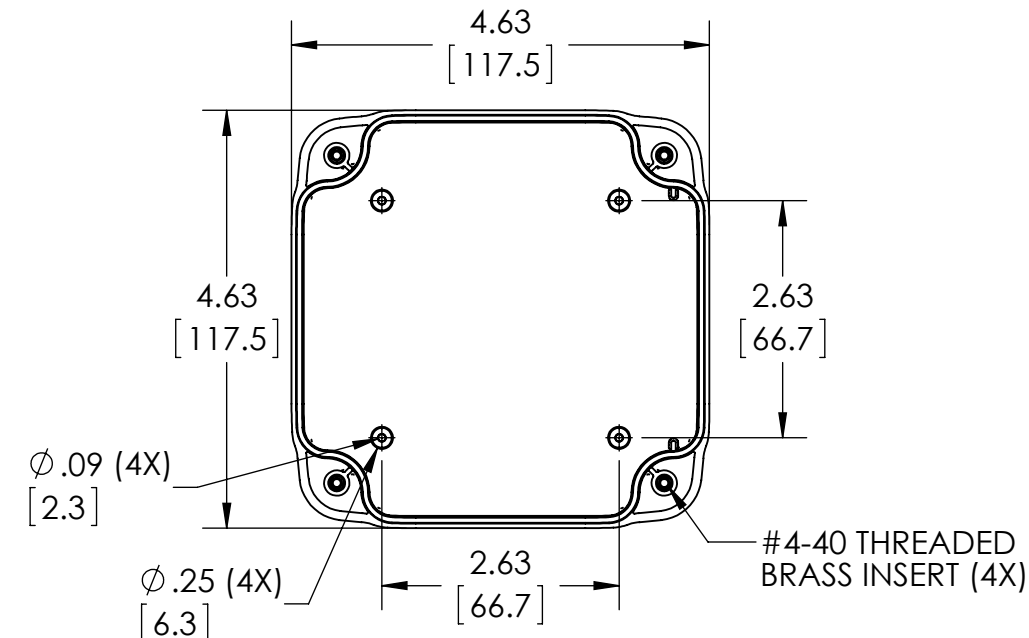
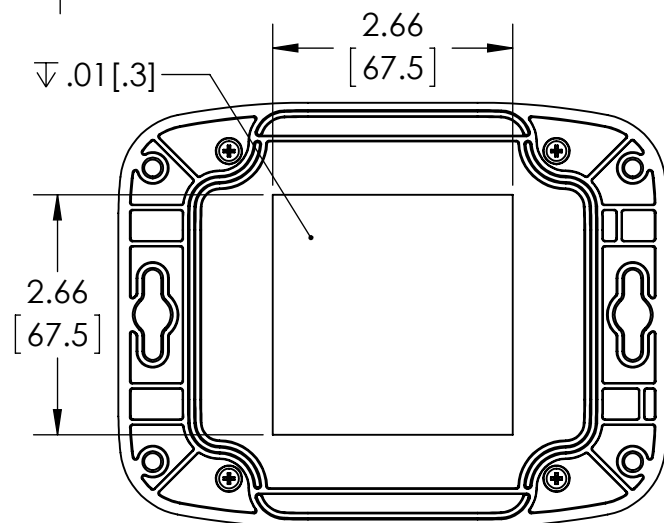
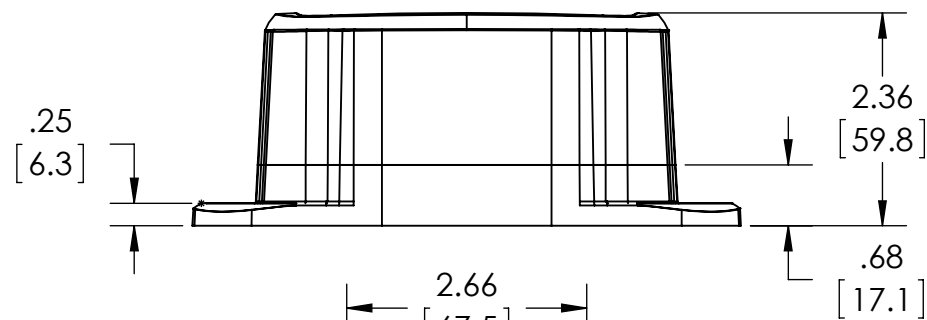
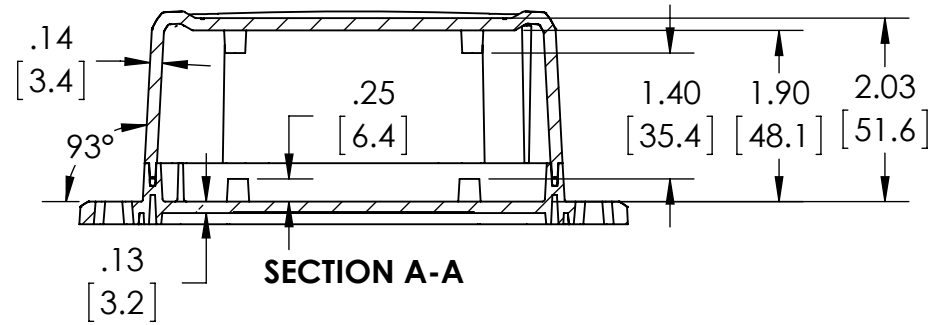
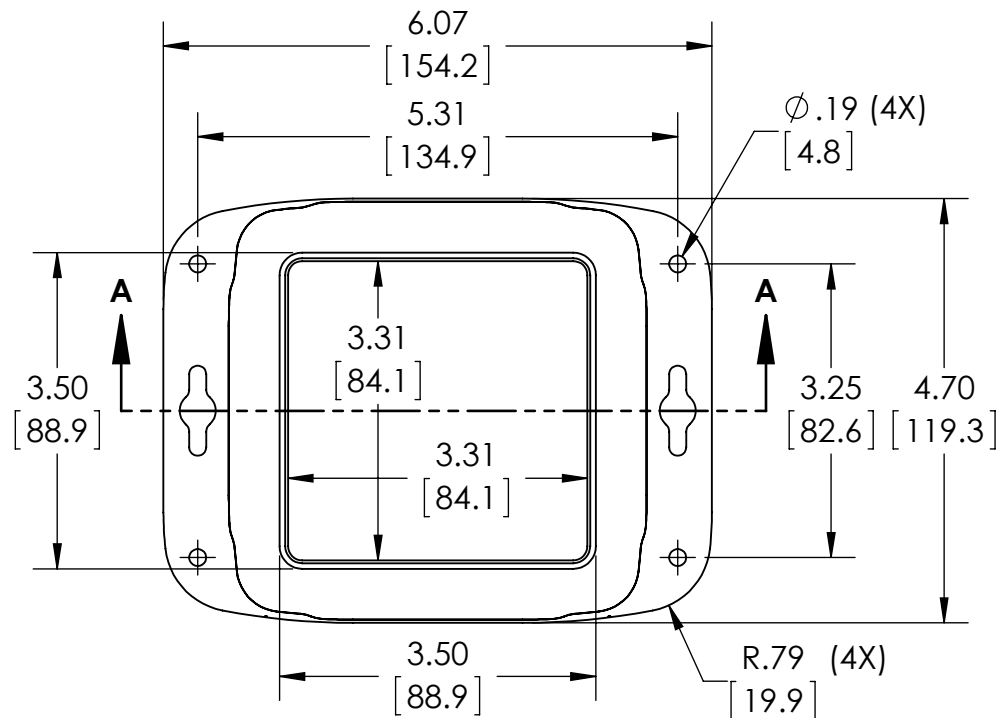
## HEAVY DUTY PLASTIC NEMA BOX

PART No.

HD-7602

REVISION DATE

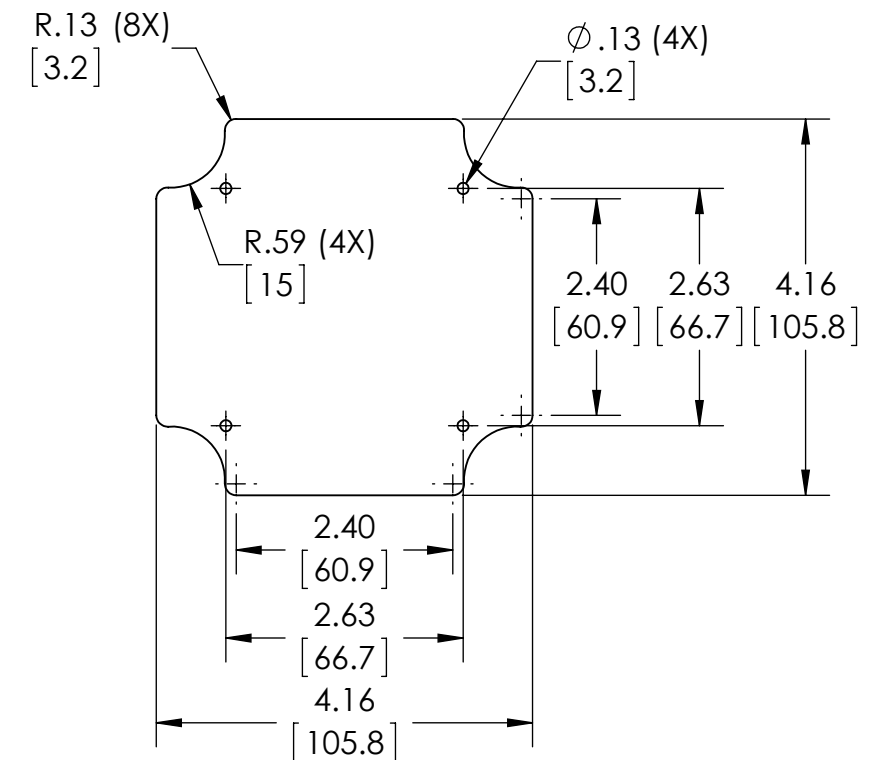
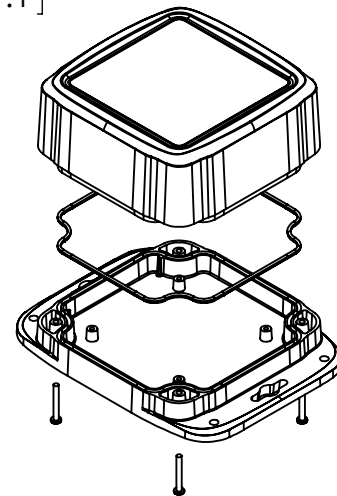
2-23-15



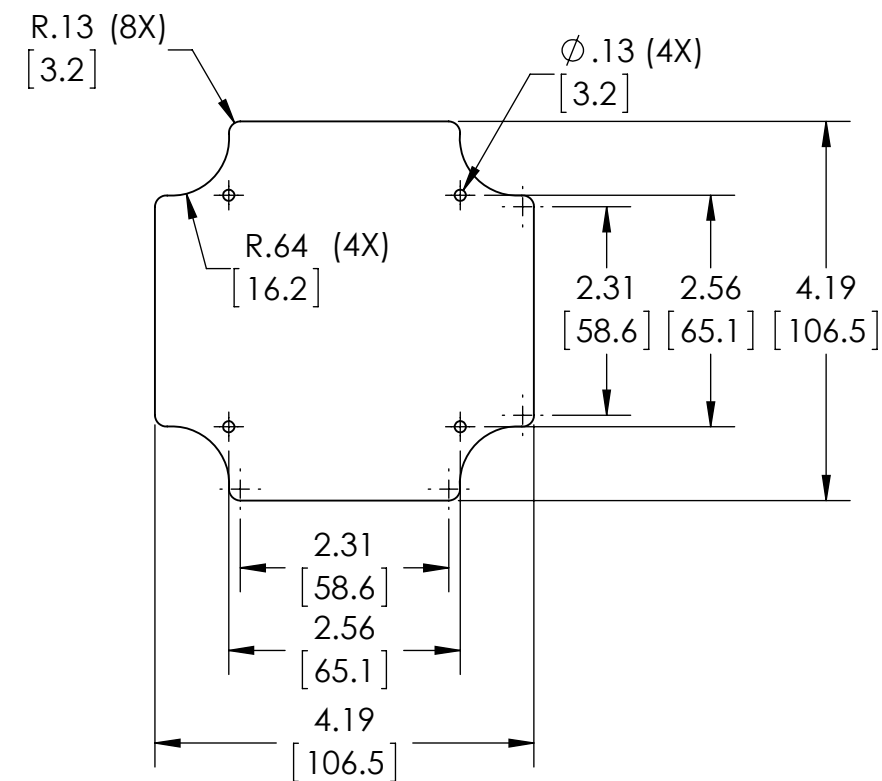
DRAWING FOR REFERENCE

MATERIAL: BASE & COVER - POLYCARBONATE  
UL94V-0 AND UV STABILIZED  
FINISH: TEXTURED BLACK  
GASKET SILICONE RUBBER

ENCLOSURE DESIGNED TO IP 66 OF IEC 529  
AND NEMA 4, 4X, 12, 13  
FOUR (4) #4-40 x 7/8 LG. PAN HEAD STAINLESS  
STEEL SCREWS SUPPLIED FOR ASSEMBLY OF COVER  
RECOMMENDED TORQUE SETTING FOR ASSEMBLY  
SCREWS : 6.25 IN-LBS.  
PCB BOSSES WILL ACCEPT A #4 x 1/4 LG. THREAD  
FORMING SCREW (NOT SUPPLIED)



REFERENCE MAXIMUM COVER P.C.B. SIZE  
SIZES INCLUDE .03 [.8] CLEARANCE FROM INNER WALLS  
AND SCREW TOWERS WHEN UTILIZING THE MOUNTING  
BOSSES IN THE COVER. (P.C.B.S NOT SUPPLIED)



REFERENCE MAXIMUM BASE P.C.B. SIZE