



Chipsmall Limited consists of a professional team with an average of over 10 year of expertise in the distribution of electronic components. Based in Hongkong, we have already established firm and mutual-benefit business relationships with customers from,Europe,America and south Asia,supplying obsolete and hard-to-find components to meet their specific needs.

With the principle of “Quality Parts,Customers Priority,Honest Operation,and Considerate Service”,our business mainly focus on the distribution of electronic components. Line cards we deal with include Microchip,ALPS,ROHM,Xilinx,Pulse,ON,Everlight and Freescale. Main products comprise IC,Modules,Potentiometer,IC Socket,Relay,Connector.Our parts cover such applications as commercial,industrial, and automotives areas.

We are looking forward to setting up business relationship with you and hope to provide you with the best service and solution. Let us make a better world for our industry!



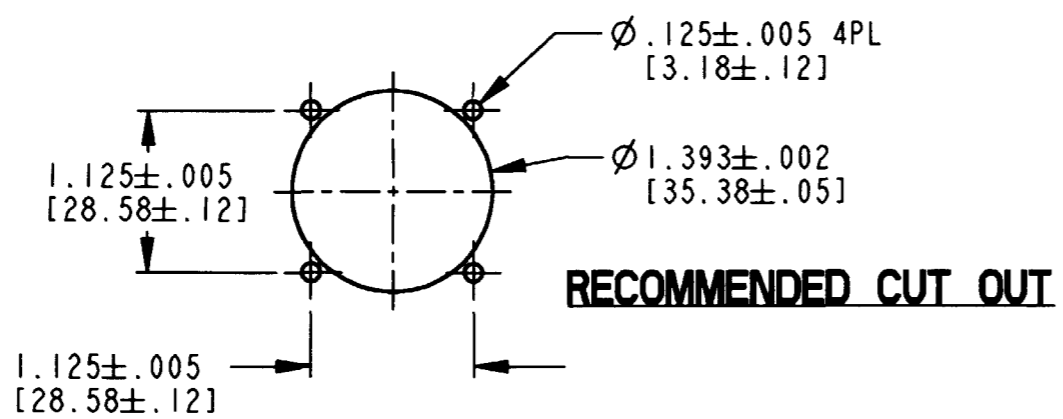
## Contact us

Tel: +86-755-8981 8866 Fax: +86-755-8427 6832

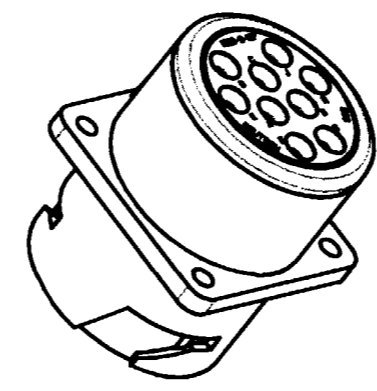
Email & Skype: info@chipsmall.com Web: www.chipsmall.com

Address: A1208, Overseas Decoration Building, #122 Zhenhua RD., Futian, Shenzhen, China



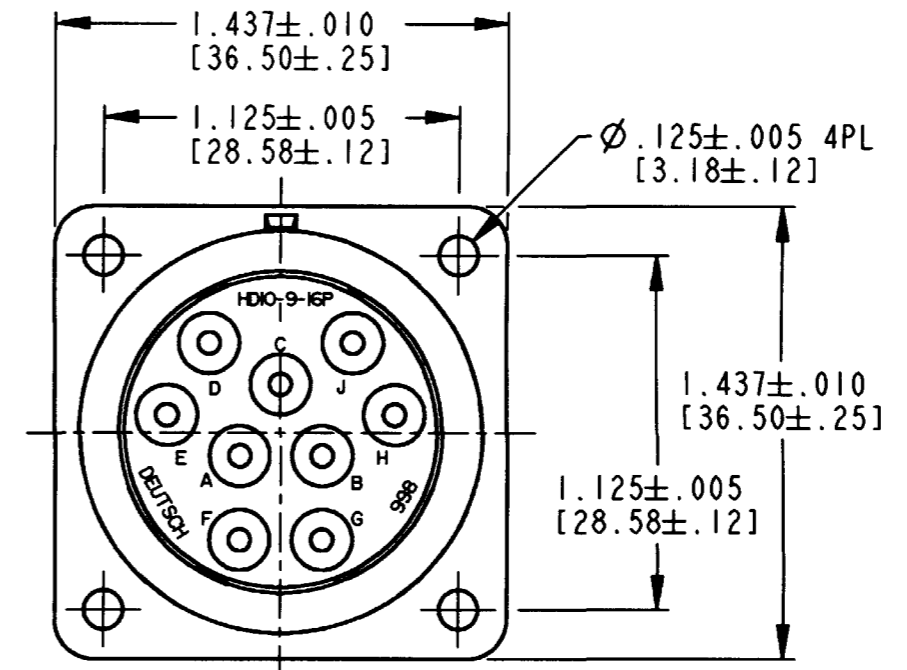
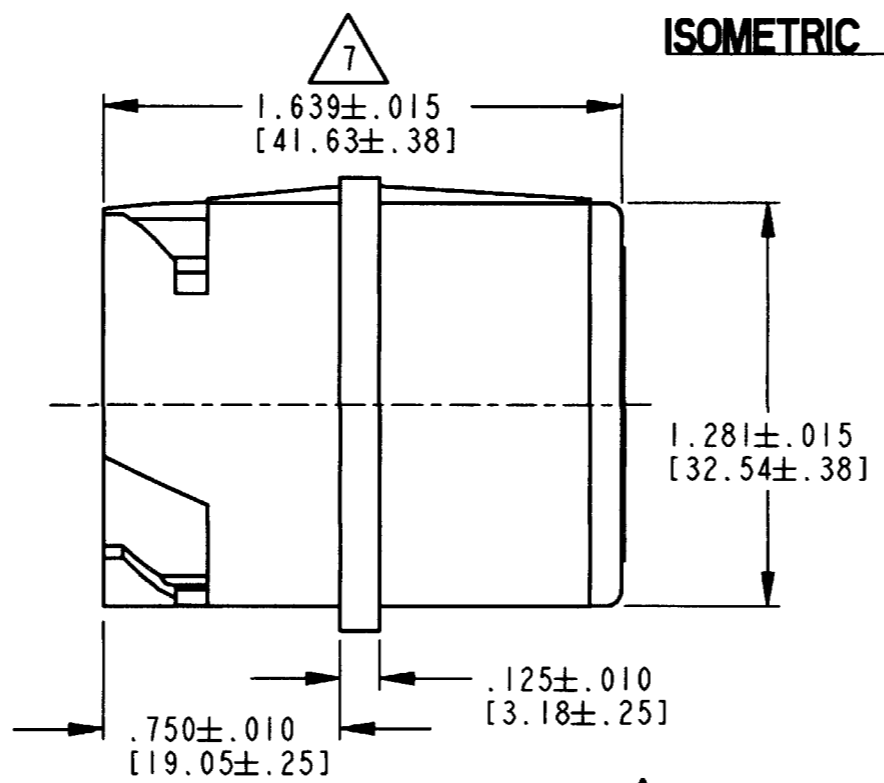
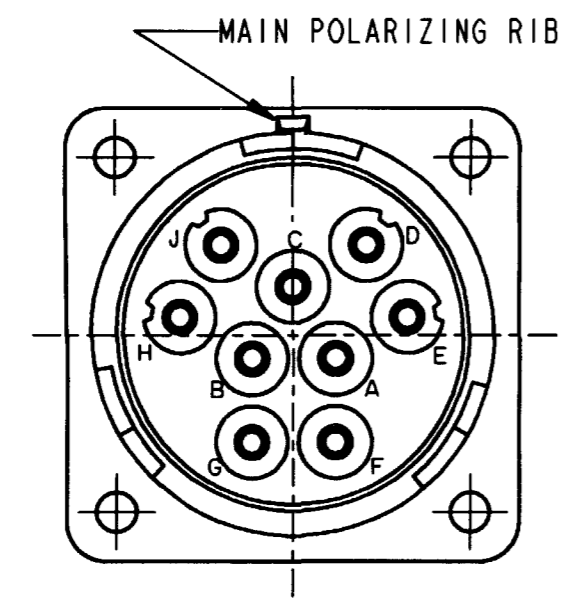


REV  
E HD10-9-16P



ISOMETRIC VIEW

REVISIONS			
SYM	DESCRIPTION	DATE	APPROVED
NC	NEW RELEASE PER E.O. A0147	05/27/83	
A	REVISED PER E.O. A1395	04/05/84	
B	REVISION (2) PER E.O. A3379	09/05/85	J.R.A.
C	REVISED PER E.O. A4536	01/10/86	J.R.A.
D	REVISED PER E.O. A5914	04/17/87	J.R.A.
E	REDRAWN & REVISED PER E.O. P16119	5/20/99	[Signature]



VIEW FROM REAR OF INSERT

4. ALL DIMENSIONS ARE IN INCHES [MILLIMETERS].
3. THIS CONNECTOR SERIES WILL ACCOMMODATE THE FOLLOWING WIRE INSULATION DIAMETERS:
- | CONTACT SIZE | MIN. INSUL O.D. | MAX. INSUL O.D. | WIRE RANGE [mm <sup>2</sup> ] |
|--------------|-----------------|-----------------|-------------------------------|
| 16           | .100 [2.45]     | .150 [3.81]     | 14-18 AWG [2.0-0.8]           |
2. CONSULT FACTORY FOR ELECTRICAL AND MATERIAL SPECIFICATION.
1. PERTINENT INFORMATION:  
 NOTES: 18 AND 16 POWER CONTACT PIN 0460-202-16141  
 16 AND 14 POWER CONTACT PIN 0460-215-16141

7. OVERALL DIMENSION DOES NOT INCLUDE RUBBER GROMMET.
6. THIS RECEPTACLE MATES WITH HD16-9-16S-\*\*\*\* PLUG (\*\*\*\* = ALL MODIFICATIONS).
5. FOR CONTACT AND WIRE PERFORMANCE AND APPLICATION CHARACTERISTICS SEE ENVELOPE DRAWING 0425-015-0000.

SIGNATURE & DATE	
DR	J. HAYNES 05/20/99
CHK	[Signature] 5/20/99
PE	[Signature] 5/28/99
APPD	[Signature] 5/20/99
SCALE	1:1.75 WT

RECEPTACLE CONNECTOR  
 SQUARE FLANGE  
 HD10 SERIES  
 ARR. 9-16

ENVELOPE

CP	MATL. CODE
<b>The Deutsch Company</b> DEUTSCH I.P.D. 3850 INDUSTRIAL AVE. HEMET, CALIF. 92545	
<b>B</b> HD10-9-16P	
DWG SIZE	CODE 11139 SHEET 1 OF 1