



Chipsmall Limited consists of a professional team with an average of over 10 year of expertise in the distribution of electronic components. Based in Hongkong, we have already established firm and mutual-benefit business relationships with customers from,Europe,America and south Asia,supplying obsolete and hard-to-find components to meet their specific needs.

With the principle of "Quality Parts,Customers Priority,Honest Operation,and Considerate Service",our business mainly focus on the distribution of electronic components. Line cards we deal with include Microchip,ALPS,ROHM,Xilinx,Pulse,ON,Everlight and Freescale. Main products comprise IC,Modules,Potentiometer,IC Socket,Relay,Connector.Our parts cover such applications as commercial,industrial, and automotives areas.

We are looking forward to setting up business relationship with you and hope to provide you with the best service and solution. Let us make a better world for our industry!



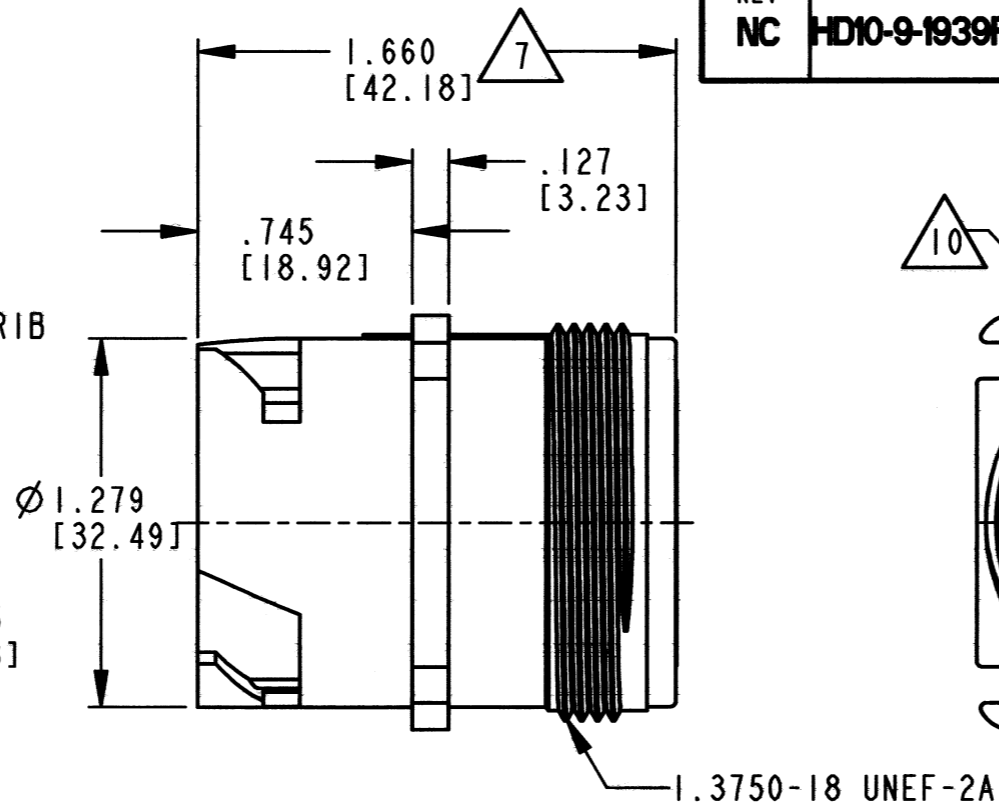
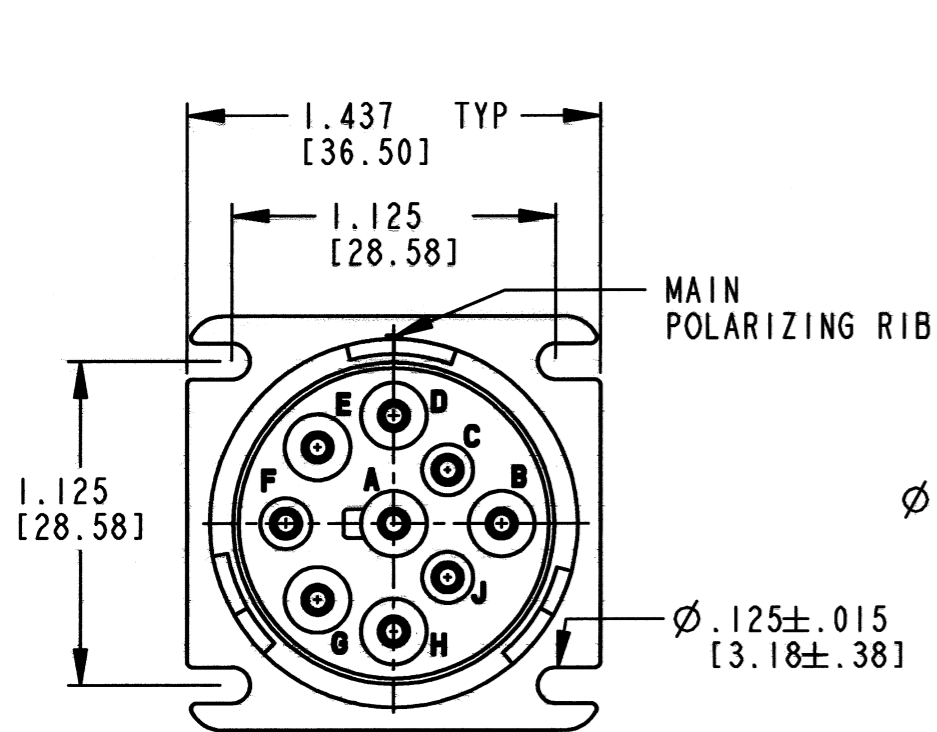
Contact us

Tel: +86-755-8981 8866 Fax: +86-755-8427 6832

Email & Skype: info@chipsmall.com Web: www.chipsmall.com

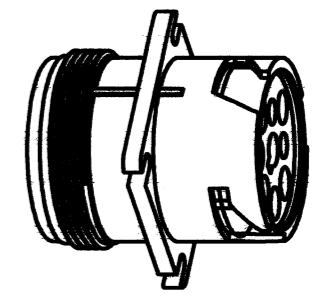
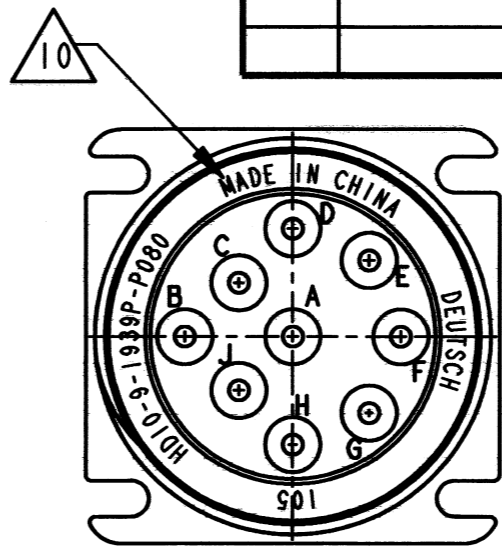
Address: A1208, Overseas Decoration Building, #122 Zhenhua RD., Futian, Shenzhen, China





REV
NC HD10-9-1939P*-P080

REVISIONS			
SYM	DESCRIPTION	DATE	APPROVED
NC	NEW RELEASE PER E.O. P21126	11-8-11	RDR



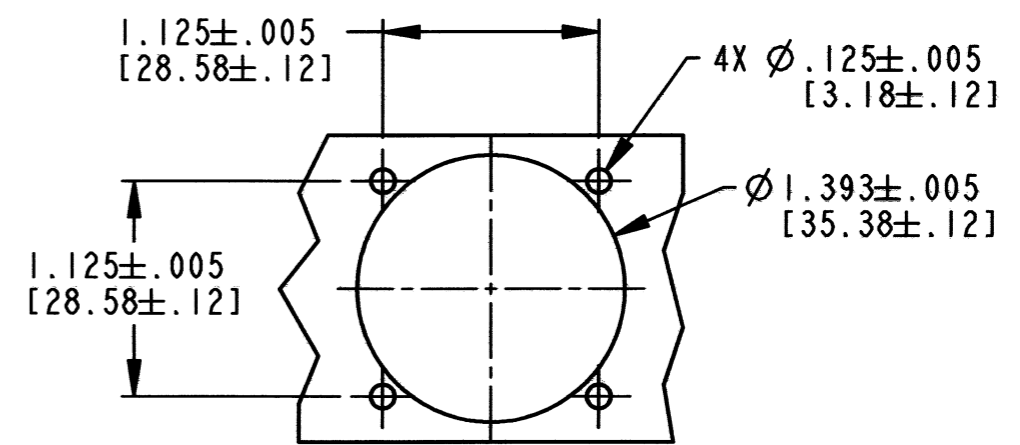
3D VIEW

- 10. COUNTRY OF ORIGIN IF OTHER THAN USA. EXAMPLE: MADE IN CHINA.
- 9. WHEN *= E: IDENTIFIES 'E' WIRE SEAL.
WHEN *= BLANK: IDENTIFIES 'NORMAL' WIRE SEAL.
- 8. MATERIAL: SHELL: PLASTIC, SEAL: RUBBER.
- 7. OVERALL DIMENSION DOES NOT INCLUDE RUBBER GROMMET.
- 6. THIS RECEPTACLE MATES WITH HD16-9-1939S*-P080 AND HD17-9-1939S*-P080 PLUGS (*=SEAL TYPE).
- 5. FOR "PERFORMANCE AND APPLICATION CHARACTERISTICS OF SOLID/STAMPED AND FORMED CONTACTS AND WIRES," SEE ENVELOPE DRAWING 0425-015-0000. THIS RECEPTACLE USES PIN CONTACTS ONLY.
- 4. RECOMMENDED PANEL THICKNESS: .062 [1.57] TO .188 [4.77].
- 3. ALL DIMENSIONS ARE IN INCHES [MILLIMETERS].
DIMENSION TOLERANCE $\pm .025 [.63]$ UNLESS OTHERWISE NOTED.
- 2. THIS CONNECTOR SERIES WILL ACCOMMODATE THE FOLLOWING WIRE INSULATION DIAMETERS:

SEAL TYPE	CONTACT SIZE	MIN. INSUL. O.D.	MAX. INSUL. O.D.	WIRE RANGE [mm ²]
NORMAL	16	.100 [2.54]	.150 [3.81]	14-20 AWG [2.0-.50]
E	16	.053 [1.35]	.120 [3.05]	14-20 AWG [2.0-.50]

1. CONSULT FACTORY FOR ELECTRICAL AND MATERIAL SPECIFICATIONS.

NOTES:



RECOMMENDED PANEL CUTOUT 4

SIGNATURE & DATE	
DR	I. GRANTCHAROVA 8/10/11
CHK	[Signature] 11/08/2011
PE	[Signature] 10/20/11
APPD	[Signature]
SCALE	NONE WT

RECEPTACLE CONNECTOR
SQUARE FLANGE
ARR. 9-1939
-P08 MOD
HD10 SERIES
ENVELOPE

EP	MATL. CODE
3850 INDUSTRIAL AVE. HEMET, CA 92545 DEUTSCH INDUSTRIAL	
B HD10-9-1939P*-P080	
DWG SIZE	CODE 11139 SHEET OF