



Chipsmall Limited consists of a professional team with an average of over 10 year of expertise in the distribution of electronic components. Based in Hongkong, we have already established firm and mutual-benefit business relationships with customers from,Europe,America and south Asia,supplying obsolete and hard-to-find components to meet their specific needs.

With the principle of “Quality Parts,Customers Priority,Honest Operation,and Considerate Service”,our business mainly focus on the distribution of electronic components. Line cards we deal with include Microchip,ALPS,ROHM,Xilinx,Pulse,ON,Everlight and Freescale. Main products comprise IC,Modules,Potentiometer,IC Socket,Relay,Connector.Our parts cover such applications as commercial,industrial, and automotives areas.

We are looking forward to setting up business relationship with you and hope to provide you with the best service and solution. Let us make a better world for our industry!



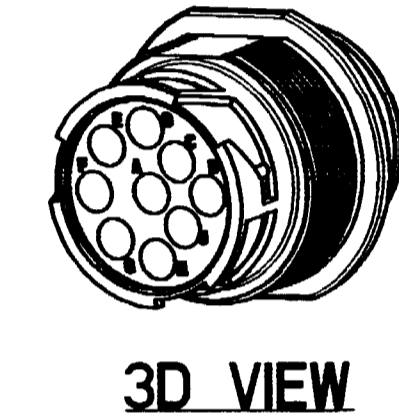
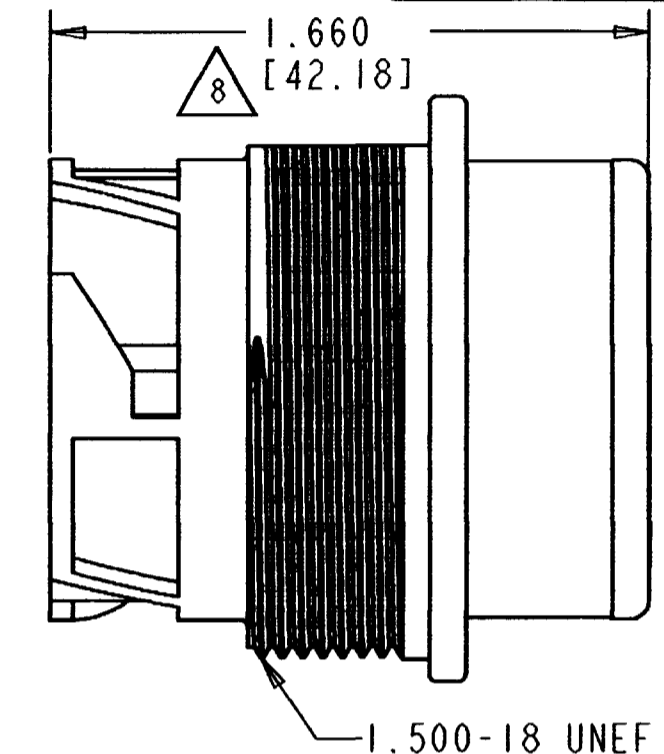
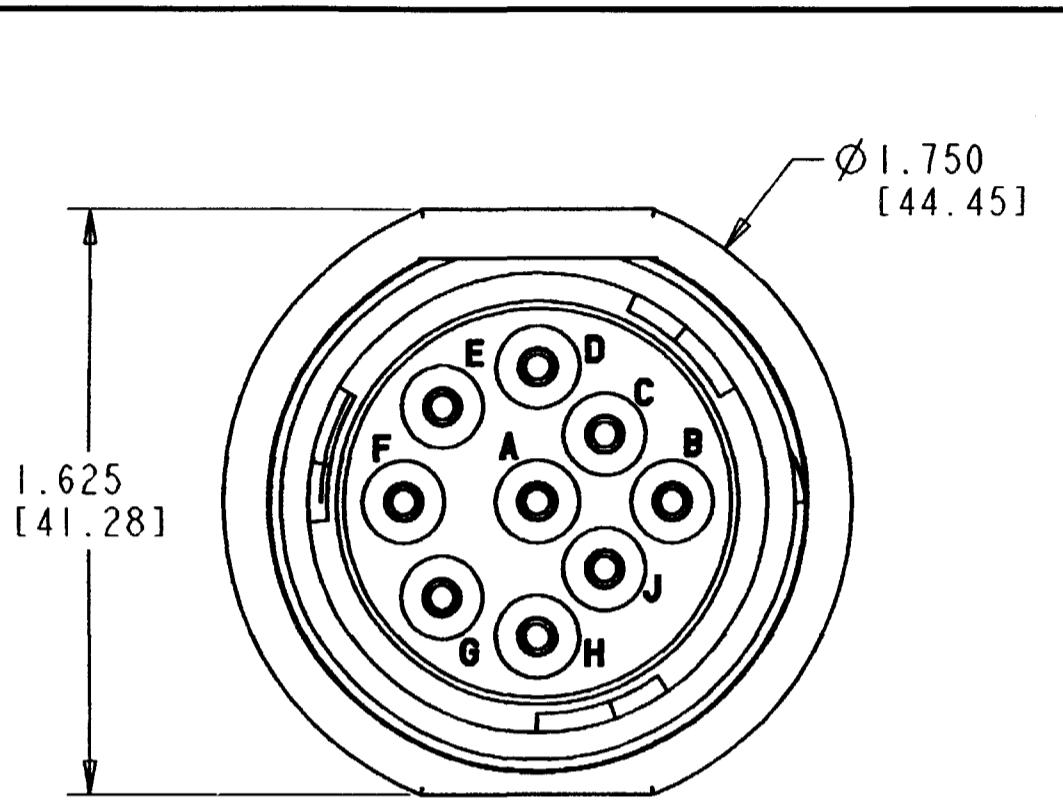
Contact us

Tel: +86-755-8981 8866 Fax: +86-755-8427 6832

Email & Skype: info@chipsmall.com Web: www.chipsmall.com

Address: A1208, Overseas Decoration Building, #122 Zhenhua RD., Futian, Shenzhen, China





3D VIEW

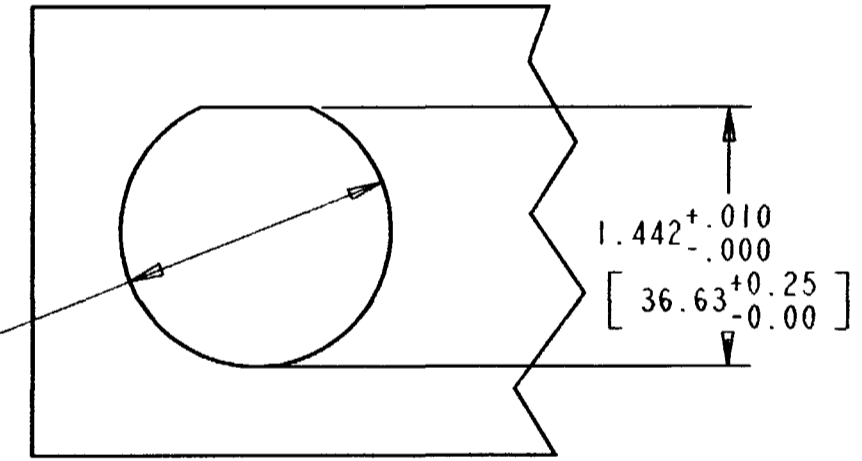
REV	DESCRIPTION	DATE	APPROVED
NC	HD10-9-96P*-B025		
SYM	DESCRIPTION	DATE	APPROVED
NC	NEW RELEASE PER E.O. P19602	7-31-07	RDR

- 10. * = SEAL TYPE ('BLANK', E)
- 9. MATERIAL: SHELL: PLASTIC; SEAL: RUBBER.
- 8. OVERALL DIMENSION DOES NOT INCLUDE RUBBER GROMMET.
- 7. THIS RECEPTACLE MATES WITH HD16-9-96S*-**** PLUG (* = SEAL TYPE, **** = ALL MODIFICATIONS).
- 6. FOR CONTACTS AND WIRES PERFORMANCE AND APPLICATION CHARACTERISTICS SEE ENVELOPE DRAWING 0425-015-0000. THIS RECEPTACLE USES PIN CONTACTS ONLY.
- 5. USE PANEL NUT P/N 2411-002-1805 AND LOCK WASHER P/N 2414-002-1886. PANEL NUT MOUNTING TORQUE: 45-55 IN-LB [5.1-6.1 N-M].
- 4. RECOMMENDED PANEL THICKNESS: .062[1.57] TO .188[4.77].
- 3. ALL DIMENSIONS ARE IN INCHES [MILLIMETERS]. DIMENSION TOLERANCE: $\pm .025[\pm .63]$. UNLESS OTHERWISE SPECIFIED.
- 2. THIS CONNECTOR WILL ACCOMMODATE THE FOLLOWING WIRE INSULATION DIAMETERS:

SEAL TYPE	MINIMUM O.D.	MAXIMUM O.D.
NORMAL (BLANK)	.100 [2.54]	.150 [3.81]
E	.053 [1.35]	.120 [3.05]

NOTES: 1. CONSULT FACTORY FOR ELECTRICAL AND MATERIAL SPECIFICATIONS.

$\phi 1.507 \pm .005$
[38.28 ± 0.12]



RECOMMENDED PANEL CUTOUT

	SIGNATURE & DATE
DR	A. MALAGON 31 JUL 07
CHK	R. Malagon 7/31/07
PE	S. Beard 7-31-07
APPD	A. Reed 9-5-07
SCALE	NONE WT

RECEPTACLE CONNECTOR
ARRANGEMENT 9-96
D-HOLE PANEL MOUNT
COLOR: BLACK
HD10 SERIES
ENVELOPE

EP	MATL. CODE
3850 INDUSTRIAL AVE. HEMET, CA 92545 DEUTSCH INDUSTRIAL B HD10-9-96P*-B025	
DWG SIZE	CODE 11139 SHEET 1 OF 1