



Chipsmall Limited consists of a professional team with an average of over 10 year of expertise in the distribution of electronic components. Based in Hongkong, we have already established firm and mutual-benefit business relationships with customers from,Europe,America and south Asia,supplying obsolete and hard-to-find components to meet their specific needs.

With the principle of “Quality Parts,Customers Priority,Honest Operation,and Considerate Service”,our business mainly focus on the distribution of electronic components. Line cards we deal with include Microchip,ALPS,ROHM,Xilinx,Pulse,ON,Everlight and Freescale. Main products comprise IC,Modules,Potentiometer,IC Socket,Relay,Connector.Our parts cover such applications as commercial,industrial, and automotives areas.

We are looking forward to setting up business relationship with you and hope to provide you with the best service and solution. Let us make a better world for our industry!



Contact us

Tel: +86-755-8981 8866 Fax: +86-755-8427 6832

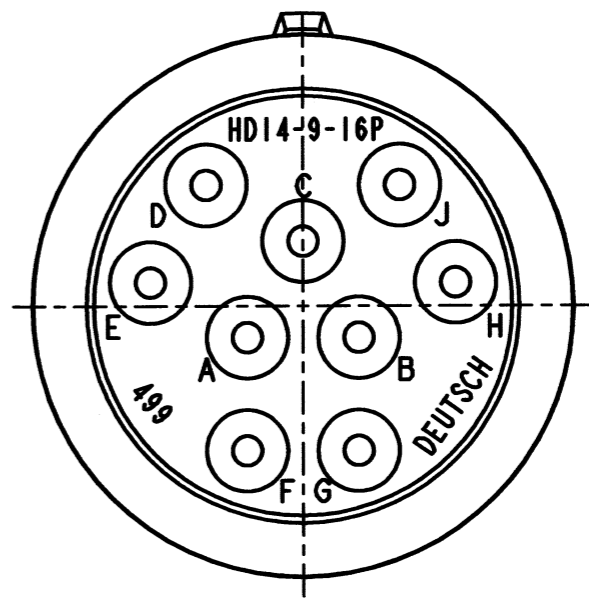
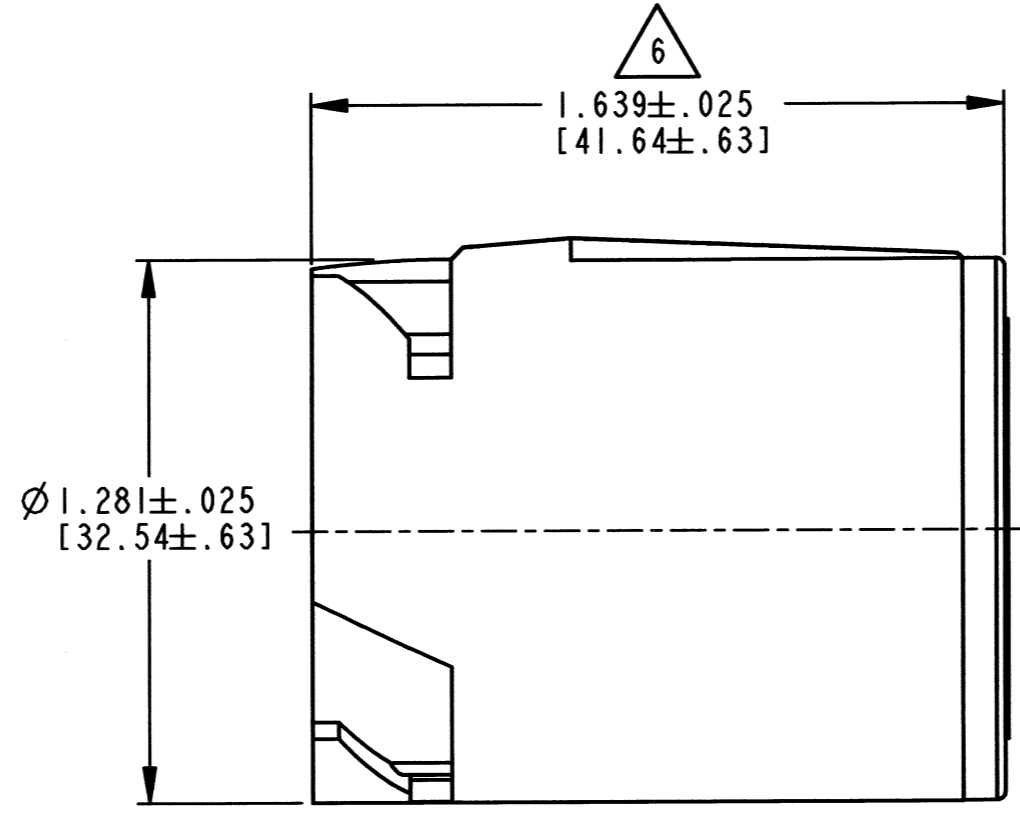
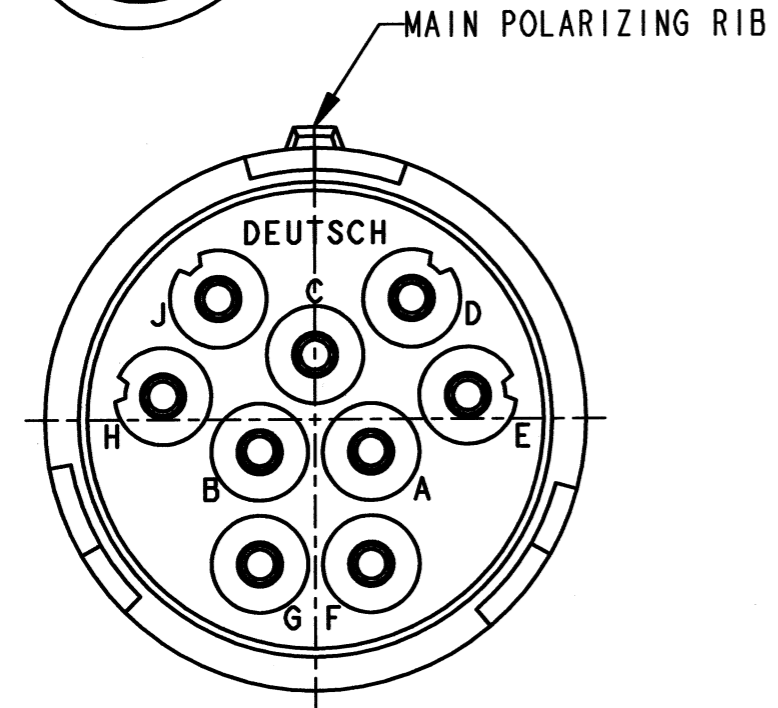
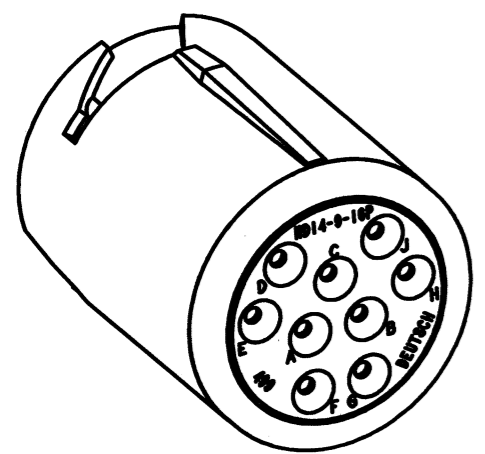
Email & Skype: info@chipsmall.com Web: www.chipsmall.com

Address: A1208, Overseas Decoration Building, #122 Zhenhua RD., Futian, Shenzhen, China



REV
D **HD14-9-16P**

REVISIONS			
SYM	DESCRIPTION	DATE	APPROVED
A	REVISION (1) PER E.O. A3379	09/05/85	J.R.A.
B	REVISION PER E.O. A5914	04/17/87	J.R.A.
C	REVISED & REDRAWN PER E.O. PI6261	09/17/99	R.D.R.
D	REVISED PER E.O. P20769	1-21-11	KDR



4. FOR "PERFORMANCE AND APPLICATION CHARACTERISTICS OF SOLID/STAMPED AND FORMED CONTACTS AND WIRES," SEE ENVELOPE DRAWING 0425-015-0000. THIS RECEPTACLE USES PIN CONTACTS ONLY.

3. ALL DIMENSIONS ARE IN INCHES [MILLIMETERS].

2. THIS CONNECTOR SERIES WILL ACCOMMODATE THE FOLLOWING WIRE INSULATION DIAMETERS:

CONTACT SIZE	MINIMUM O.D.	MAXIMUM O.D.
16	.100 [2.54]	.150 [3.81]

1. CONSULT FACTORY FOR ELECTRICAL AND MATERIAL SPECIFICATIONS.

NOTES:

7. MATERIAL: SHELL: PLASTIC, SEAL: RUBBER.

△ 6. OVERALL DIMENSION DOES NOT INCLUDE RUBBER GROMMET.

5. THIS RECEPTACLE MATES WITH HD16-9-16S*-**** PLUG (* = SEAL TYPE, **** = ALL MODIFICATIONS).

SIGNATURE & DATE	
DR	J. HAYNES 08/31/99
CHK	<i>[Signature]</i> 1/2/2011
PE	<i>[Signature]</i> 1/14/11
APPD	<i>[Signature]</i> 1/14/11
SCALE	NONE WT

RECEPTACLE CONNECTOR
INLINE
HD10 SERIES
ARR. 9-16
COLOR: GREY

ENVELOPE

EP	NATL. CODE
3850 INDUSTRIAL AVE. HEMET, CA 92545	
B HD14-9-16P	
DWG SIZE	CODE 11139 SHEET OF