



Chipsmall Limited consists of a professional team with an average of over 10 year of expertise in the distribution of electronic components. Based in Hongkong, we have already established firm and mutual-benefit business relationships with customers from,Europe,America and south Asia,supplying obsolete and hard-to-find components to meet their specific needs.

With the principle of “Quality Parts,Customers Priority,Honest Operation,and Considerate Service”,our business mainly focus on the distribution of electronic components. Line cards we deal with include Microchip,ALPS,ROHM,Xilinx,Pulse,ON,Everlight and Freescale. Main products comprise IC,Modules,Potentiometer,IC Socket,Relay,Connector.Our parts cover such applications as commercial,industrial, and automotives areas.

We are looking forward to setting up business relationship with you and hope to provide you with the best service and solution. Let us make a better world for our industry!



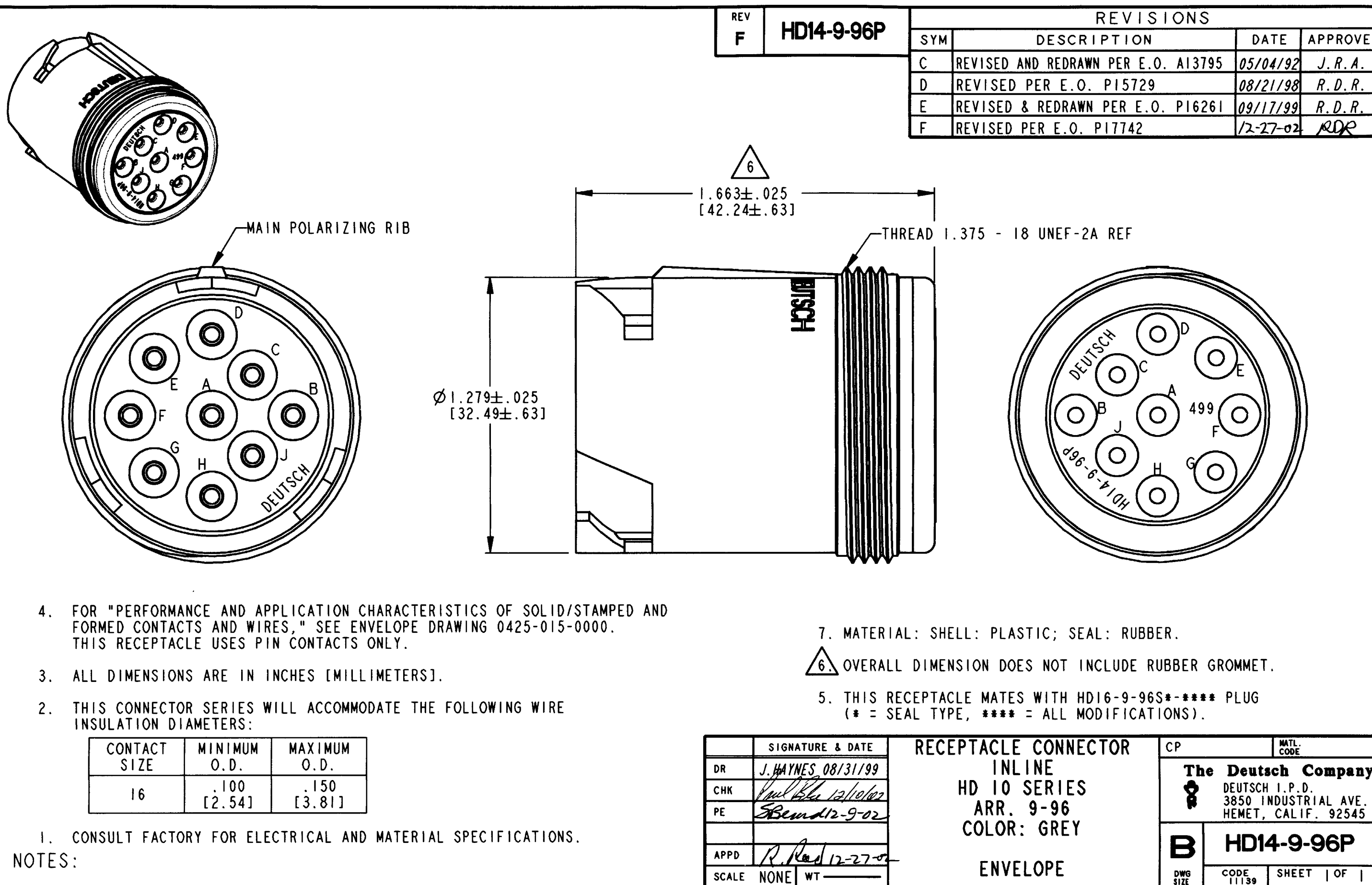
Contact us

Tel: +86-755-8981 8866 Fax: +86-755-8427 6832

Email & Skype: info@chipsmall.com Web: www.chipsmall.com

Address: A1208, Overseas Decoration Building, #122 Zhenhua RD., Futian, Shenzhen, China





REV
F HD14-9-96P

REVISIONS			
SYM	DESCRIPTION	DATE	APPROVED
C	REVISED AND REDRAWN PER E.O. A13795	05/04/92	J.R.A.
D	REVISED PER E.O. P15729	08/21/98	R.D.R.
E	REVISED & REDRAWN PER E.O. P16261	09/17/99	R.D.R.
F	REVISED PER E.O. P17742	12-27-02	RDR

- 4. FOR "PERFORMANCE AND APPLICATION CHARACTERISTICS OF SOLID/STAMPED AND FORMED CONTACTS AND WIRES," SEE ENVELOPE DRAWING 0425-015-0000. THIS RECEPTACLE USES PIN CONTACTS ONLY.
- 3. ALL DIMENSIONS ARE IN INCHES [MILLIMETERS].
- 2. THIS CONNECTOR SERIES WILL ACCOMMODATE THE FOLLOWING WIRE INSULATION DIAMETERS:

CONTACT SIZE	MINIMUM O.D.	MAXIMUM O.D.
16	.100 [2.54]	.150 [3.81]

1. CONSULT FACTORY FOR ELECTRICAL AND MATERIAL SPECIFICATIONS.
NOTES:

- 7. MATERIAL: SHELL: PLASTIC; SEAL: RUBBER.
- 6. OVERALL DIMENSION DOES NOT INCLUDE RUBBER GROMMET.
- 5. THIS RECEPTACLE MATES WITH HD16-9-96S*-**** PLUG (* = SEAL TYPE, **** = ALL MODIFICATIONS).

SIGNATURE & DATE	
DR	J. HAYNES 08/31/99
CHK	<i>Paul Baker 12/10/02</i>
PE	<i>Steward 12-9-02</i>
APPD	<i>R. Rad 12-27-02</i>
SCALE	NONE WT

RECEPTACLE CONNECTOR
 INLINE
 HD 10 SERIES
 ARR. 9-96
 COLOR: GREY
 ENVELOPE

CP	MATL. CODE
The Deutsch Company DEUTSCH I.P.D. 3850 INDUSTRIAL AVE. HEMET, CALIF. 92545	
B	HD14-9-96P
DWG SIZE	CODE 11139 SHEET OF