



Chipsmall Limited consists of a professional team with an average of over 10 year of expertise in the distribution of electronic components. Based in Hongkong, we have already established firm and mutual-benefit business relationships with customers from,Europe,America and south Asia,supplying obsolete and hard-to-find components to meet their specific needs.

With the principle of “Quality Parts,Customers Priority,Honest Operation,and Considerate Service”,our business mainly focus on the distribution of electronic components. Line cards we deal with include Microchip,ALPS,ROHM,Xilinx,Pulse,ON,Everlight and Freescale. Main products comprise IC,Modules,Potentiometer,IC Socket,Relay,Connector.Our parts cover such applications as commercial,industrial, and automotives areas.

We are looking forward to setting up business relationship with you and hope to provide you with the best service and solution. Let us make a better world for our industry!



## Contact us

Tel: +86-755-8981 8866 Fax: +86-755-8427 6832

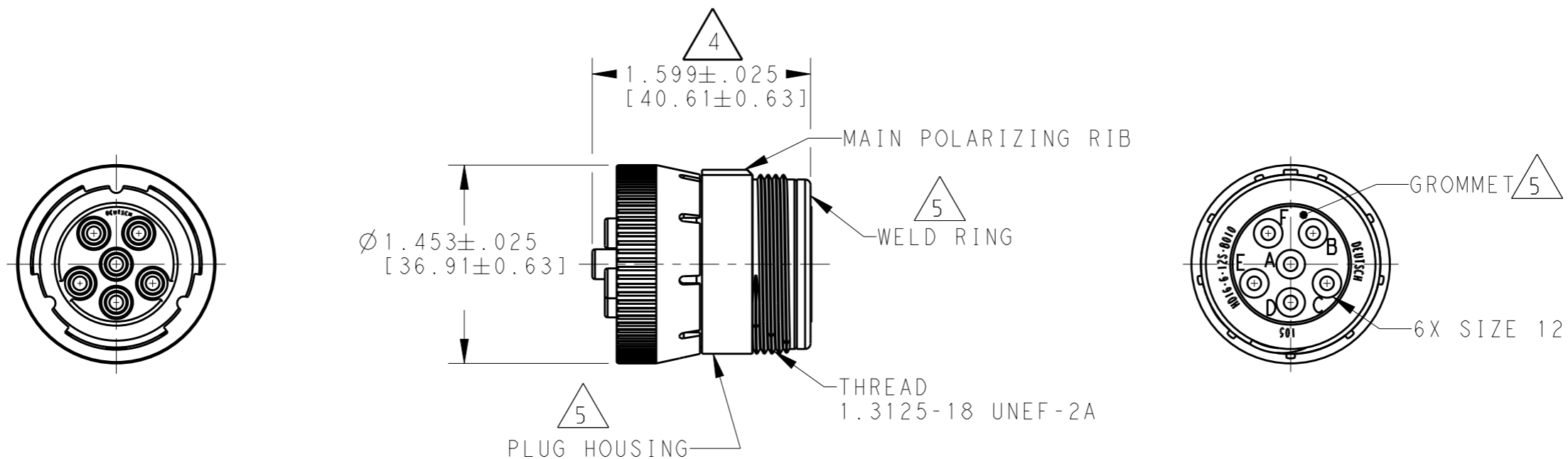
Email & Skype: info@chipsmall.com Web: www.chipsmall.com

Address: A1208, Overseas Decoration Building, #122 Zhenhua RD., Futian, Shenzhen, China

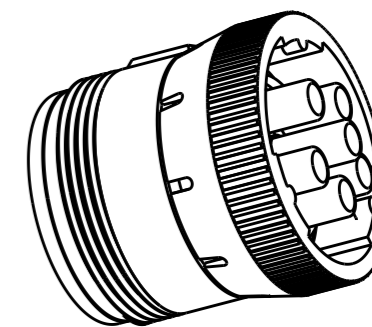


THIS DRAWING IS UNPUBLISHED  
 RELEASED FOR PUBLICATION 2013  
 © COPYRIGHT 2013 BY TE CONNECTIVITY. ALL RIGHTS RESERVED.

LOC	DIST	REVISIONS			
P	LTR	DESCRIPTION	DATE	DWN	APVD
-	-	C1	REVISED PER ECO-14-002953	29JAN2014	PV DM
-	-	C2	REVISED PER ECO-16-016568	20OCT2016	KR DM



- 5 MATERIAL:  
 PLUG HOUSING AND WELD RING: PA 15%GF (GREY)  
 GROMMET: SILICONE (RED)
- 4. OVERALL DIMENSION DOES NOT INCLUDE RUBBER GROMMET.
- 3. THIS PLUG MATES WITH RECEPTACLE  
 (X=SEAL TYPE, XXXX= ALL MODIFICATIONS).  
 HD10-6-12PX-XXXX  
 HD14-6-12PX-XXXX
- 2. SEE DRAWING 0425-015-0000 FOR CONTACT AND WIRE  
 PERFORMANCE AND APPLICATION CHARACTERISTICS.



**3D VIEW**

1. SEE TABLE FOR USABLE WIRE RANGE AND INSULATION RANGE.

CONTACT SIZE	MINIMUM O.D.	MAXIMUM O.D.	WIRE RANGE [mm <sup>2</sup> ] <sup>2</sup>
12	.134 [3.40]	.170 [4.31]	10-14 AWG [6.0-2.0mm <sup>2</sup> ]

NOTES:

THIS DRAWING IS A CONTROLLED DOCUMENT.		DWN R. OCHOA 9AUG1999	TE INTERNAL PN HD16-6-12S-B010		DEUTSCH PN HD16-6-12S-B010													
DIMENSIONS: INCHES [mm]		CHK I. GRANTCHAROVA 18SEP2013	TE Connectivity NAME PLUG CONNECTOR HD10 SERIES 6-12S ARRANGEMENT COLOR: GREY															
TOLERANCES UNLESS OTHERWISE SPECIFIED:		APVD D. MEYER 19SEP2013																
<table border="0"> <tr> <td>0 PLC</td> <td>±</td> </tr> <tr> <td>1 PLC</td> <td>±</td> </tr> <tr> <td>2 PLC</td> <td>±</td> </tr> <tr> <td>3 PLC</td> <td>±.025 [0.64]</td> </tr> <tr> <td>4 PLC</td> <td>±</td> </tr> <tr> <td>ANGLES</td> <td>±0° 30' 0"</td> </tr> </table>		0 PLC	±	1 PLC	±	2 PLC	±	3 PLC	±.025 [0.64]	4 PLC	±	ANGLES	±0° 30' 0"	PRODUCT SPEC -	SIZE A3	CAGE CODE 4AFU8	DRAWING NO. HD16-6-12S-B010	RESTRICTED TO -
0 PLC	±																	
1 PLC	±																	
2 PLC	±																	
3 PLC	±.025 [0.64]																	
4 PLC	±																	
ANGLES	±0° 30' 0"																	
MATERIAL 5		FINISH -	APPLICATION SPEC -	WEIGHT 30.40 (g)	SCALE 1:1	SHEET 1 OF 1												
Customer Drawing			REV C2															