



Chipsmall Limited consists of a professional team with an average of over 10 year of expertise in the distribution of electronic components. Based in Hongkong, we have already established firm and mutual-benefit business relationships with customers from,Europe,America and south Asia,supplying obsolete and hard-to-find components to meet their specific needs.

With the principle of "Quality Parts,Customers Priority,Honest Operation,and Considerate Service",our business mainly focus on the distribution of electronic components. Line cards we deal with include Microchip,ALPS,ROHM,Xilinx,Pulse,ON,Everlight and Freescale. Main products comprise IC,Modules,Potentiometer,IC Socket,Relay,Connector.Our parts cover such applications as commercial,industrial, and automotives areas.

We are looking forward to setting up business relationship with you and hope to provide you with the best service and solution. Let us make a better world for our industry!



Contact us

Tel: +86-755-8981 8866 Fax: +86-755-8427 6832

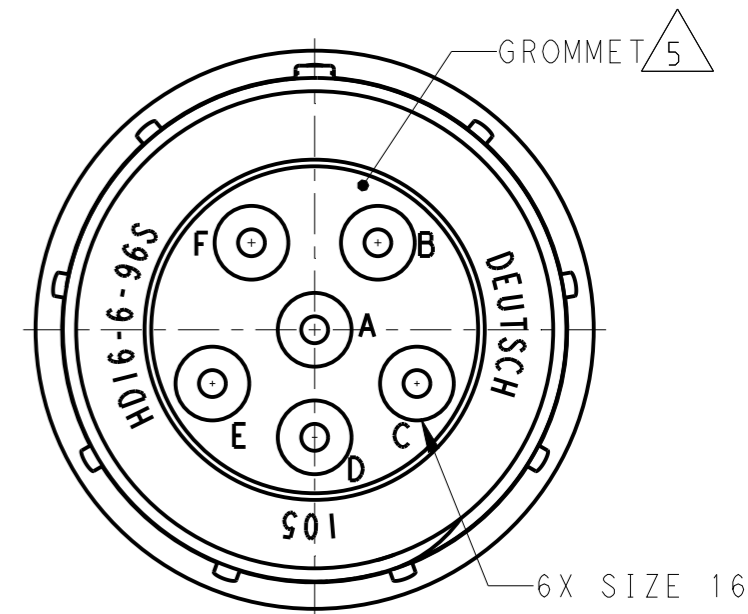
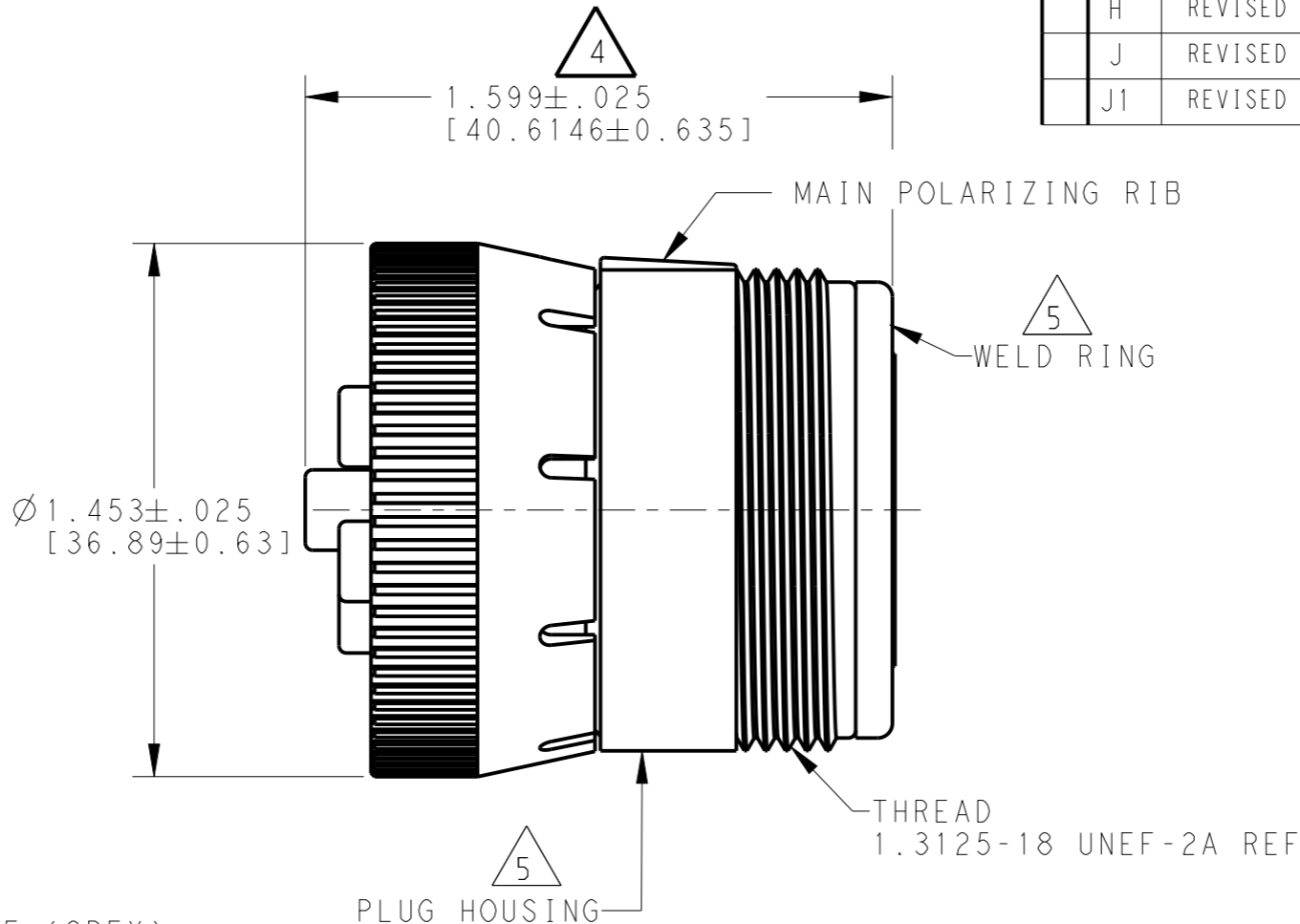
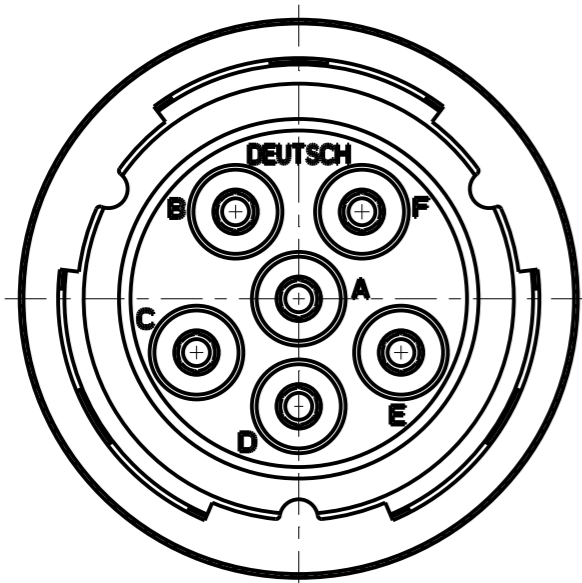
Email & Skype: info@chipsmall.com Web: www.chipsmall.com

Address: A1208, Overseas Decoration Building, #122 Zhenhua RD., Futian, Shenzhen, China



THIS DRAWING IS UNPUBLISHED. RELEASED FOR PUBLICATION 2013. ALL RIGHTS RESERVED. © COPYRIGHT 2013 BY TE CONNECTIVITY.

LOC	DIST	P	LTR	DESCRIPTION	DATE	DWN	APVD
-	-		G	REVISED PER E.O. P17741	27DEC2002	-	RDR
			H	REVISED PER E.O. P21133	29SEP2011	-	RDR
			J	REVISED PER E.O. P21366	4JUN2012	-	RDR
			J1	REVISED PER ECO-14-002953	29JAN2014	PV	DM

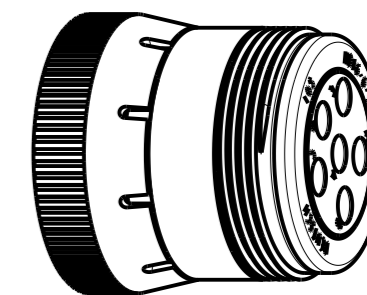


- 5 MATERIAL: PLUG HOUSING AND WELD RING: PA 15%GF (GREY) GROMMET: SILICONE (RED)
- 4 OVERALL DIMENSION DOES NOT INCLUDE RUBBER GROMMET.
- 3. THIS PLUG MATES WITH RECEPTACLE (X= SEAL TYPE, XXXX= ALL MODIFICATIONS). HD10-6-96PX-XXXX HD14-6-96PX-XXXX
- 2 SEE DRAWING 0425-015-0000 FOR CONTACT AND WIRE PERFORMANCE AND APPLICATION CHARACTERISTICS.

1. SEE TABLE FOR USABLE WIRE RANGE AND INSUALTION RANGE

CONTACT SIZE	MINIMUM O.D.	MAXIMUM O.D.	WIRE RANGE [mm ²]
16	.100 [2.54]	.150 [3.81]	14-20 AWG [2.0-.50]

NOTES:



3D VIEW

THIS DRAWING IS A CONTROLLED DOCUMENT.		DWN R. OCHOA 11SEP1998		
DIMENSIONS: INCHES [mm]		CHK I. GRANTCHAROVA 18SEP2013		
TOLERANCES UNLESS OTHERWISE SPECIFIED:		APVD D. MEYER 19SEP2013	NAME PLUG, CONNECTOR HD10 SERIES ARR. 6-96 COLOR: GREY	
0 PLC ±		PRODUCT SPEC -	SIZE A3	
1 PLC ±		APPLICATION SPEC -	CAGE CODE 00779	DRAWING NO. HD16-6-96S
2 PLC ±		WEIGHT 32.25 (g)	RESTRICTED TO -	
3 PLC ±.025		Customer Drawing	SCALE 2:1	SHEET 1 OF 1
4 PLC ±				REV J1
ANGLES ±° 30' 0"				
FINISH -				