



Chipsmall Limited consists of a professional team with an average of over 10 year of expertise in the distribution of electronic components. Based in Hongkong, we have already established firm and mutual-benefit business relationships with customers from,Europe,America and south Asia,supplying obsolete and hard-to-find components to meet their specific needs.

With the principle of "Quality Parts,Customers Priority,Honest Operation,and Considerate Service",our business mainly focus on the distribution of electronic components. Line cards we deal with include Microchip,ALPS,ROHM,Xilinx,Pulse,ON,Everlight and Freescale. Main products comprise IC,Modules,Potentiometer,IC Socket,Relay,Connector.Our parts cover such applications as commercial,industrial, and automotives areas.

We are looking forward to setting up business relationship with you and hope to provide you with the best service and solution. Let us make a better world for our industry!



## Contact us

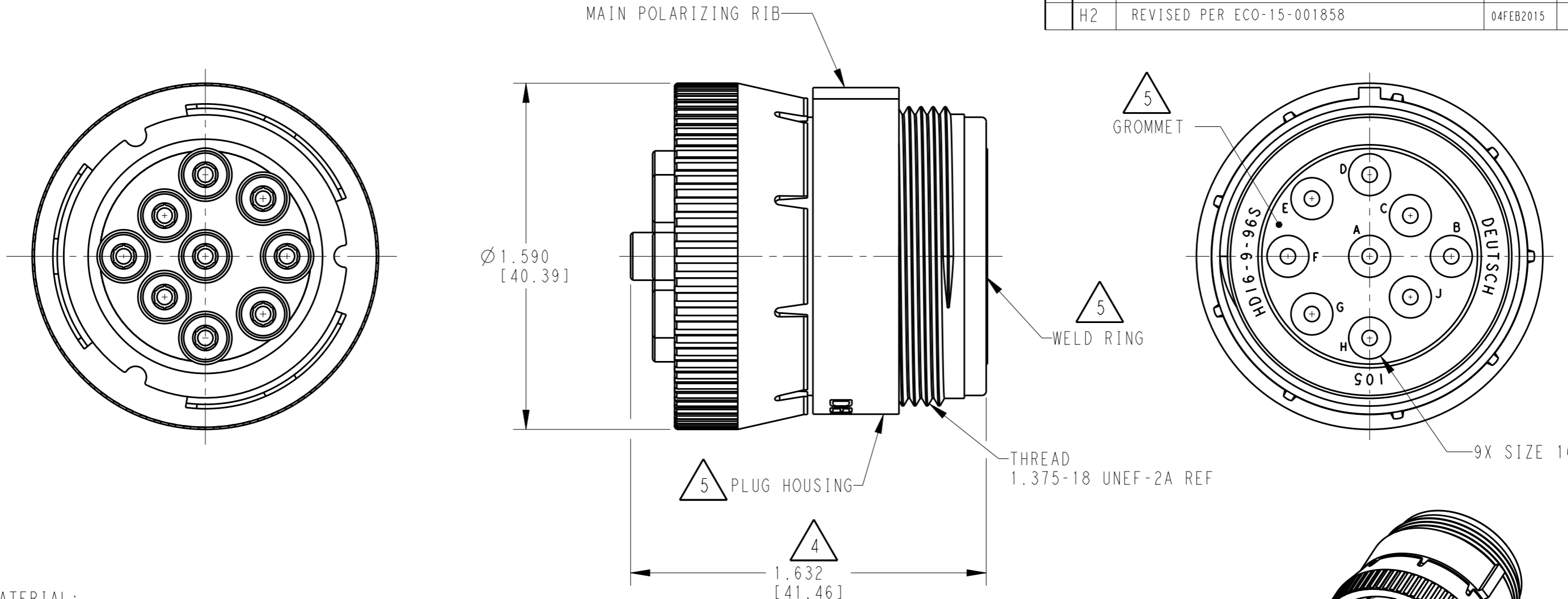
Tel: +86-755-8981 8866 Fax: +86-755-8427 6832

Email & Skype: info@chipsmall.com Web: www.chipsmall.com

Address: A1208, Overseas Decoration Building, #122 Zhenhua RD., Futian, Shenzhen, China



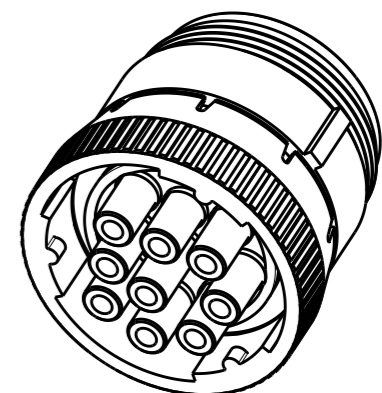
LOC	DIST	REVISIONS			
P	LTR	DESCRIPTION	DATE	DWN	APVD
	G	REVISED PER E.O. P21133	29SEP2011		RDR
	H	REVISED PER E.O. P21366	04JUN2012		RDR
	H1	REVISED PER ECO-14-002953	29JAN2014	PV	DM
	H2	REVISED PER ECO-15-001858	04FEB2015	JA	DM



- 5 MATERIAL:  
 PLUG HOUSING AND WELD RING: PA 15%GF (GREY)  
 GROMMET: SILICONE (RED)
- 4 OVERALL DIMENSION DOES NOT INCLUDE RUBBER GROMMET.
- 3. THIS PLUG MATES WITH FOLLOWING RECEPTACLE (X=SEAL TYPE, XXXX= ALL MODIFICATIONS).  
 HD10-9-96PX-XXXX  
 HD14-9-96PX-XXXX
- 2 SEE DRAWING 0425-015-0000 FOR CONTACT AND WIRE PERFORMANCE AND APPLICATION CHARACTERISTICS

1. SEE TABLE FOR USABLE WIRE RANGE AND INSULATION RANGE:

CONTACT SIZE	MINIMUM O.D.	MAXIMUM O.D.	WIRE RANGE [mm <sup>2</sup> ] 2
16	.100 [2.54]	.150 [3.81]	14-20 AWG [2.0-.50]



**3D VIEW**

NOTES:

THIS DRAWING IS A CONTROLLED DOCUMENT.		DWN R. OCHOA 14AUG1998		
DIMENSIONS: INCHES [mm]		CHK I. GRANTCHAROVA 18SEP2013		
TOLERANCES UNLESS OTHERWISE SPECIFIED:		APVD D. MEYER 19SEP2013	NAME PLUG CONNECTOR HD10 SERIES ARR. 9-96 COLOR: GREY	
0 PLC ±		PRODUCT SPEC 0425-015-0000	SIZE A3	
1 PLC ±		APPLICATION SPEC 0425-015-0000	CAGE CODE 4AFU8	DRAWING NO. HD16-9-96S
2 PLC ±		WEIGHT 37.50g	RESTRICTED TO -	
3 PLC ±.025 [0.64]		Customer Drawing		
4 PLC ±		SCALE 2:1		
4 PLC ANGLES ± ±0° 30' 0"		SHEET 1 OF 1		
MATERIAL 5		REV H2		
FINISH N/A				