



Chipsmall Limited consists of a professional team with an average of over 10 year of expertise in the distribution of electronic components. Based in Hongkong, we have already established firm and mutual-benefit business relationships with customers from,Europe,America and south Asia,supplying obsolete and hard-to-find components to meet their specific needs.

With the principle of “Quality Parts,Customers Priority,Honest Operation,and Considerate Service”,our business mainly focus on the distribution of electronic components. Line cards we deal with include Microchip,ALPS,ROHM,Xilinx,Pulse,ON,Everlight and Freescale. Main products comprise IC,Modules,Potentiometer,IC Socket,Relay,Connector.Our parts cover such applications as commercial,industrial, and automotives areas.

We are looking forward to setting up business relationship with you and hope to provide you with the best service and solution. Let us make a better world for our industry!



Contact us

Tel: +86-755-8981 8866 Fax: +86-755-8427 6832

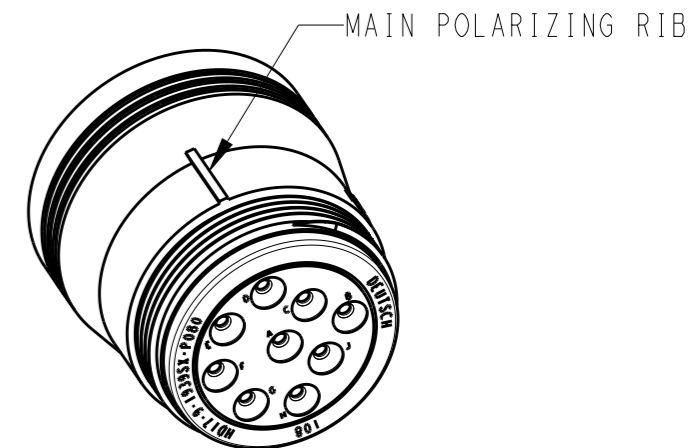
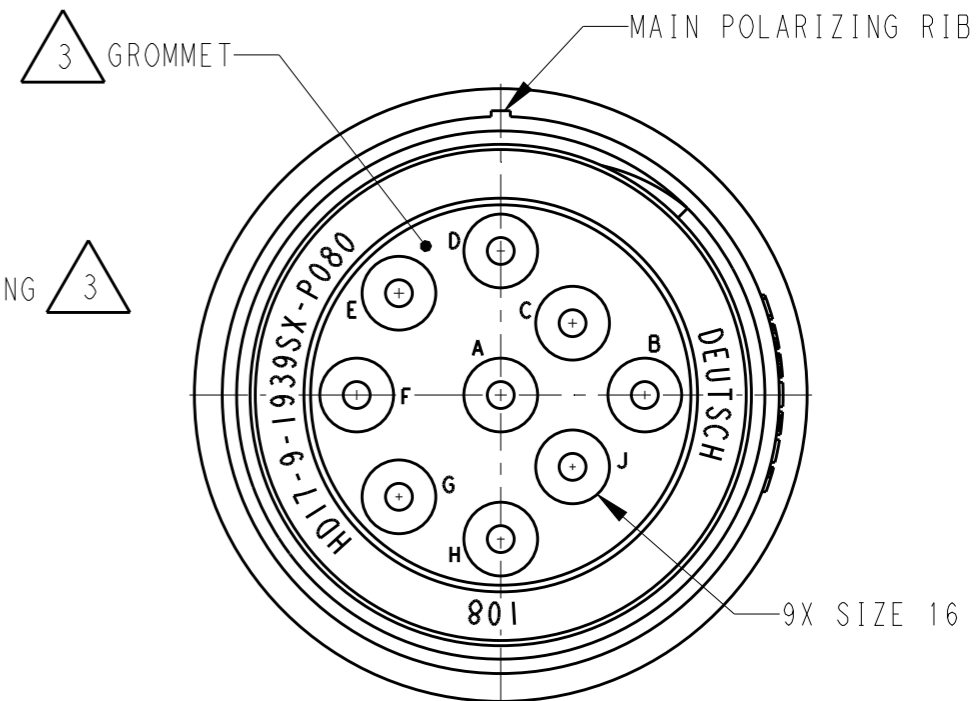
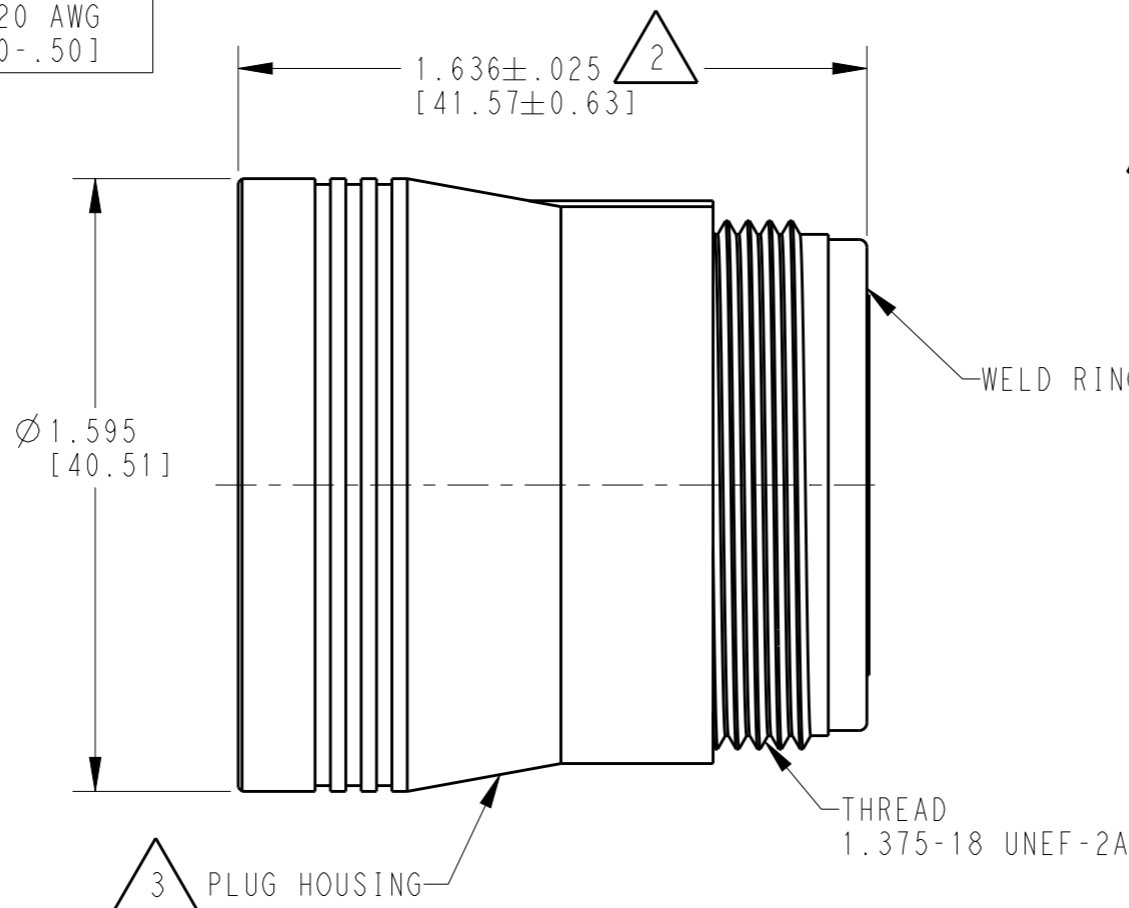
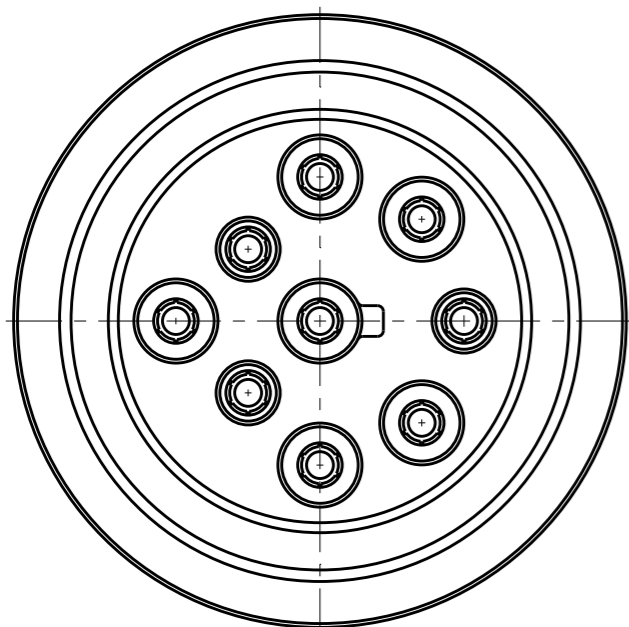
Email & Skype: info@chipsmall.com Web: www.chipsmall.com

Address: A1208, Overseas Decoration Building, #122 Zhenhua RD., Futian, Shenzhen, China



P	LTR	DESCRIPTION	DATE	DWN	APVD
	NC	NEW RELEASE PER E.O. P21126	8NOV2011	IG	RDR
	A	REVISED PER ECO-14-002953	11FEB2014	PV	DM
	A1	REVISED PER ECO-15-002653		JA	DM

SEAL TYPE	CONTACT SIZE	MIN INSUL O.D. [mm]	MAX INSUL O.D. [mm]	WIRE RANGE [mm ²] REF ONLY
N	16	.100 [2.54]	.150 [3.81]	14-20 AWG [2.0-.50]
E	16	.053 [1.35]	.120 [3.05]	14-20 AWG [2.0-.50]



SCALE 1:1

TE INTERNAL PN	DEUTSCH PN
HD17-9-1939S-P080	HD17-9-1939S-P080
HD17-9-1939SE-P080	HD17-9-1939SE-P080

4. P080 MODIFICATION: SAE J1939-13, TYPE 2.


3 MATERIAL: PLUG HOUSING: PA66 GF15 (GREEN)
 WELD RING: PA66 GF15 (GREEN)
 GROMMET: SILICONE (ORANGE-RED)

2 OVERALL DIMENSION DOES NOT INCLUDE RUBBER GROMMET.

1. THIS PLUG MATES WITH FOLLOWING RECEPTACLES:

- HD10-9-1939PX
- HD10-9-1939PX-B022
- HD10-9-1939PX-BP03
- HD10-9-1939PX-P080
- HD14-9-1939PX
- HD14-9-1939PX-P080
- X = SEAL TYPE (N,E)

NOTES:

THIS DRAWING IS A CONTROLLED DOCUMENT.		DWN 10AUG2011 I. GRANTCHAROVA		 TE Connectivity	
DIMENSIONS: INCHES [mm]		CHK 17SEP2013 I. GRANTCHAROVA			
TOLERANCES UNLESS OTHERWISE SPECIFIED:		APVD 19SEP2013 D. MEYER		NAME PLUG CONNECTOR 1939 ARRANGEMENT, -P080 MOD HD10 SERIES	
0 PLC ±		PRODUCT SPEC 0425-015-0000		SIZE A3	
1 PLC ±		APPLICATION SPEC 0425-015-0000		CAGE CODE 4AFU8	
2 PLC ±		WEIGHT 39.0g		DRAWING NO HD17-9-1939SX-P080	
3 PLC ±		Customer Drawing		RESTRICTED TO -	
4 PLC ±		SCALE 2:1		SHEET 1 OF 1	
ANGLES ±		REV A1			
FINISH N/A					