



Chipsmall Limited consists of a professional team with an average of over 10 year of expertise in the distribution of electronic components. Based in Hongkong, we have already established firm and mutual-benefit business relationships with customers from,Europe,America and south Asia,supplying obsolete and hard-to-find components to meet their specific needs.

With the principle of “Quality Parts,Customers Priority,Honest Operation,and Considerate Service”,our business mainly focus on the distribution of electronic components. Line cards we deal with include Microchip,ALPS,ROHM,Xilinx,Pulse,ON,Everlight and Freescale. Main products comprise IC,Modules,Potentiometer,IC Socket,Relay,Connector.Our parts cover such applications as commercial,industrial, and automotives areas.

We are looking forward to setting up business relationship with you and hope to provide you with the best service and solution. Let us make a better world for our industry!



Contact us

Tel: +86-755-8981 8866 Fax: +86-755-8427 6832

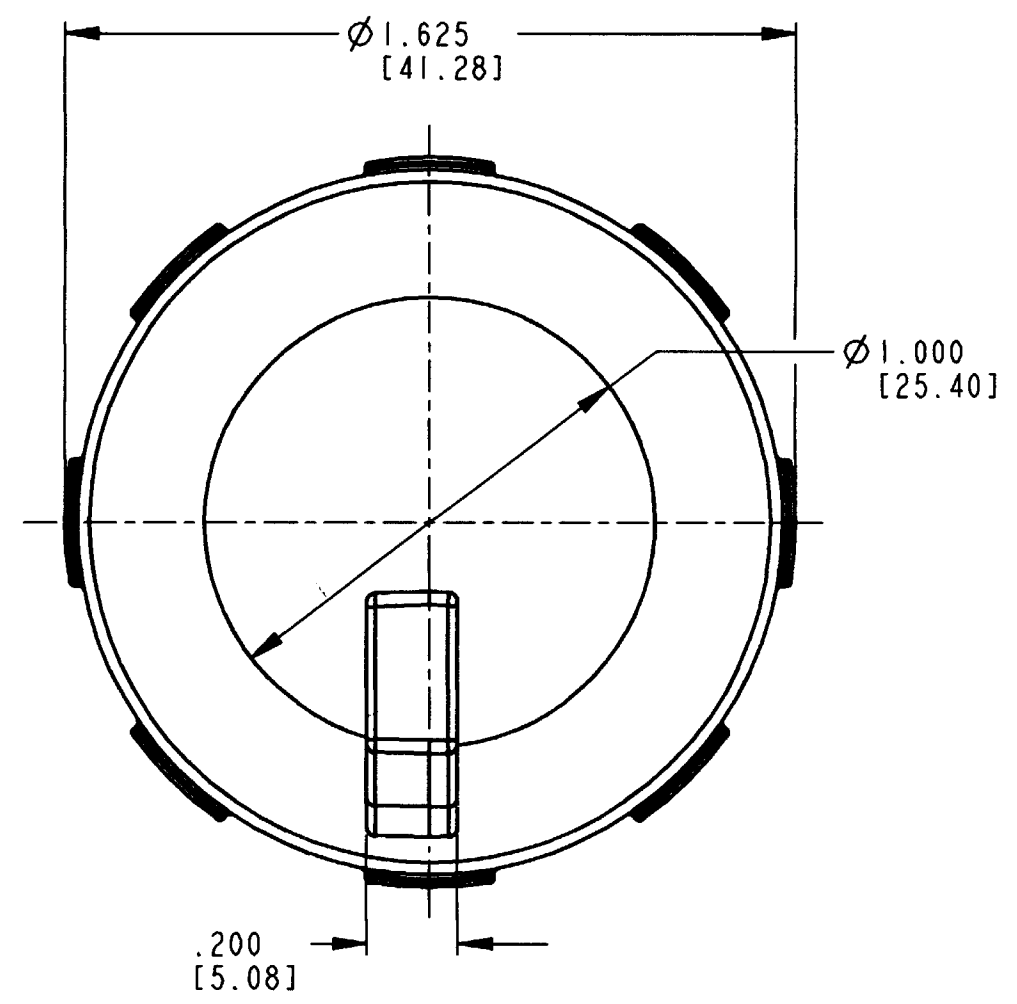
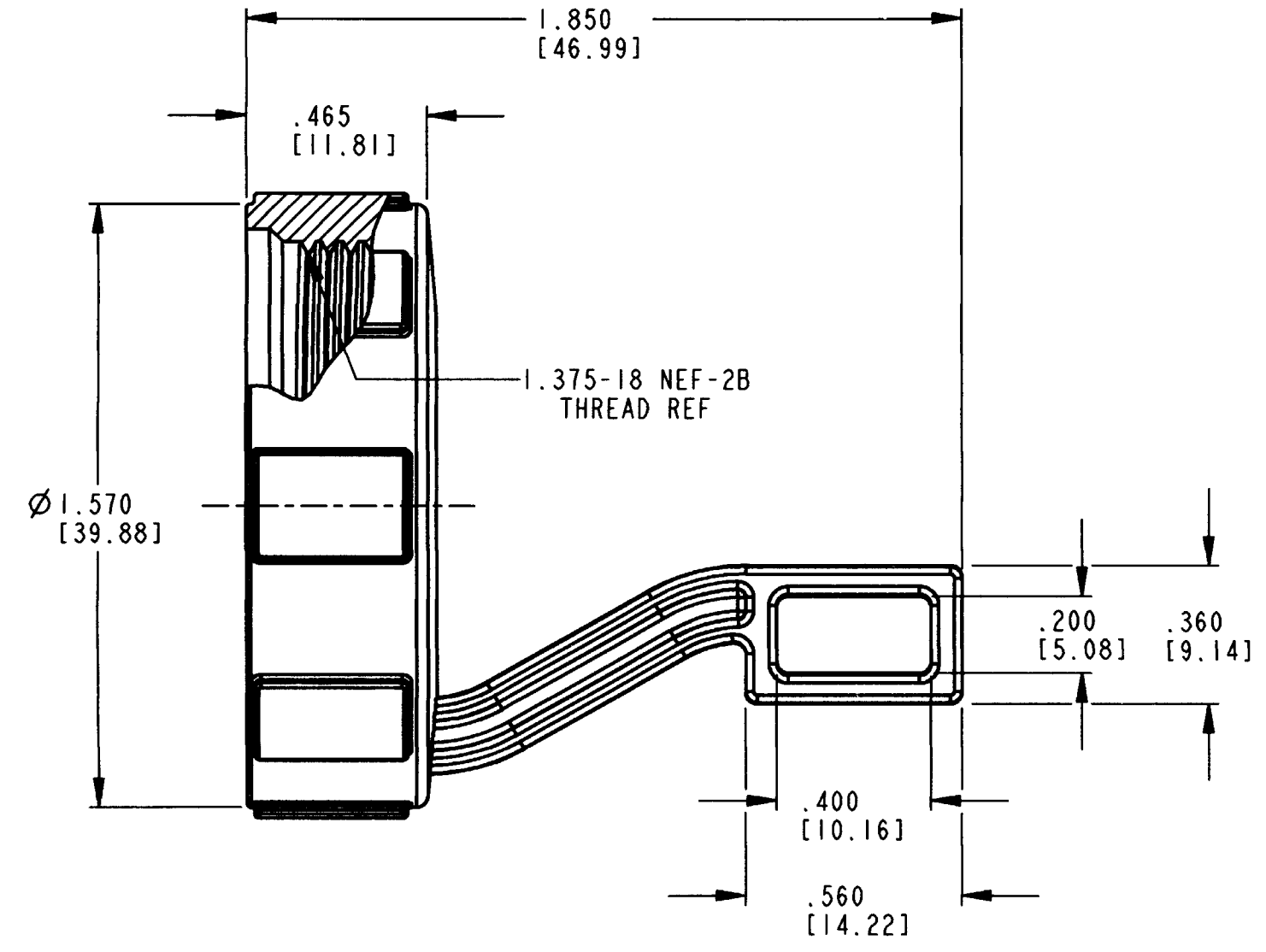
Email & Skype: info@chipsmall.com Web: www.chipsmall.com

Address: A1208, Overseas Decoration Building, #122 Zhenhua RD., Futian, Shenzhen, China



REV
E HD18-009

REVISIONS			
SYM	DESCRIPTION	DATE	APPROVED
D	REVISED AND REDRAWN PER E.O. A13795	04/30/92	J.R.A.
E	REVISED PER E.O. P17063	1/9/01	DM



- NOTES:
1. ALL DIMENSIONS ARE IN INCHES [MILLIMETERS].
 2. ALL DIMENSION TOLERANCES ARE $\pm .025$ [0.63].
 3. MATERIAL: PLASTIC; COLOR: GRAY.
 4. THE FOLLOWING PARTS WILL ACCEPT THIS BACKSHELL:
HD10-4-4P, HD16-4-4S, HD10-9-96P, HD14-9-96P, HD16-9-96S

SIGNATURE & DATE	
DR	J. NORRIS 30APR92
CHK	D Meyer 1/5/01
PE	Spencer 1-4-01
APPD	D Meyer 1/9/01
SCALE	NONE

BACK SHELL
HD10 SERIES
SIZE 9

ENVELOPE

CP	MATL. CODE
The Deutch Company DEUTSCH I.P.D. 3850 INDUSTRIAL AVE. HEMET, CALIF. 92545	
B	HD18-009
DWG SIZE	CODE 11139 SHEET OF