



Chipsmall Limited consists of a professional team with an average of over 10 year of expertise in the distribution of electronic components. Based in Hongkong, we have already established firm and mutual-benefit business relationships with customers from,Europe,America and south Asia,supplying obsolete and hard-to-find components to meet their specific needs.

With the principle of “Quality Parts,Customers Priority,Honest Operation,and Considerate Service”,our business mainly focus on the distribution of electronic components. Line cards we deal with include Microchip,ALPS,ROHM,Xilinx,Pulse,ON,Everlight and Freescale. Main products comprise IC,Modules,Potentiometer,IC Socket,Relay,Connector.Our parts cover such applications as commercial,industrial, and automotives areas.

We are looking forward to setting up business relationship with you and hope to provide you with the best service and solution. Let us make a better world for our industry!



## Contact us

Tel: +86-755-8981 8866 Fax: +86-755-8427 6832

Email & Skype: info@chipsmall.com Web: www.chipsmall.com

Address: A1208, Overseas Decoration Building, #122 Zhenhua RD., Futian, Shenzhen, China





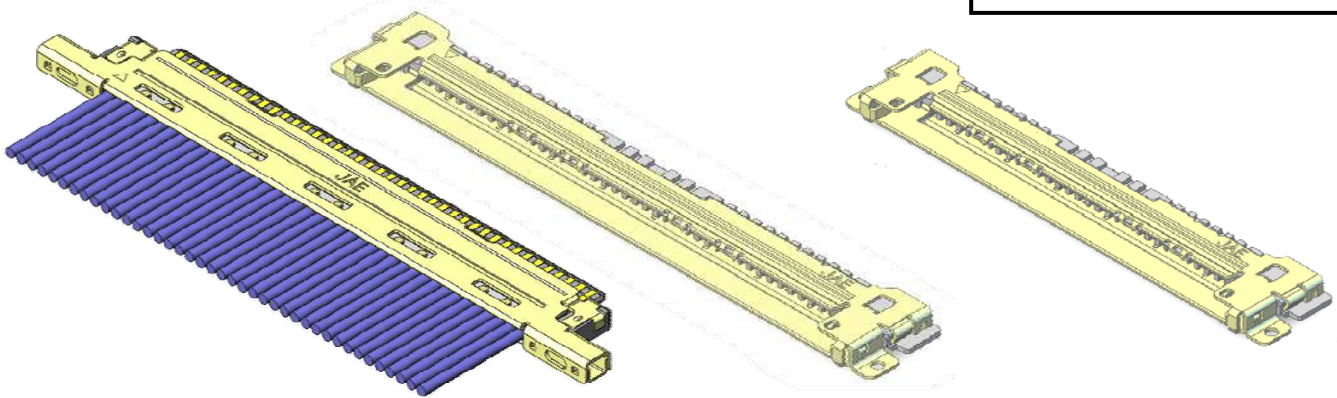
Board-to-Cable Connector for High-speed Transmission CONNECTOR

# HD Series Connector

MB-0247-1

June 2012

RoHS Compliant



40 position

30 position

JAE has recently developed the HD Series of connectors (HD1: 40 pos. HD2: 30 pos.) for notebook PC LCD interface applications. The HD Series connectors are compatible with LVDS transmission and LED backlight as standardized in the VESA® 16:9 Wide Notebook Panel Standard, and are licensed products for the Dai-ichi Seiko Co., Ltd. (I-PEX) CABLINE®-VS.

## Features

- Products licensed by Dai-ichi Seiko Co., Ltd. (I-PEX)
- Fully compatible with the Dai-ichi Seiko., Ltd. (I-PEX) CABLINE®-VS
- Compatible with LVDS transmission
- HD1: 40 position (receptacle and plug); HD2: 30 position (receptacle)
- Pb-free
- Halogen-free

Note: CABLINE-VS is a registered trademark of Dai-ichi Seiko Co., Ltd. (I-PEX)

LICENSED BY DAI-ICHI SEIKO CO., LTD. (I-PEX)

## General Specifications

- Number of Contacts:  
40 (HD1), 30 (HD2)
- Applicable Cable:  
AWG#32 to 36 (Discrete cable)  
AWG#36 to 44 (Micro-coaxial cable)
- Rated Current:  
1.0A per contact AC/DC [AWG#32]  
1.0A per contact AC/DC [AWG#34]  
0.8A per contact AC/DC [AWG#36]  
0.3A per contact AC/DC [AWG#40]  
0.24A per contact AC/DC [AWG#42]  
0.1A per contact AC/DC [AWG#44]
- Rated Voltage:  
AC, DC each 100V per contact
- Operating temperature:  
-40 Deg. C to 85 Deg. C
- Pitch: 0.5mm
- Dielectric Withstanding Voltage:  
AC250V r.m.s. per minute
- Contact Resistance\*:  
AWG#32: 140m  $\Omega$  max.  
AWG#34: 180m  $\Omega$  max.  
AWG#36: 275m  $\Omega$  max.  
AWG#40: 600m  $\Omega$  max.  
AWG#42: 700m  $\Omega$  max.  
AWG#44: 1080m  $\Omega$  max.
- Insulation Resistance: 1000M  $\Omega$  min.

\*Values include the following conductor resistance of 100mm cable.

- AWG#32: 60m  $\Omega$  max.
- AWG#34: 100m  $\Omega$  max.
- AWG#36: 160 to 195m  $\Omega$  max.
- AWG#40: 485 to 520m  $\Omega$  max.
- AWG#42: 585 to 620m  $\Omega$  max.
- AWG#44: 1000m  $\Omega$  max.

## Materials / Finishes

### Board Side Receptacle Connector HD1S040HA1, HD2S030HA1

Component	Material / Finish
Contact	Copper alloy / Au plating over Ni (contact area)
Insulator	Heat resistance plastic / No finish
Shell	Copper alloy / Au plating over Ni

### Plug Connector HD1P040MA1

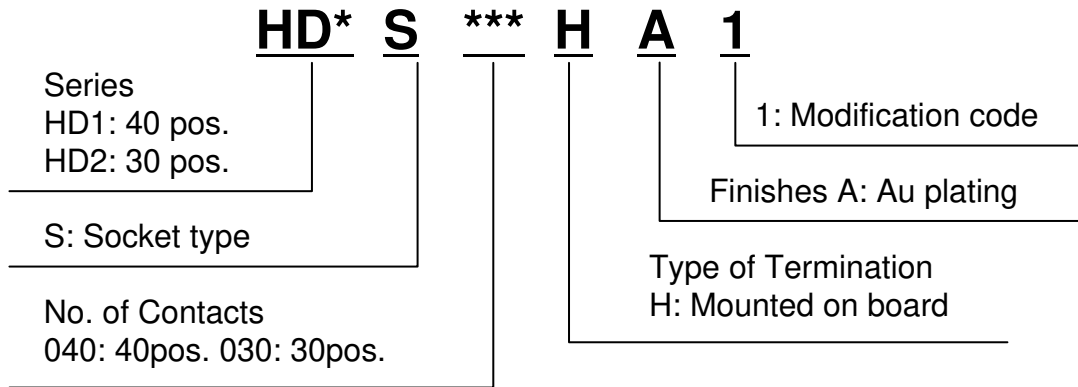
Component	Material / Finish
Contact	Copper alloy / Au plating over Ni
Insulator	Heat resistance plastic / No finish
Base shell	Copper alloy / Au plating over Ni

### Cover Shell for Plug HD1P040-CSH2-10000

Component	Material / Finish
Cover shell	Copper alloy / Au plating over Ni

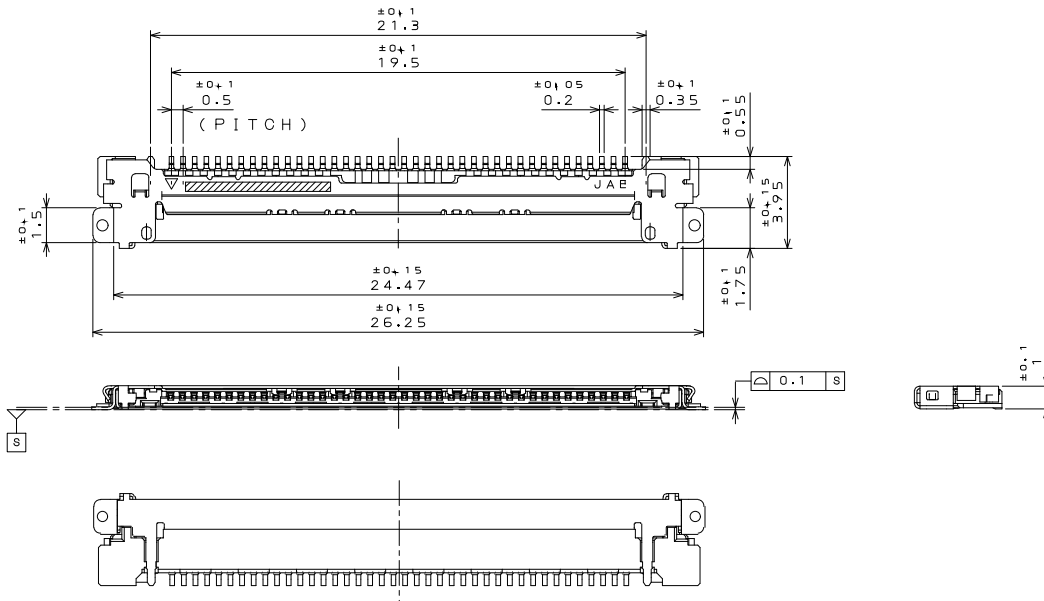
Ordering Information

Board Side Receptacle Connector (SJ110381, SJ110547)

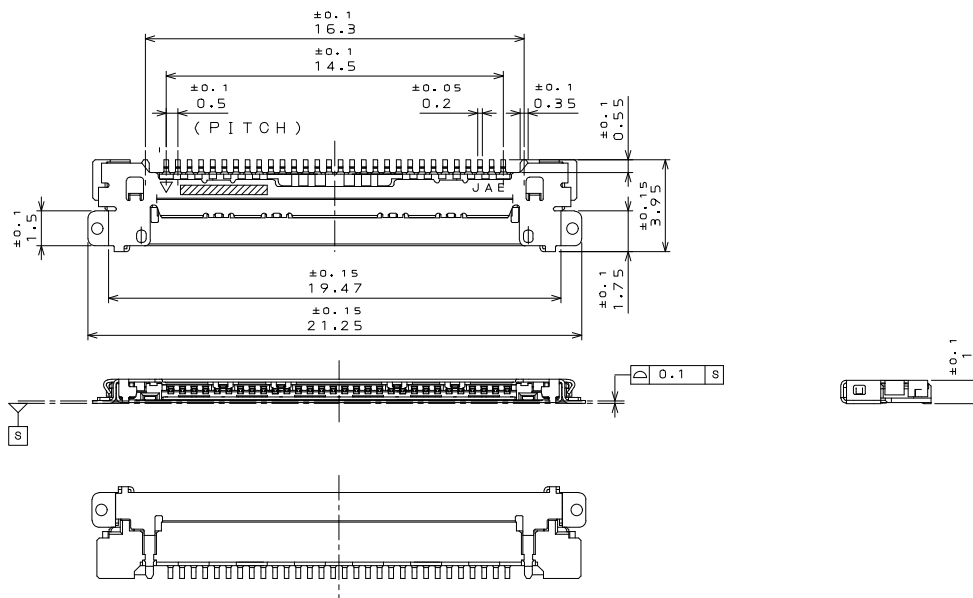


HD1S040HA1 (SJ110381)

Unit: mm



HD2S030HA1 (SJ110547)



Ordering Information

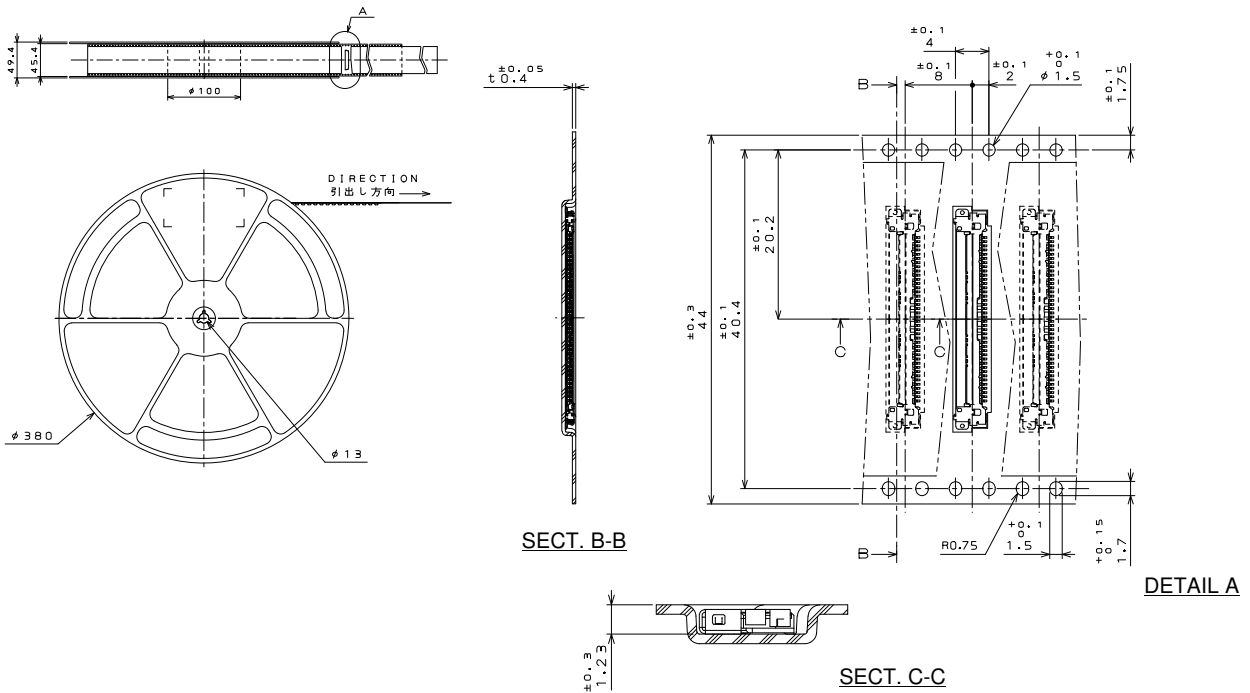
Board Side Connector (Embossed packaging)  
(SJ110382, SJ110548)

**HD\* S \*\*\* H A 1 R6000**

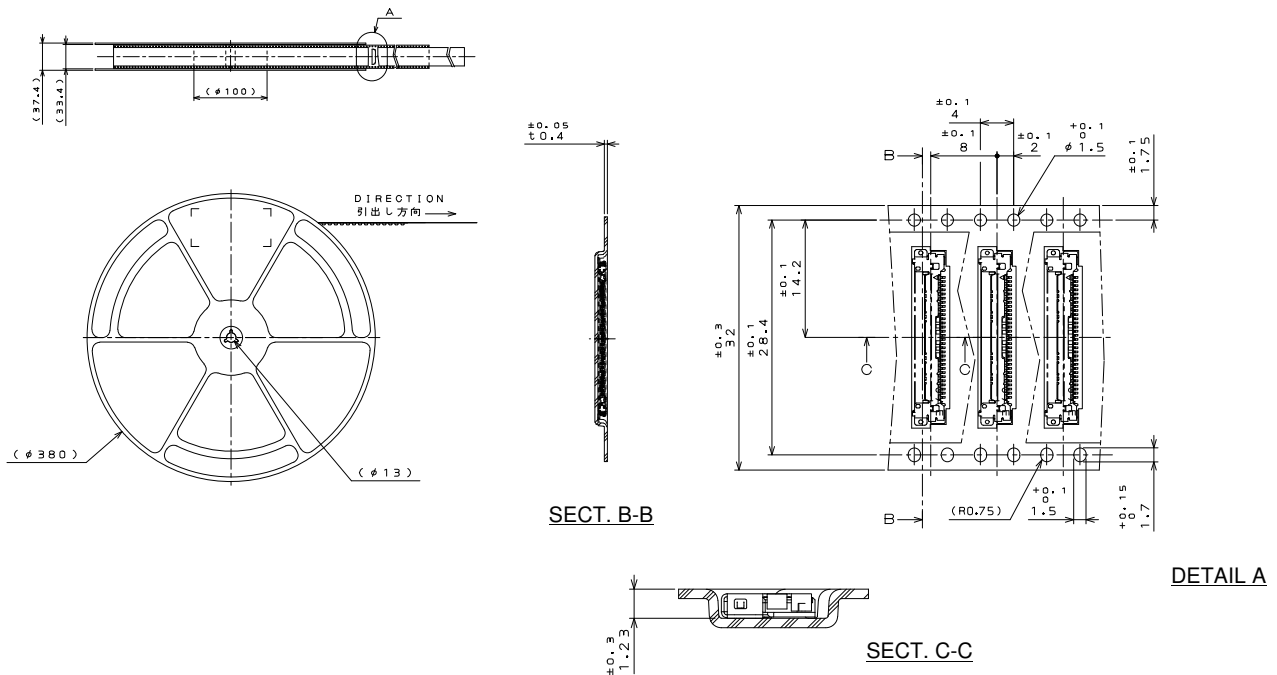
R: Embossed packaging of 6000 pcs.

**HD1S040HA1R6000 (SJ110382)**

Unit: mm



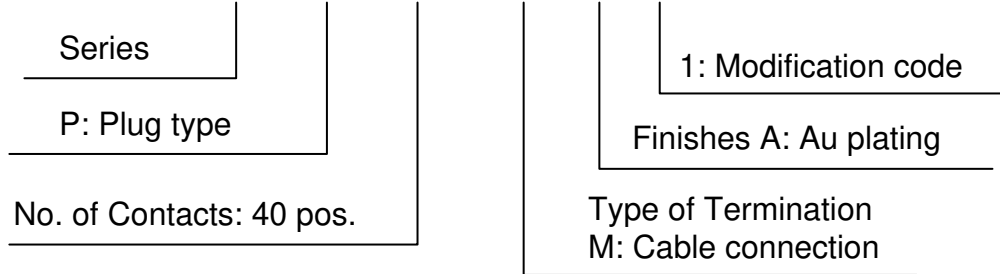
**HD2S030HA1R6000 (SJ110548)**



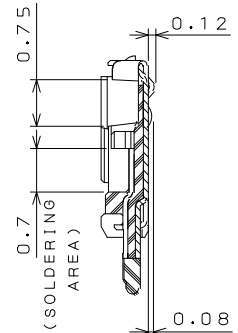
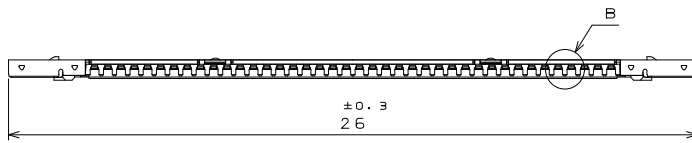
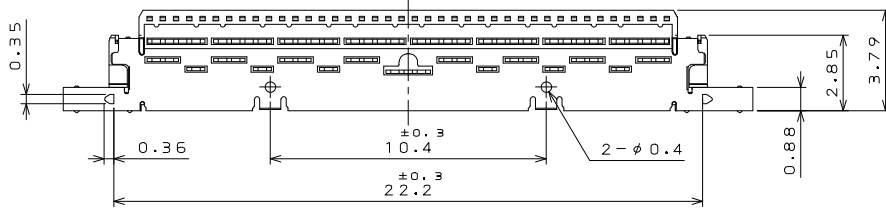
Ordering Information

Plug Connector (SJ111088)

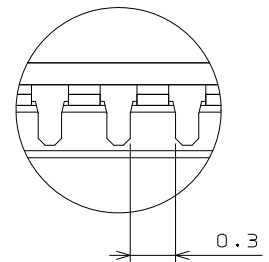
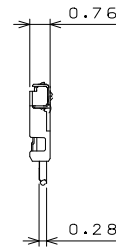
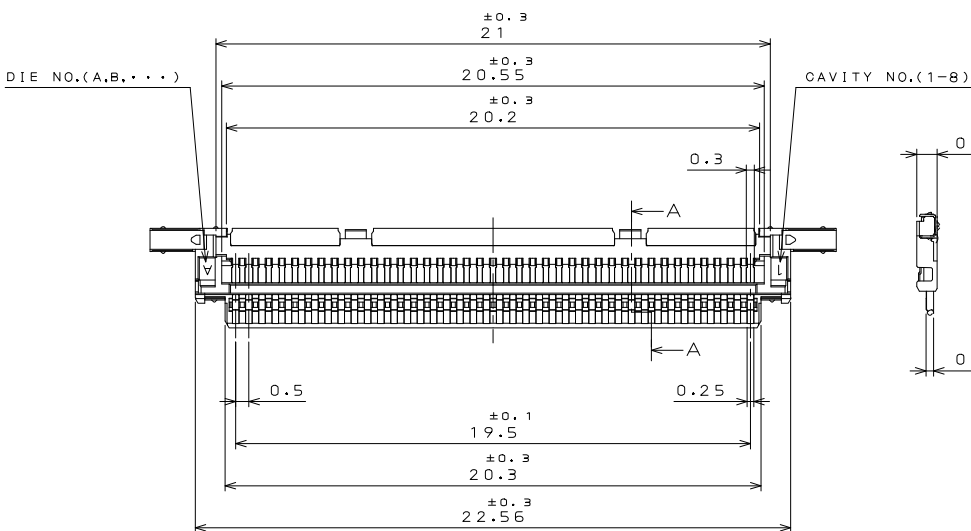
**HD1 P 040 M A 1**



Unit: mm



SECT. A-A



DETAIL B

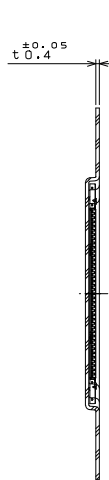
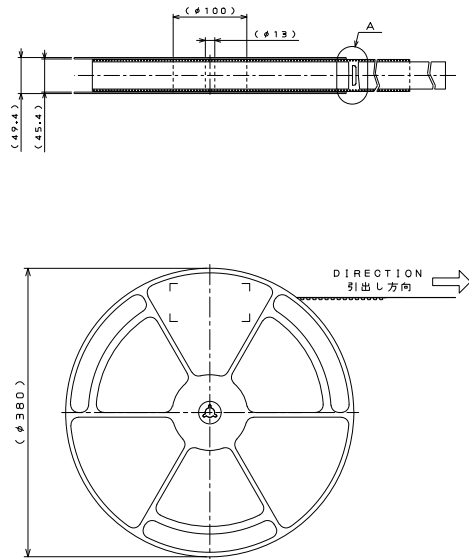
Ordering Information

Plug Connector (Embossed packaging) (SJ110089)

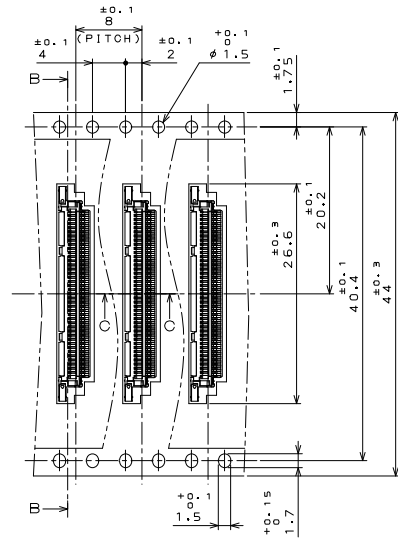
**HD1 P 040 M A 1 R6000**

R: Embossed packaging of 6000 pcs.

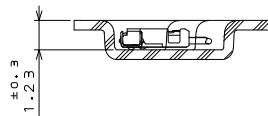
Unit: mm



SECT. B-B



DETAIL A

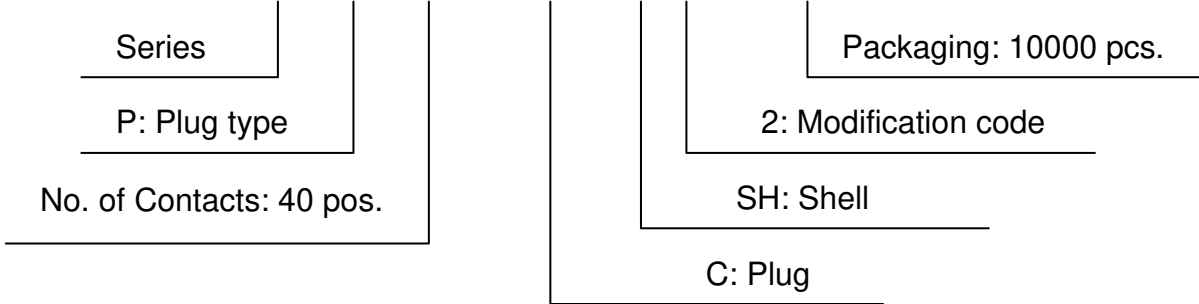


SECT. C-C

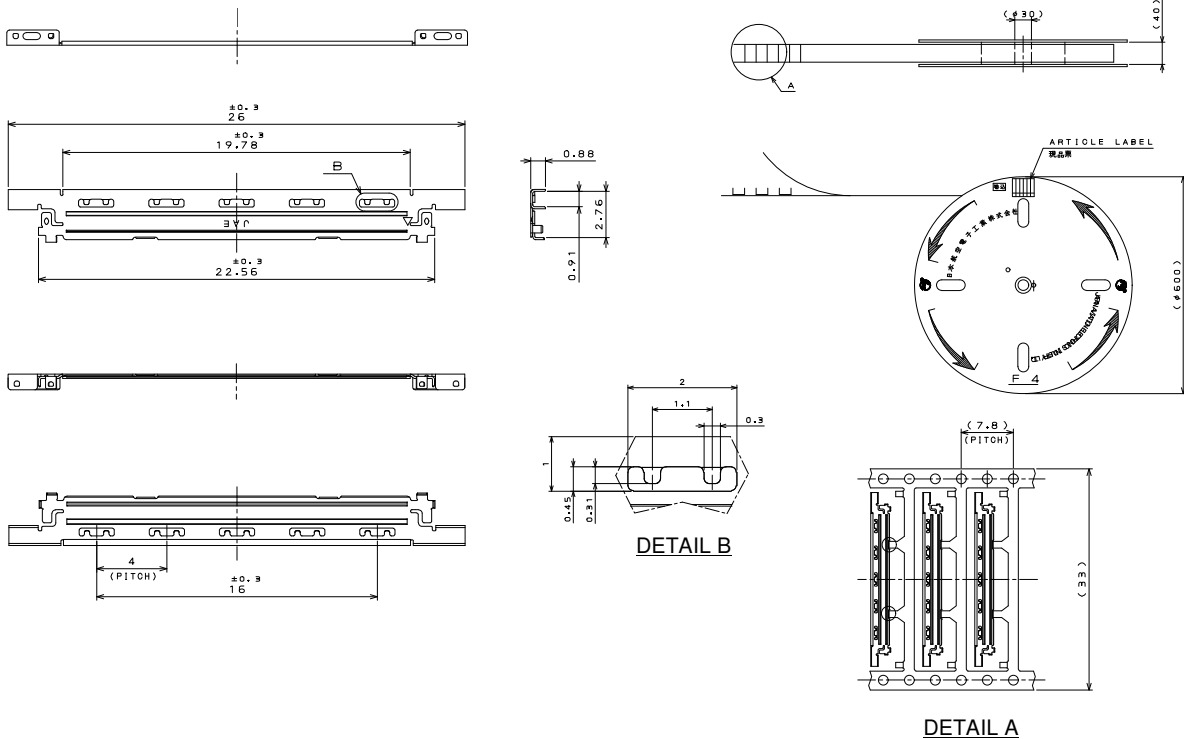
Ordering Information

Cover Shell (SJ111533)

**HD1 P 040 - C SH 2 - 10000**



Unit: mm





Related Information
---------------------

- Specifications Table (JACS): JACS-10696
- Handling Instructions (JAHL): JAHL-10696-1  
JAHL-10696-2 (Plug Assembly)

**Japan Aviation Electronics Industry, Limited**

Product Marketing Division

Aobadai Building, 3-1-19, Aobadai, Meguro-ku, Tokyo 153-8539

Phone: +81-3-3780-2787 FAX: +81-3-3780-2946

**Notice:** Products shown in this brochure are made for the applications listed below. However, if the above-mentioned products are to be used in aerospace devices, marine cable-connection devices, atomic power control systems, medical equipment for life-support systems, or any other specific application requiring extremely high reliability, please contact JAE for further information.

Recommended applications: Computers, Office machines, Measuring devices, Telecommunication devices (Terminals, Mobile devices), AV devices, Household applications, FA devices, etc.

\* The specifications in this brochure are subject to change without notice. Please contact JAE for information.