



Chipsmall Limited consists of a professional team with an average of over 10 year of expertise in the distribution of electronic components. Based in Hongkong, we have already established firm and mutual-benefit business relationships with customers from,Europe,America and south Asia,supplying obsolete and hard-to-find components to meet their specific needs.

With the principle of “Quality Parts,Customers Priority,Honest Operation,and Considerate Service”,our business mainly focus on the distribution of electronic components. Line cards we deal with include Microchip,ALPS,ROHM,Xilinx,Pulse,ON,Everlight and Freescale. Main products comprise IC,Modules,Potentiometer,IC Socket,Relay,Connector.Our parts cover such applications as commercial,industrial, and automotives areas.

We are looking forward to setting up business relationship with you and hope to provide you with the best service and solution. Let us make a better world for our industry!



Contact us

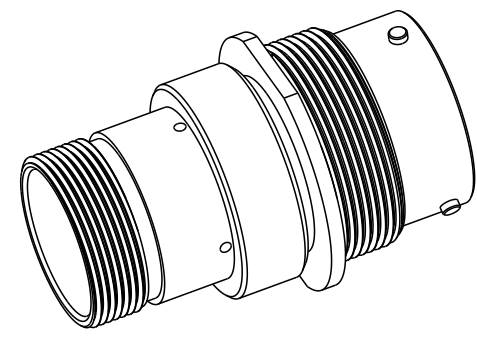
Tel: +86-755-8981 8866 Fax: +86-755-8427 6832

Email & Skype: info@chipsmall.com Web: www.chipsmall.com

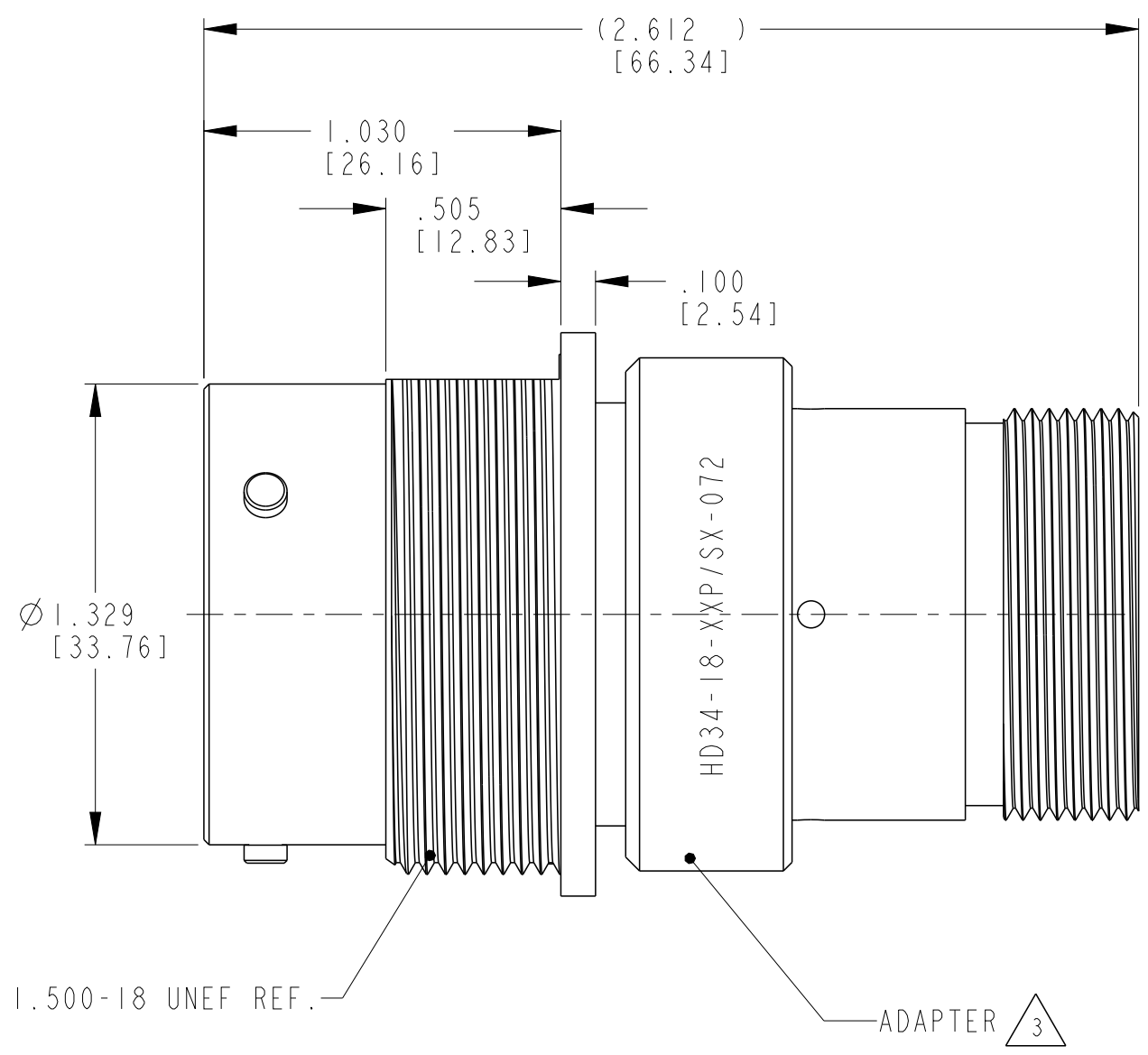
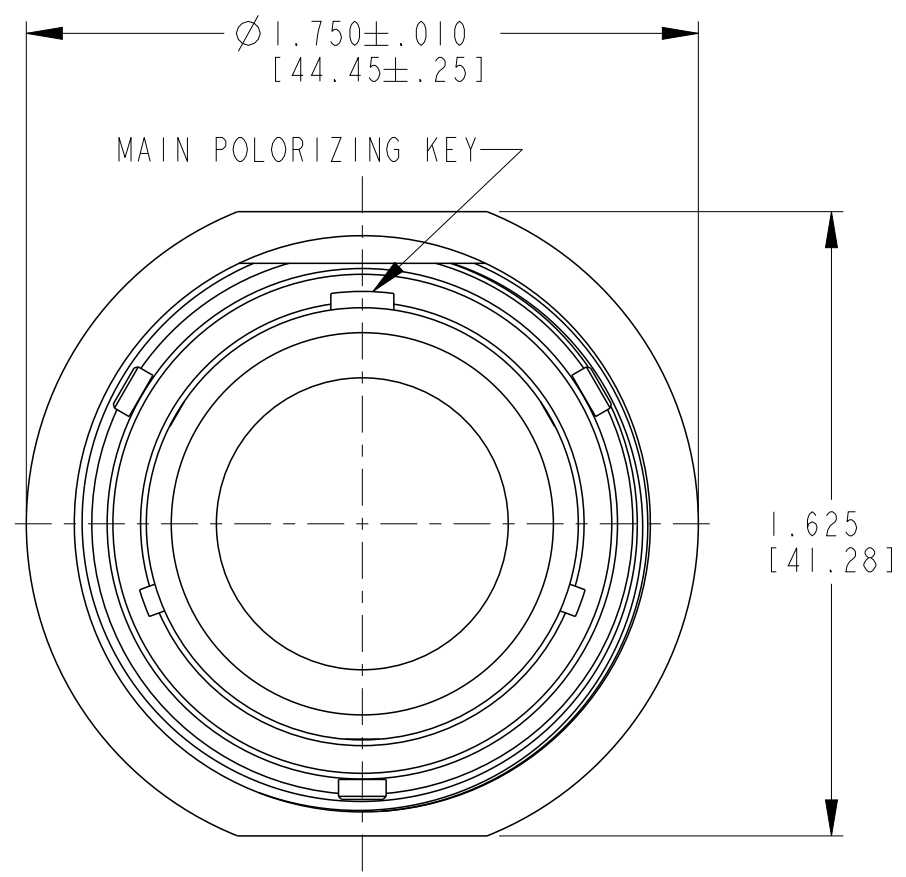
Address: A1208, Overseas Decoration Building, #122 Zhenhua RD., Futian, Shenzhen, China



LOC	DIST	REVISIONS			
P	LTR	DESCRIPTION	DATE	DWN	APVD
-	-	A1	NEW RELEASE PER E.O. P20001	15SEP2008	- DM
		A	REVISED PER E.O. P21009	19JUL2011	- RDR
		A1	REVISED PER ECO-15-001798	28AUG2014	VNB DM



3D VIEW



3. MATERIAL:
ADAPTER: AL 6000 SERIES

2. THE CONNECTOR MATES WITH HD36-18-XXP/SX-XXXX
X - SEAL DESIGNATION, XX = NUMBER OF CAVITIES,
XXXX = MODIFICATION DESIGNATION.

1. FOR ARRANGEMENT OF CONTACT LOCATION
SEE ENVELOPE DRAWING 0425-013-1800.

NOTES:

THIS DRAWING IS A CONTROLLED DOCUMENT.		DWN 30OCT2014 VIJETH BHARADWAJ	TE Connectivity	NAME RECEPTACLE CONNECTOR SHELL SIZE 18 BAYONET COUPLING MOD -072 HD30 SERIES
DIMENSIONS: INCHES [mm]		CHK 31OCT2014 I. GRANTCHAROVA		
TOLERANCES UNLESS OTHERWISE SPECIFIED:		APVD 31OCT2014 D. MEYER	PRODUCT SPEC 0425-016-0000	SIZE A3
0 PLC ±- 1 PLC ±- 2 PLC ±- 3 PLC ±.010 [±.254] 4 PLC ±- ANGLES ±0° 30' 0"		APPLICATION SPEC 0425-015-0000	RESTRICTED TO	
MATERIAL	FINISH	WEIGHT	CAGE CODE	DRAWING NO
			-	© HD34-18-XXP/SX-072
Customer Drawing			SCALE NONE	SHEET 1 OF 1 REV A1