



Chipsmall Limited consists of a professional team with an average of over 10 year of expertise in the distribution of electronic components. Based in Hongkong, we have already established firm and mutual-benefit business relationships with customers from,Europe,America and south Asia,supplying obsolete and hard-to-find components to meet their specific needs.

With the principle of “Quality Parts,Customers Priority,Honest Operation,and Considerate Service”,our business mainly focus on the distribution of electronic components. Line cards we deal with include Microchip,ALPS,ROHM,Xilinx,Pulse,ON,Everlight and Freescale. Main products comprise IC,Modules,Potentiometer,IC Socket,Relay,Connector.Our parts cover such applications as commercial,industrial, and automotives areas.

We are looking forward to setting up business relationship with you and hope to provide you with the best service and solution. Let us make a better world for our industry!



Contact us

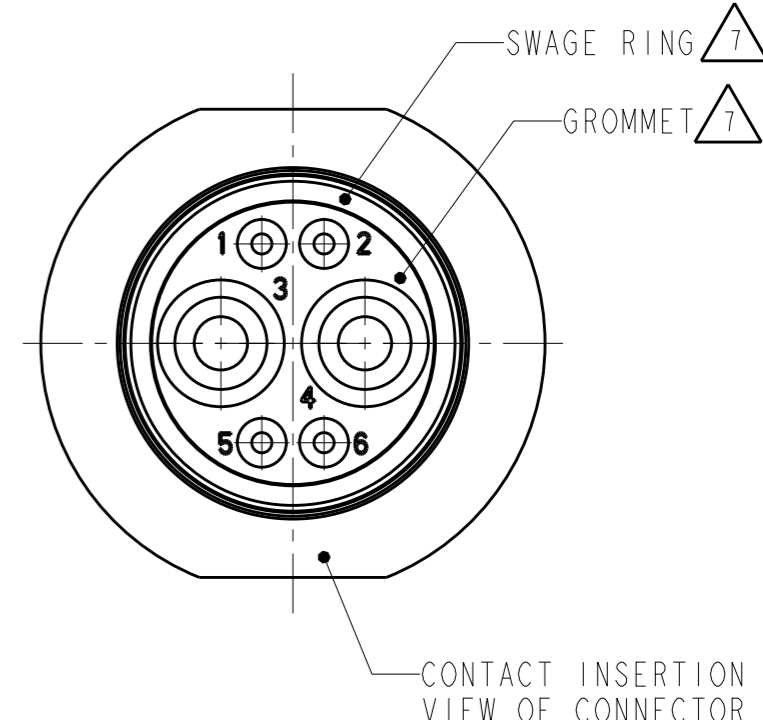
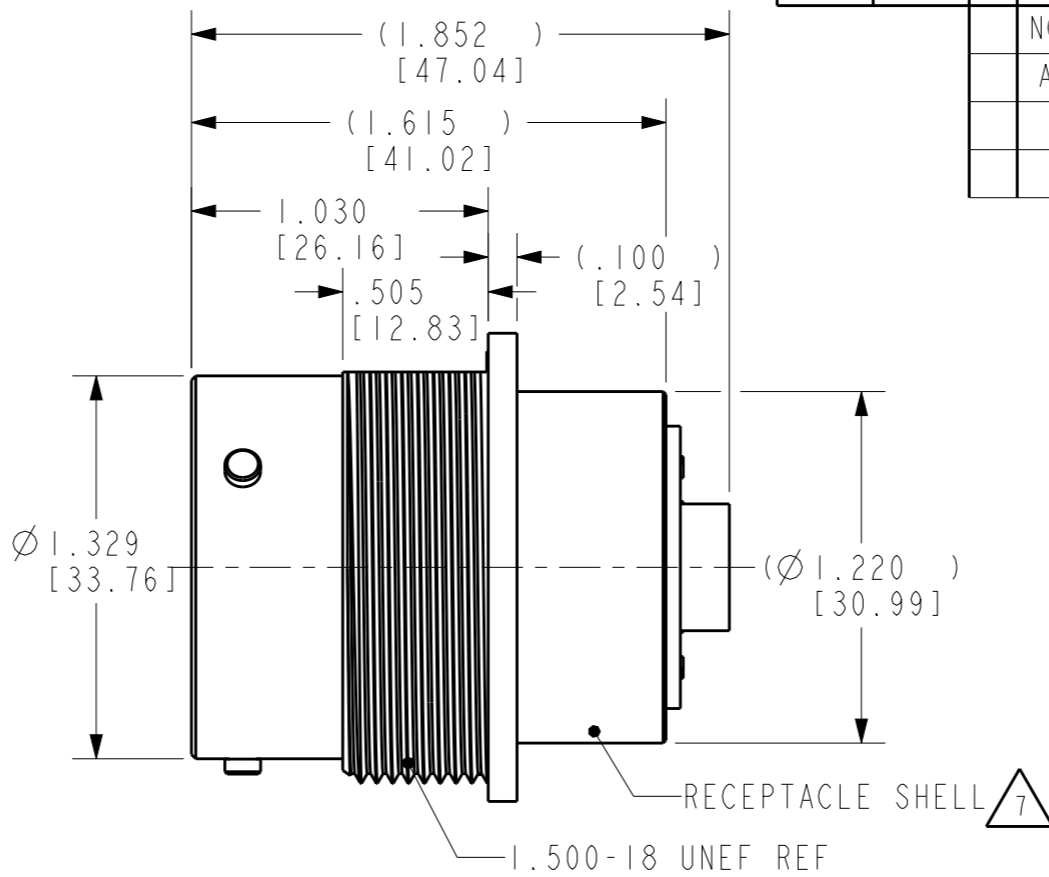
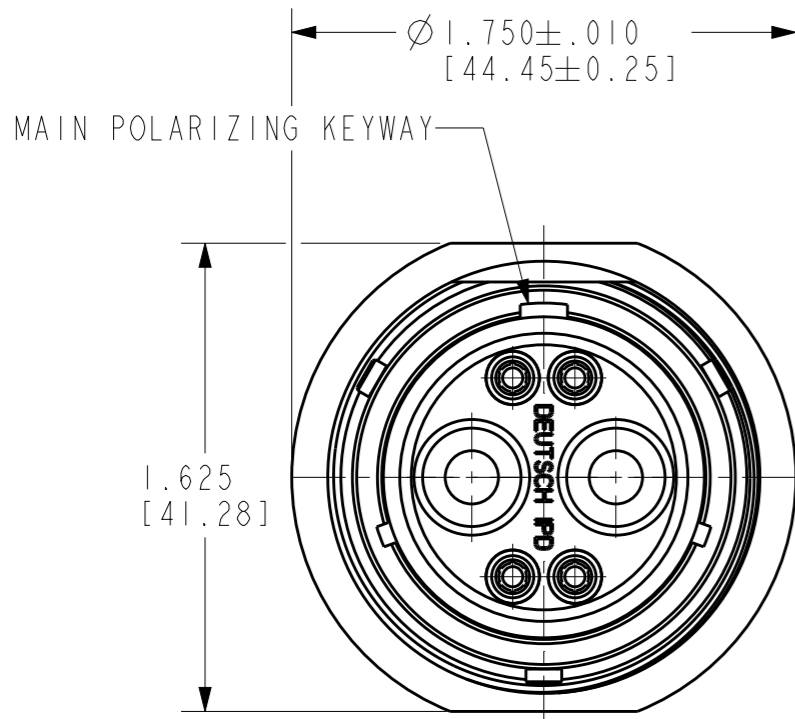
Tel: +86-755-8981 8866 Fax: +86-755-8427 6832

Email & Skype: info@chipsmall.com Web: www.chipsmall.com

Address: A1208, Overseas Decoration Building, #122 Zhenhua RD., Futian, Shenzhen, China



LOC	DIST	REVISIONS				
P	LTR	DESCRIPTION	DATE	DWN	APVD	
-	-	NC	NEW RELEASE PER E.O. PI9718	21FEB2008	-	RDR
-	-	A	REVISED PER ECO-15-001798	19MAR2015	VNB	DM



7. MATERIAL:
 RECEPTACLE HOUSING: AL 6000 SERIES
 SWAGE RING: PA 15%GF (GREEN FOR N-SEAL, BLUE FOR E-SEAL)
 GROMMET: SILICONE VMQ (RED)

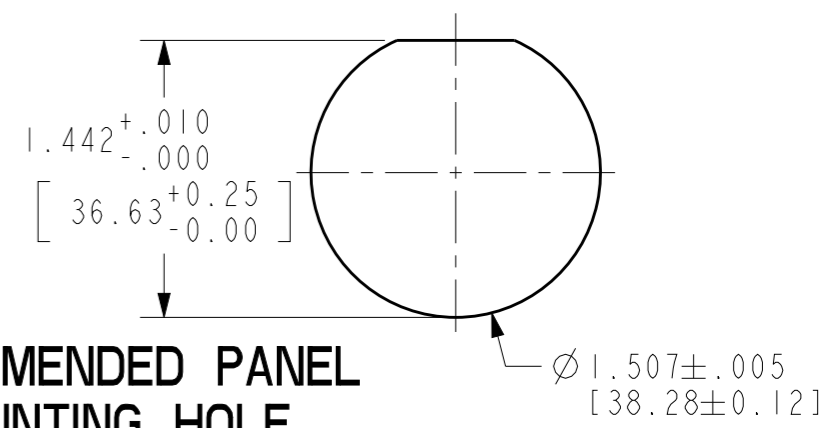
5. WHEN X = N: NORMAL SEAL WHEN X = E: REDUCED DIAMETER E-SEAL.

4. THIS PART MATES WITH PART NO. HD36-18-6PX-XXXX.
 XXXX= ALL MODIFICATIONS, X= TYPE OF SEAL.

3. RECOMMENDED PANEL THICKNESS: .062 [1.58] TO .1875 [4.76].

2. THIS CONNECTOR WILL ACCOMODATE THE FOLLOWING WIRE INSULATION DIAMETERS:

5 SEAL TYPE	CONTACT SIZE	MIN INSULATION O.D.	MAX INSULATION O.D.	6 WIRE GAUGE AWG [mm ²] RANGE
N	16	.100 [2.54]	.134 [3.40]	14-20 [2.0-0.5mm ²]
E	16	.053 [1.35]	.120 [3.05]	14-20 [2.0-0.5mm ²]
N or E	4	.261 [6.63]	.292 [7.42]	6 [13mm ²]



RECOMMENDED PANEL MOUNTING HOLE

1. CONSULT FACTORY FOR ELECTRICAL AND MATERIAL SPECIFICATIONS.

NOTES:

THIS DRAWING IS A CONTROLLED DOCUMENT.		DWN 02 JAN 2008 I. GRANTCHAROVA			
DIMENSIONS: INCHES [mm]		CHK 18 FEB 2008 B. BAYFORD			
TOLERANCES UNLESS OTHERWISE SPECIFIED:		APVD 14 FEB 2008 S. BEARD		NAME RECEPTACLE CONNECTOR 18-6 ARR. BAYONET COUPLING	
0 PLC ±-		PRODUCT SPEC 0425-016-0000		SIZE A3	
1 PLC ±-		APPLICATION SPEC 0425-015-0000		CAGE CODE -	
2 PLC ±-		WEIGHT 50.35g		DRAWING NO C=HD34-18-6SX	
3 PLC ±.010 [±.254]		Customer Drawing		RESTRICTED TO -	
4 PLC ±-		SCALE NONE		SHEET 1 OF 1	
ANGLES ±° 30' 0"		FINISH -		REV A	