



Chipsmall Limited consists of a professional team with an average of over 10 year of expertise in the distribution of electronic components. Based in Hongkong, we have already established firm and mutual-benefit business relationships with customers from,Europe,America and south Asia,supplying obsolete and hard-to-find components to meet their specific needs.

With the principle of “Quality Parts,Customers Priority,Honest Operation,and Considerate Service”,our business mainly focus on the distribution of electronic components. Line cards we deal with include Microchip,ALPS,ROHM,Xilinx,Pulse,ON,Everlight and Freescale. Main products comprise IC,Modules,Potentiometer,IC Socket,Relay,Connector.Our parts cover such applications as commercial,industrial, and automotives areas.

We are looking forward to setting up business relationship with you and hope to provide you with the best service and solution. Let us make a better world for our industry!



## Contact us

Tel: +86-755-8981 8866 Fax: +86-755-8427 6832

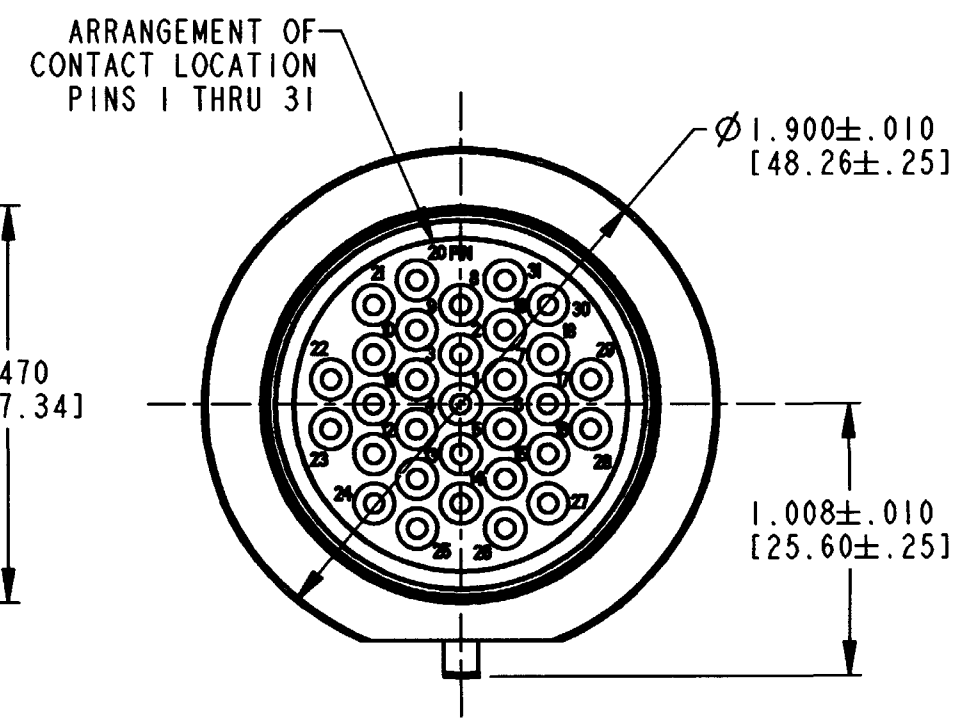
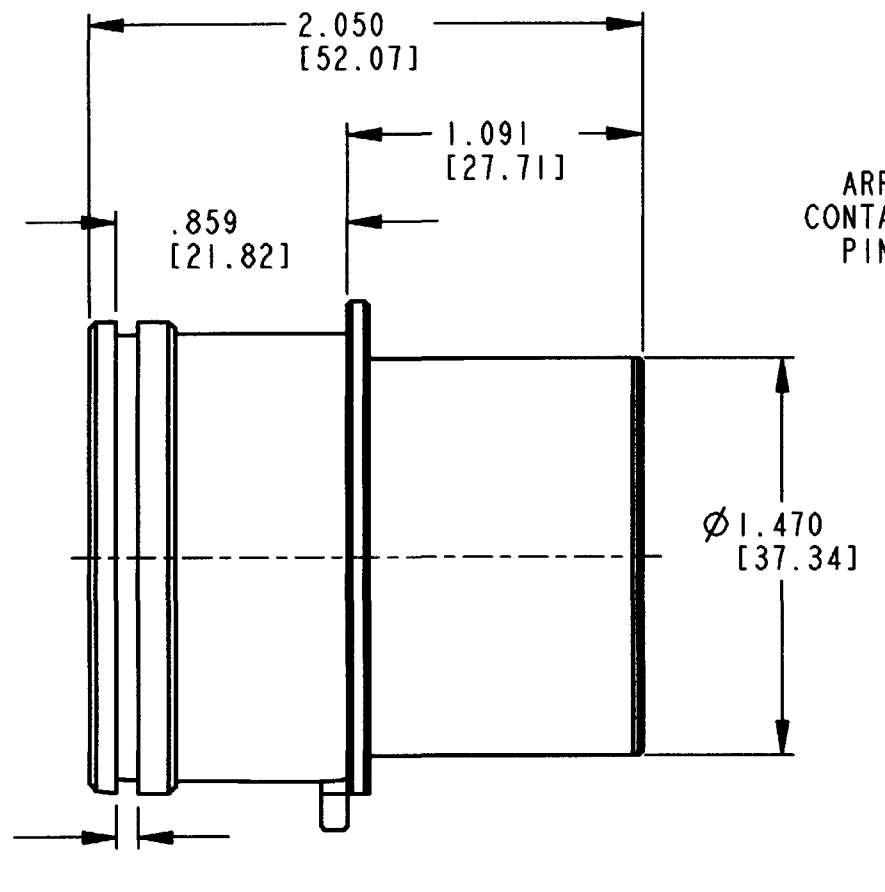
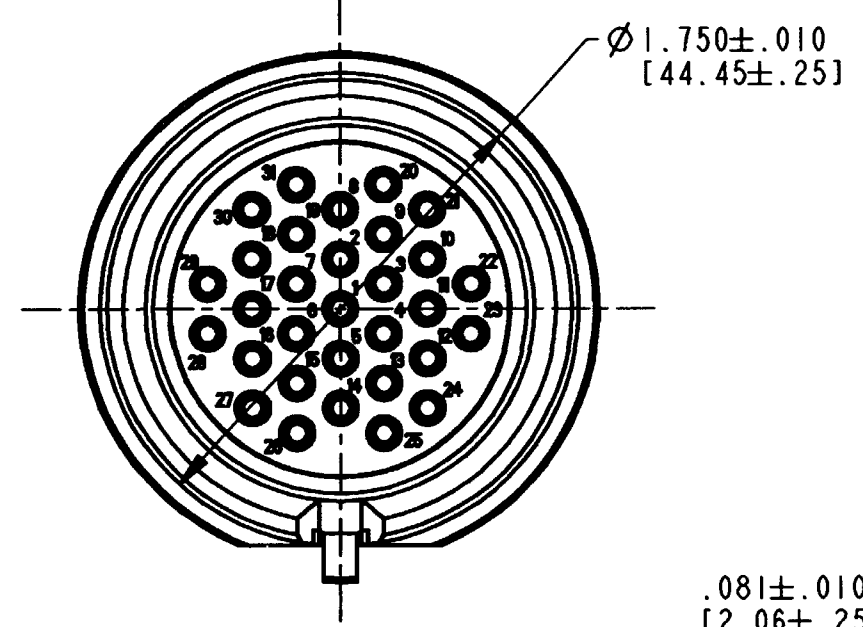
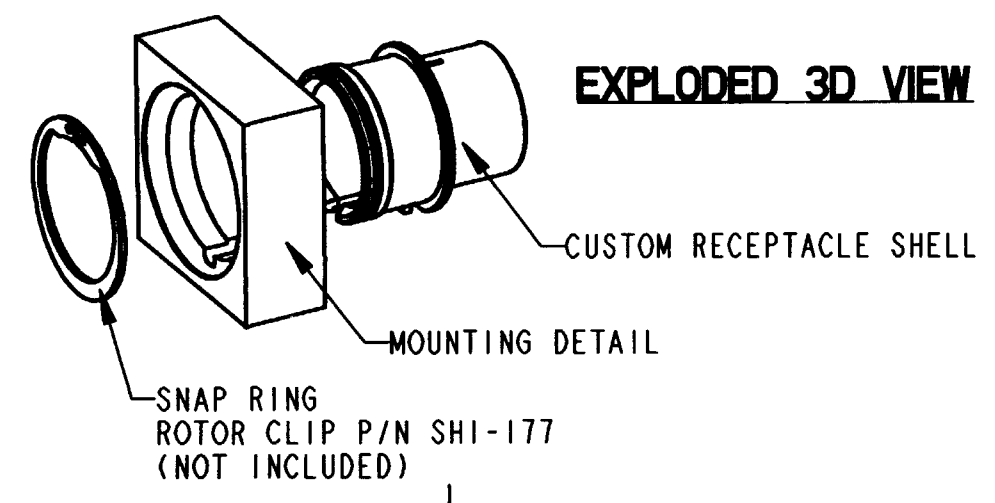
Email & Skype: info@chipsmall.com Web: www.chipsmall.com

Address: A1208, Overseas Decoration Building, #122 Zhenhua RD., Futian, Shenzhen, China



REV  
A **HD34-24-31P\*B019**

REVISIONS			
SYM	DESCRIPTION	DATE	APPROVED
NC	NEW RELEASE PER E.O. P18345	10/3/03	R.D.R.
A	REVISED PER E.O. P18393	11-24-03	RDR



6. .050 REF [1.28] NOMINAL CONNECTOR FLOAT BETWEEN SNAP RING AND SIDE OF MOUNTING.
5. THIS PART MATES WITH HD36-24-31S\*-B019 (\* INDICATES WIRE SEAL TYPE)
4. FOR CONTACTS, WIRE PERFORMANCE AND APPLICATION CHARACTERISTICS SEE ENVELOPE DWG. 0425-015-0000.
3. FOR PERFORMANCE AND APPLICATION CHARACTERISTICS SEE ENVELOPE DWG 0425-016-0000. MOUNTING APPLICATION NOT APPLICABLE TO HD34-24-31P\*-B019. REFER TO SHEET -2- OF THIS DRAWING FOR CUSTOM MOUNTING APPLICATION.
2. ALL DIMENSIONS ARE  $\pm .025$  [ $\pm 0.64$ ] EXCLUDING RUBBER UNLESS OTHERWISE SPECIFIED.
1. ALL DIMENSIONS ARE INCHES [MILLIMETERS].
- NOTES:

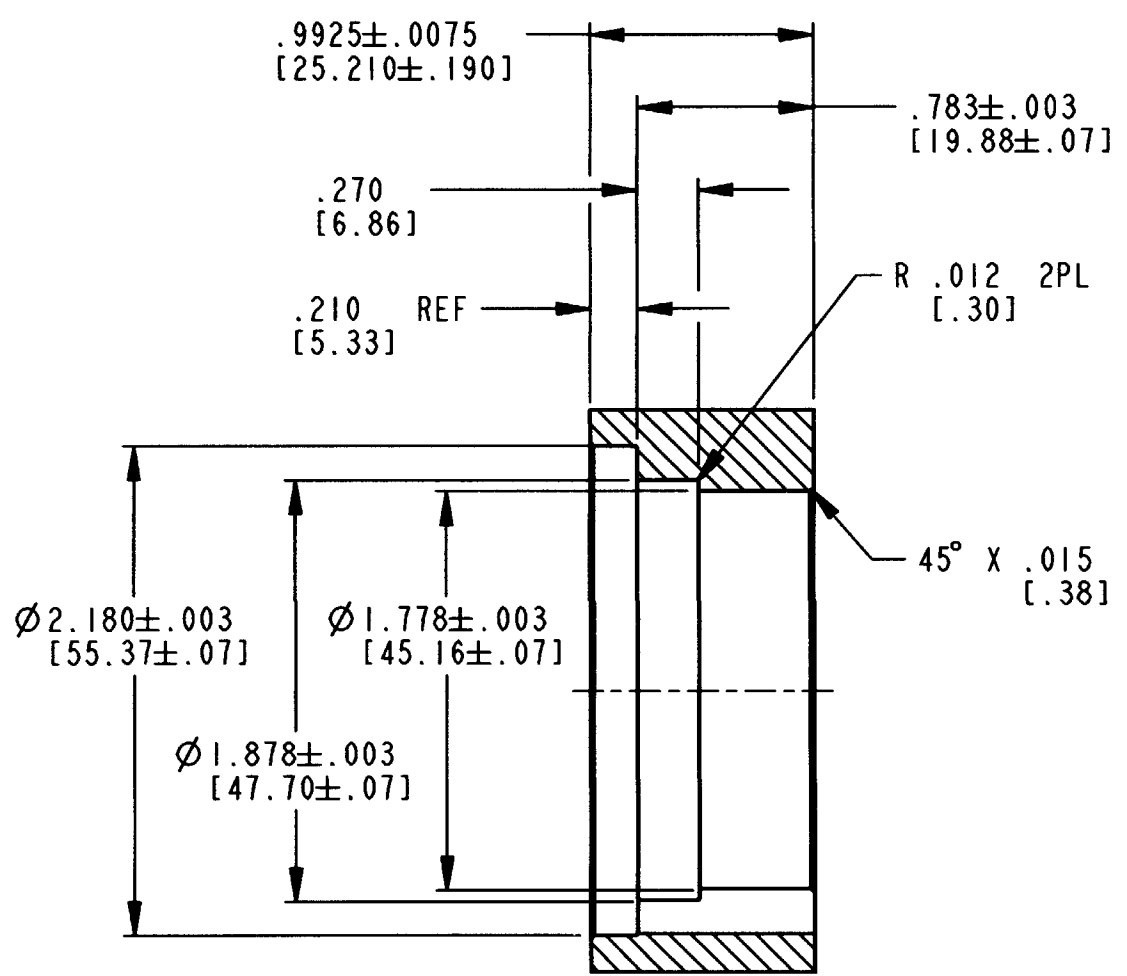
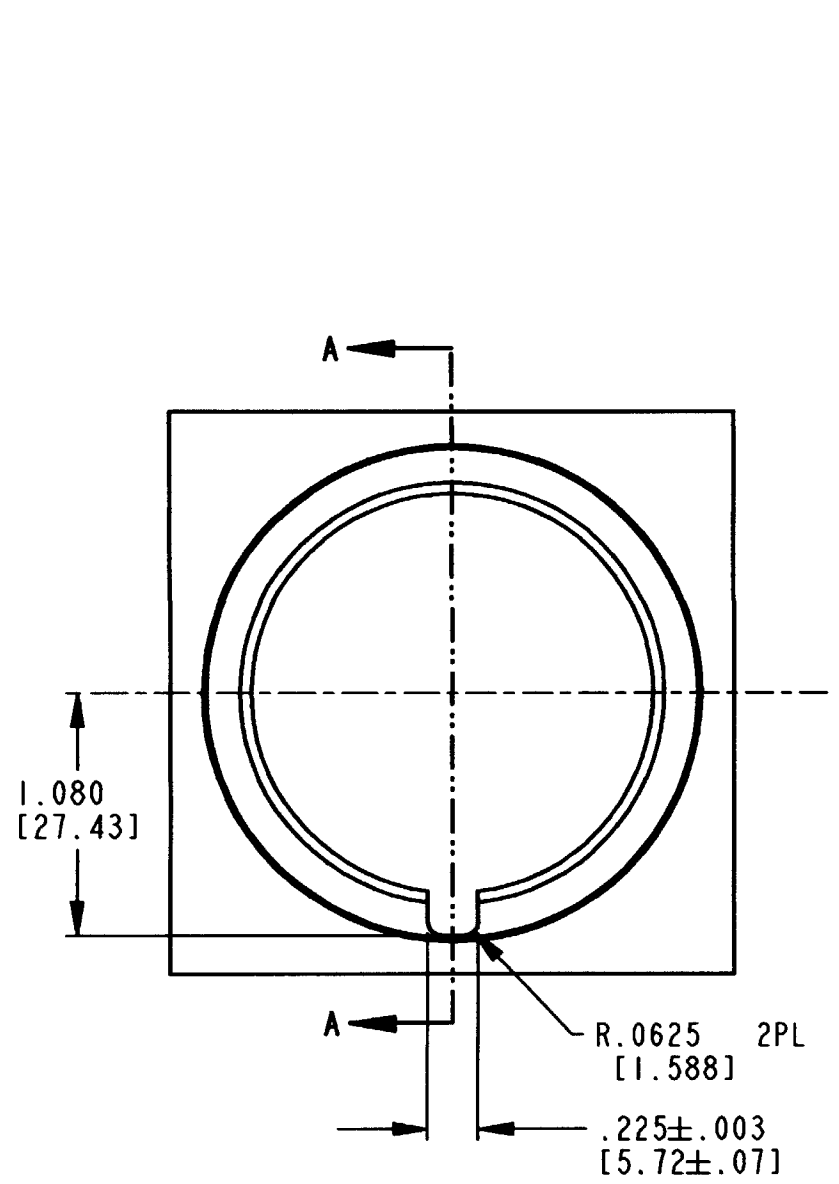
SIGNATURE & DATE	
DR	A.ROLINSKI 10/01/03
CHK	P. Byford 11/17/03
PE	A. Rolinski 11/14/03
APPD	SBand 11-14-03
SCALE	NONE
WT	—

**31 WAY CUSTOM MOUNT RECEPTACLE CONNECTOR SHELL SIZE 24 HD30 SERIES**

ENVELOPE

CP	MATL. CODE
<b>The Deutsch Company</b>	
DEUTSCH I.P.D. 3850 INDUSTRIAL AVE. HEMET, CALIF. 92545	
<b>B</b>	<b>HD34-24-31P*-B019</b>
DWG SIZE	CODE 11139 SHEET 1 OF 2

REV A	HD34-24-31P*-B019	REVISIONS		
SYM	DESCRIPTION	DATE	APPROVED	
A	SEE SHEET 1	11-24-03	RDR	



**MOUNTING DETAIL FOR RECEPTACLE**  
 ALL DIMENSIONS ARE ±.005  
 UNLESS OTHERWISE SPECIFIED

NOTES: SEE NOTES ON SHEET -1-

SIGNATURE & DATE	
DR	A. ROLINSKI 10/01/03
CHK	B. [Signature] 11/14/03
PE	[Signature] 11/14/03
APPD	[Signature] 11-14-03
SCALE	NONE WT

31 WAY CUSTOM MOUNT  
 RECEPTACLE CONNECTOR  
 SHELL SIZE 24  
 HD30 SERIES

ENVELOPE

CP	MATL. CODE
<b>The Deutsch Company</b> DEUTSCH I.P.D. 3850 INDUSTRIAL AVE. HEMET, CALIF. 92545	
<b>B</b>	<b>HD34-24-31P*-B019</b>
DWG SIZE	CODE 11139 SHEET 2 OF 2