



Chipsmall Limited consists of a professional team with an average of over 10 year of expertise in the distribution of electronic components. Based in Hongkong, we have already established firm and mutual-benefit business relationships with customers from,Europe,America and south Asia,supplying obsolete and hard-to-find components to meet their specific needs.

With the principle of “Quality Parts,Customers Priority,Honest Operation,and Considerate Service”,our business mainly focus on the distribution of electronic components. Line cards we deal with include Microchip,ALPS,ROHM,Xilinx,Pulse,ON,Everlight and Freescale. Main products comprise IC,Modules,Potentiometer,IC Socket,Relay,Connector.Our parts cover such applications as commercial,industrial, and automotives areas.

We are looking forward to setting up business relationship with you and hope to provide you with the best service and solution. Let us make a better world for our industry!



Contact us

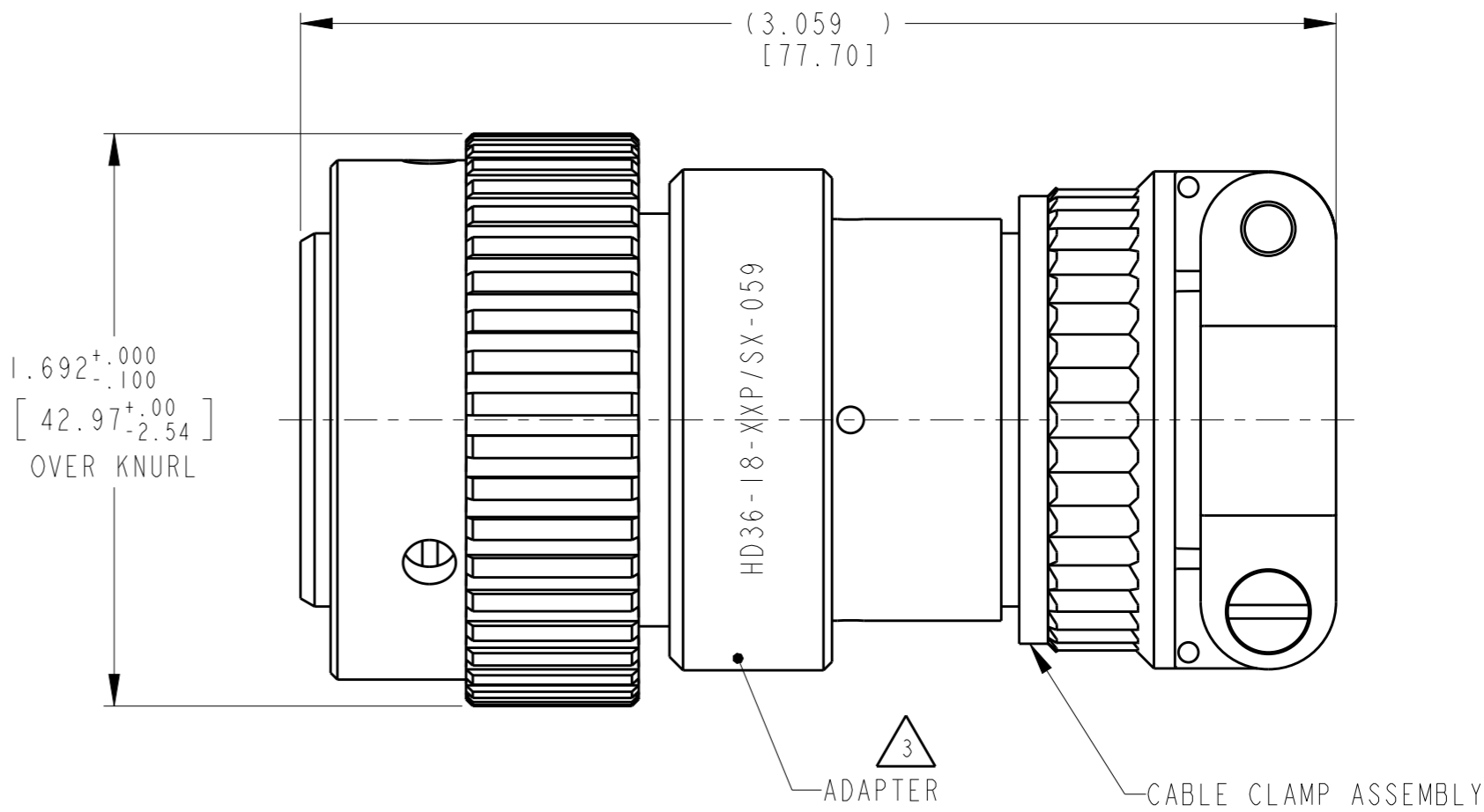
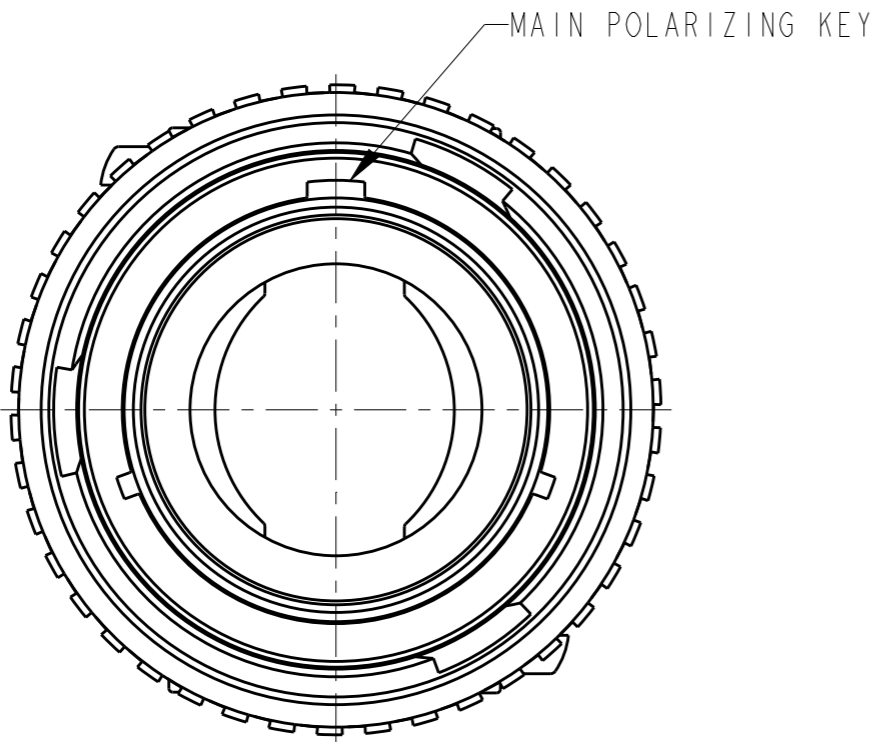
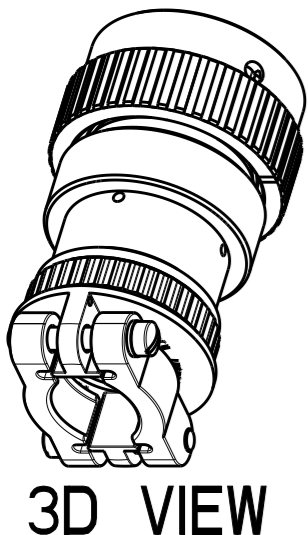
Tel: +86-755-8981 8866 Fax: +86-755-8427 6832

Email & Skype: info@chipsmall.com Web: www.chipsmall.com

Address: A1208, Overseas Decoration Building, #122 Zhenhua RD., Futian, Shenzhen, China



| LOC | DIST | REVISIONS | | | | |
|-----|------|-------------|-----------------------------|-----------|------|-----|
| P | LTR | DESCRIPTION | DATE | DWN | APVD | |
| - | - | NC | NEW RELEASE PER E.O. P19474 | 12FEB2007 | - | RDR |
| | | A | REVISED PER E.O. P21009 | 19JUL2011 | - | RDR |
| | | AI | REVISED PER ECO-15-001798 | 19MAR2015 | VNB | DM |



3. MATERIAL:
 ADAPTER: AL 6000 SERIES

2. THE CONNECTOR MATES WITH HD34-18-XXS/PX-XXXX
 X = SEAL DESIGNATION, XX = NUMBER OF CAVITIES,
 XXXX = MODIFICATION DESIGNATION.

1. FOR ARRANGEMENT OF CONTACT LOCATION SEE ENVELOPE DRAWING 0425-013-1800

NOTES:

| | | | | |
|---|-------------|-----------------------------------|--|----------------------------------|
| THIS DRAWING IS A CONTROLLED DOCUMENT. | | DWN A. MALAGON 08FEB2007 | | |
| DIMENSIONS: INCHES [mm] | | CHK B. BAYFORD 14JUL2011 | | |
| TOLERANCES UNLESS OTHERWISE SPECIFIED: | | APVD S. BEARD 12JUL2011 | NAME PLUG CONNECTOR SHELL SIZE 18 BAYONET COUPLING-059 MOD. HD30 SERIES | |
| | | PRODUCT SPEC 0425-016-0000 | SIZE A3 | RESTRICTED TO |
| 0 PLC ±- 1 PLC ±- 2 PLC ±- 3 PLC ±.010 [±.254] 4 PLC ±- ANGLES ±° 30' 0" | | APPLICATION SPEC 0425-015-0000 | CAGE CODE - | DRAWING NO HD36-18-XXP/SX-059 |
| MATERIAL SEE NOTE | FINISH - | WEIGHT - | SCALE NONE | SHEET 1 OF 1 |
| | | Customer Drawing | REV AI | |