



Chipsmall Limited consists of a professional team with an average of over 10 year of expertise in the distribution of electronic components. Based in Hongkong, we have already established firm and mutual-benefit business relationships with customers from,Europe,America and south Asia,supplying obsolete and hard-to-find components to meet their specific needs.

With the principle of “Quality Parts,Customers Priority,Honest Operation,and Considerate Service”,our business mainly focus on the distribution of electronic components. Line cards we deal with include Microchip,ALPS,ROHM,Xilinx,Pulse,ON,Everlight and Freescale. Main products comprise IC,Modules,Potentiometer,IC Socket,Relay,Connector.Our parts cover such applications as commercial,industrial, and automotives areas.

We are looking forward to setting up business relationship with you and hope to provide you with the best service and solution. Let us make a better world for our industry!



Contact us

Tel: +86-755-8981 8866 Fax: +86-755-8427 6832

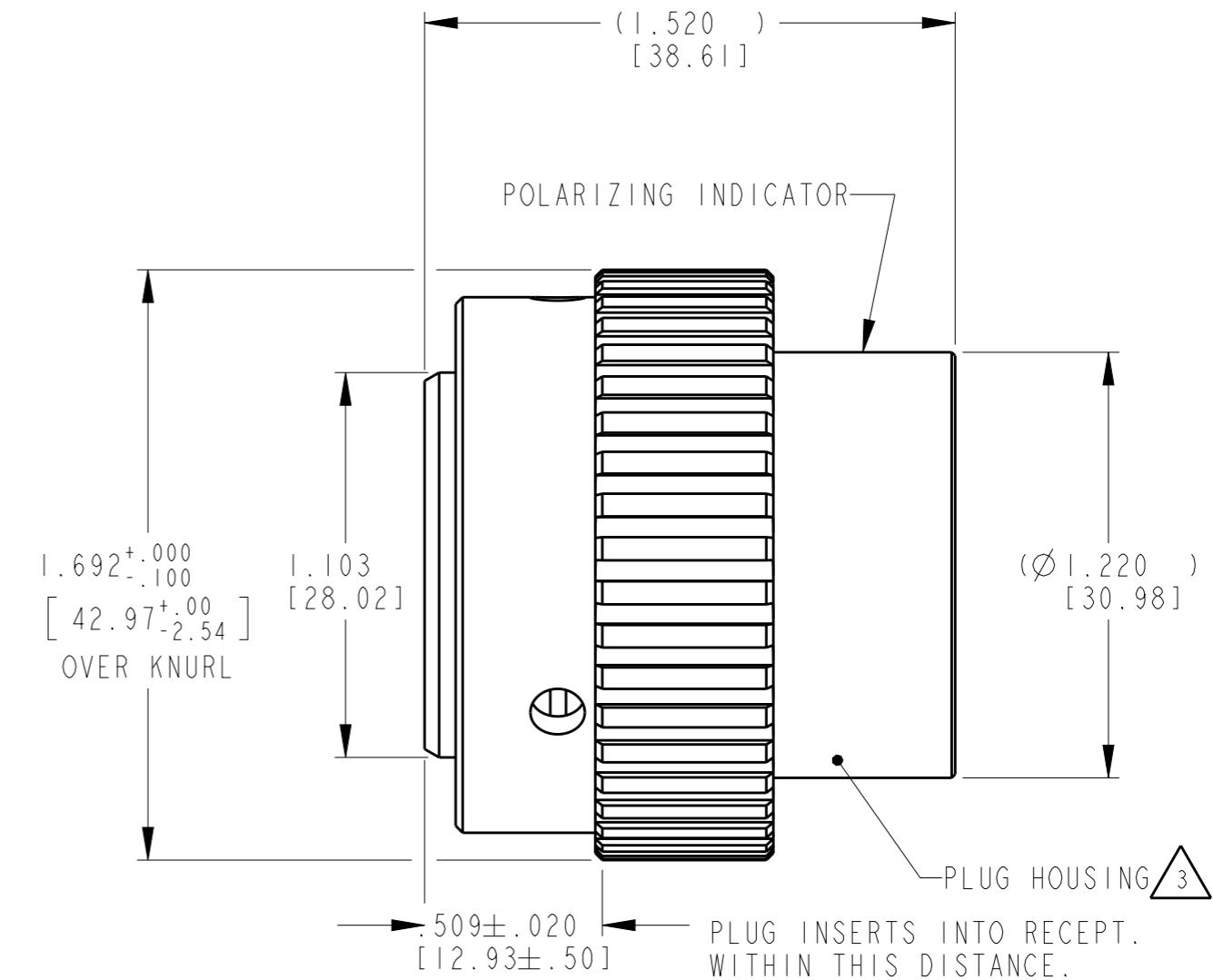
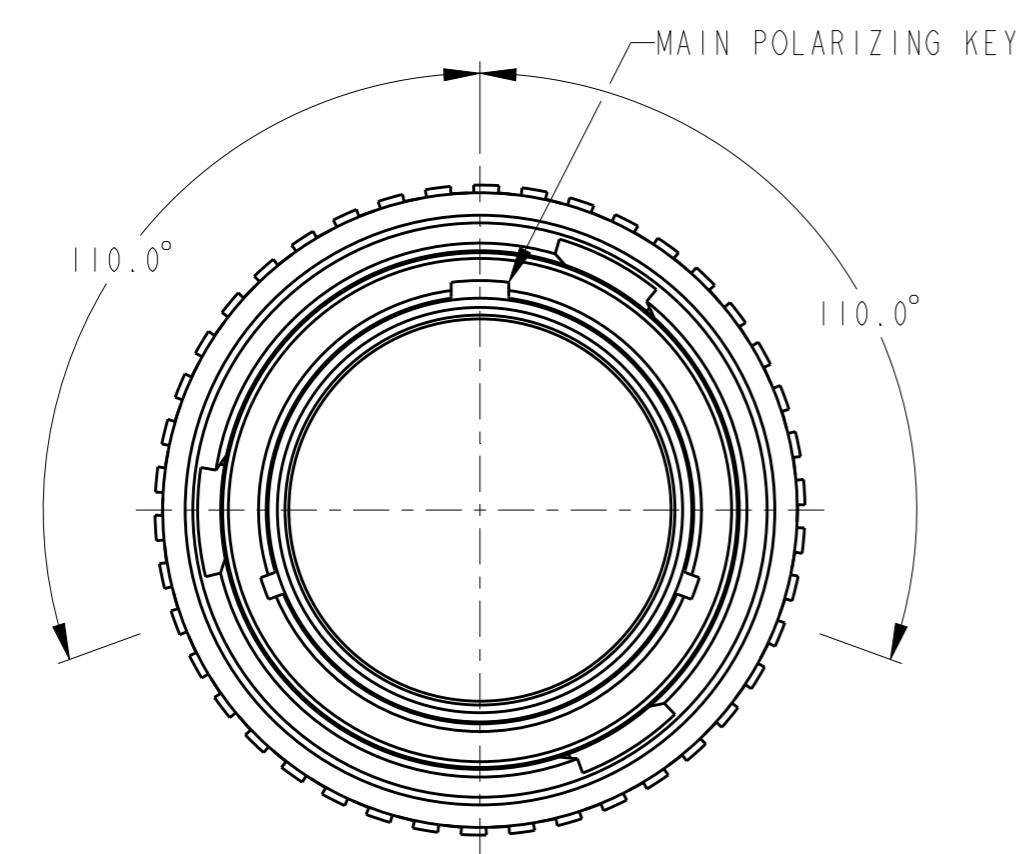
Email & Skype: info@chipsmall.com Web: www.chipsmall.com

Address: A1208, Overseas Decoration Building, #122 Zhenhua RD., Futian, Shenzhen, China



THIS DRAWING IS UNPUBLISHED
 RELEASED FOR PUBLICATION 2015
 © COPYRIGHT 2015 BY - TE CONNECTIVITY ALL RIGHTS RESERVED.

LOC		DIST		REVISIONS			
P	LTR	DESCRIPTION		DATE	DWN	APVD	
	NC	NEW RELEASE PER E.O. A14915		04DEC1995	-	RDR	
	A	REVISED PER ECO-15-001798		19MAR2015	VNB	DM	



3. MATERIAL:
 PLUG HOUSING: AL 6000 SERIES
2. FOR ARRANGEMENT OF CONTACT LOCATION SEE ENVELOPE DRAWING 0425-013-1800.
1. CONSULT THE FACTORY FOR ELECTRICAL AND MATERIAL SPECIFICATIONS.

NOTES:

DIMENSIONS: INCHES [mm]	TOLERANCES UNLESS OTHERWISE SPECIFIED:
	0 PLC ±-
	1 PLC ±-
	2 PLC ±-
	3 PLC ±.010 [±.254]
	4 PLC ±-
	ANGLES ±° 30' 0"
MATERIAL SEE NOTE	FINISH -

THIS DRAWING IS A CONTROLLED DOCUMENT.		DWN V. TOMSA 09NOV1995		
		CHK V. TOMSA 09NOV1995		
		APVD R. REED 04DEC1995	NAME	
		PRODUCT SPEC 0425-016-0000	PLUG CONNECTOR SHELL SIZE 18. BAYONET COUPLING. HD30 SERIES	
		APPLICATION SPEC 0425-015-0000	SIZE A3	CAGE CODE -
		WEIGHT -	DRAWING NO. © HD36-18-XXP/SX	RESTRICTED TO -
		Customer Drawing	SCALE NONE	SHEET 1 OF 1 REV A