



Chipsmall Limited consists of a professional team with an average of over 10 year of expertise in the distribution of electronic components. Based in Hongkong, we have already established firm and mutual-benefit business relationships with customers from,Europe,America and south Asia,supplying obsolete and hard-to-find components to meet their specific needs.

With the principle of “Quality Parts,Customers Priority,Honest Operation,and Considerate Service”,our business mainly focus on the distribution of electronic components. Line cards we deal with include Microchip,ALPS,ROHM,Xilinx,Pulse,ON,Everlight and Freescale. Main products comprise IC,Modules,Potentiometer,IC Socket,Relay,Connector.Our parts cover such applications as commercial,industrial, and automotives areas.

We are looking forward to setting up business relationship with you and hope to provide you with the best service and solution. Let us make a better world for our industry!



Contact us

Tel: +86-755-8981 8866 Fax: +86-755-8427 6832

Email & Skype: info@chipsmall.com Web: www.chipsmall.com

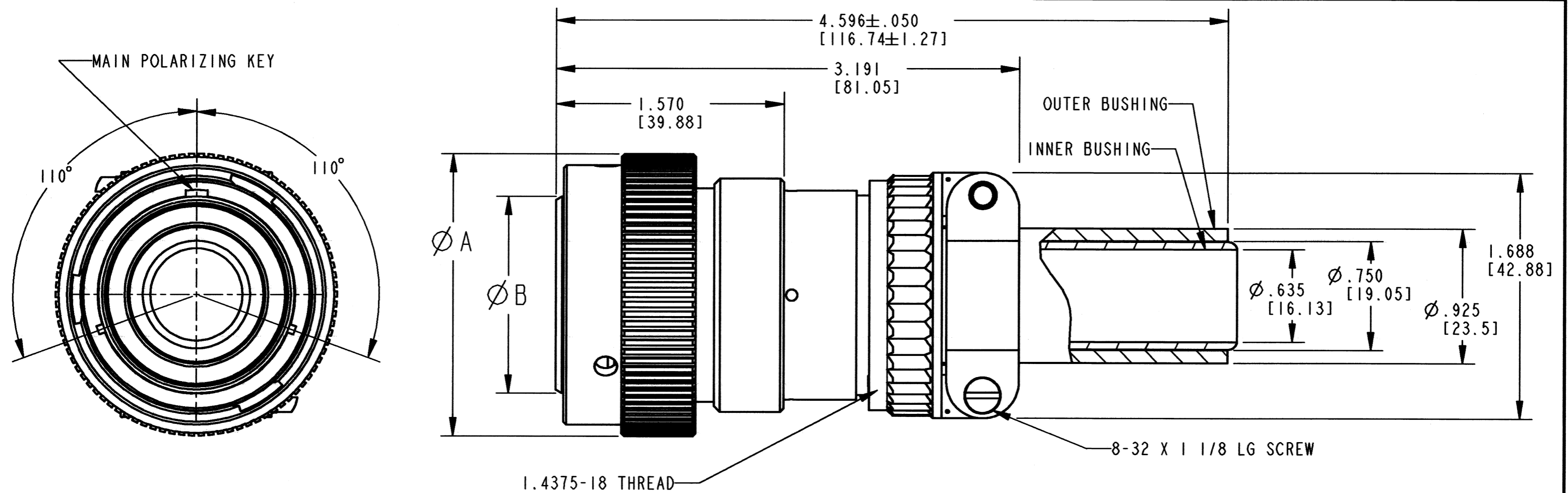
Address: A1208, Overseas Decoration Building, #122 Zhenhua RD., Futian, Shenzhen, China



SIZE	ϕA $\pm .000$ $[-.100]$ $[\frac{+.000}{-.254}]$	ϕB
18	1.692 [42.98]	1.103 [28.02]
24	1.942 [49.32]	1.353 [34.37]

REV
NC HDB36**₁**₂P/S*-059

REVISIONS			
SYM	DESCRIPTION	DATE	APPROVED
NC	NEW RELEASE PER E.O. P20357	3-1-10	RDR




6. CABLE CLAMP ACCEPTS CABLE O.D. $\phi .300$ MIN. THRU $\phi .948$ MAX.
5. FOR CONTACTS AND WIRES PERFORMANCE AND APPLICATION CHARACTERISTICS SEE ENVELOPE DRAWING 0425-015-0000.
4. FOR ARRANGEMENT OF CONTACT LOCATION SEE ENVELOPE DRAWING 0425-014-2400 AND 0425-013-1800.
3. FOR PERFORMANCE AND APPLICATION CHARACTERISTICS SEE ENVELOPE DRAWING 0425-016-0000.
2. ALL DIMENSIONS ARE IN INCHES [MILLIMETERS].
- NOTES: 1. CONSULT THE FACTORY FOR ELECTRICAL AND MATERIAL SPECIFICATIONS.

9. BREAKAWAY FUNCTION OCCURS AT AN AXIAL LOAD OF 50 TO 100 LBS.
8. DIMENSION TOLERANCE IS $\pm .025$ [.63] UNLESS OTHERWISE SPECIFIED.
7. THIS CONNECTOR MATES WITH HD34-****₁**-****₂**P/S*-********
 (**₁ = SIZE, **₂ = ALL ARRANGEMENTS EXCEPT 91, * = SEAL TYPE, **** = ALL MODIFICATIONS).

SIGNATURE & DATE	
DR	R. MESSENGER 9NOV05
CHK	<i>[Signature]</i> 3/1/10
PE	<i>[Signature]</i> 3-1-10
APPD	<i>[Signature]</i> 3-1-10
SCALE	NONE WT _____

**PLUG CONNECTOR
SHELL SIZE 18 & 24
BAYONET COUPLING
HDB SERIES**

ENVELOPE

EP	NATL. CODE
 3850 INDUSTRIAL AVE. HEMET, CA 92545 DEUTSCH INDUSTRIAL	
B	HDB36**₁**₂P/S*-059
DWG SIZE	CODE 11139 SHEET OF