



Chipsmall Limited consists of a professional team with an average of over 10 year of expertise in the distribution of electronic components. Based in Hongkong, we have already established firm and mutual-benefit business relationships with customers from,Europe,America and south Asia,supplying obsolete and hard-to-find components to meet their specific needs.

With the principle of "Quality Parts,Customers Priority,Honest Operation,and Considerate Service",our business mainly focus on the distribution of electronic components. Line cards we deal with include Microchip,ALPS,ROHM,Xilinx,Pulse,ON,Everlight and Freescale. Main products comprise IC,Modules,Potentiometer,IC Socket,Relay,Connector.Our parts cover such applications as commercial,industrial, and automotives areas.

We are looking forward to setting up business relationship with you and hope to provide you with the best service and solution. Let us make a better world for our industry!



## Contact us

Tel: +86-755-8981 8866 Fax: +86-755-8427 6832

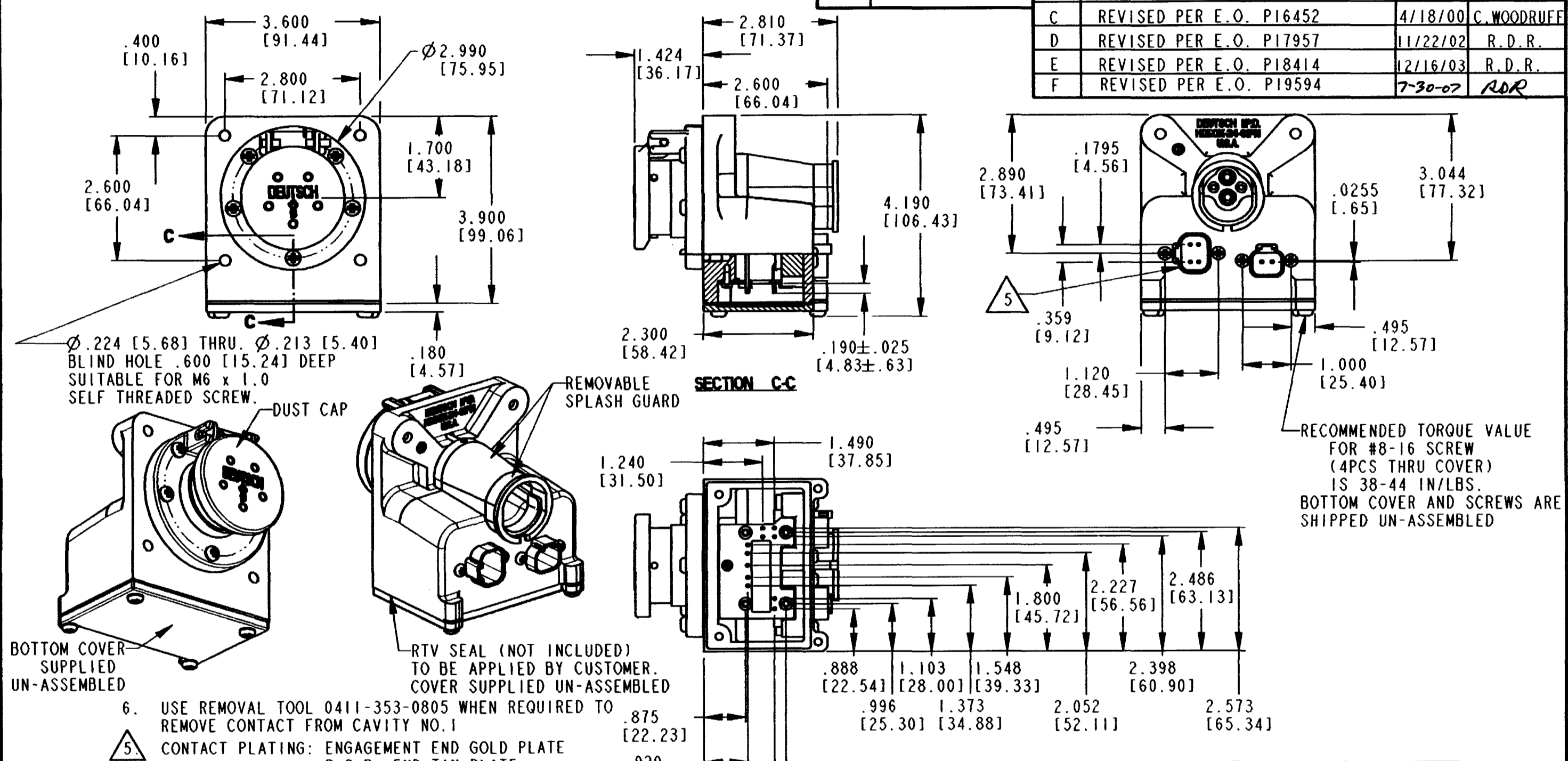
Email & Skype: info@chipsmall.com Web: www.chipsmall.com

Address: A1208, Overseas Decoration Building, #122 Zhenhua RD., Futian, Shenzhen, China

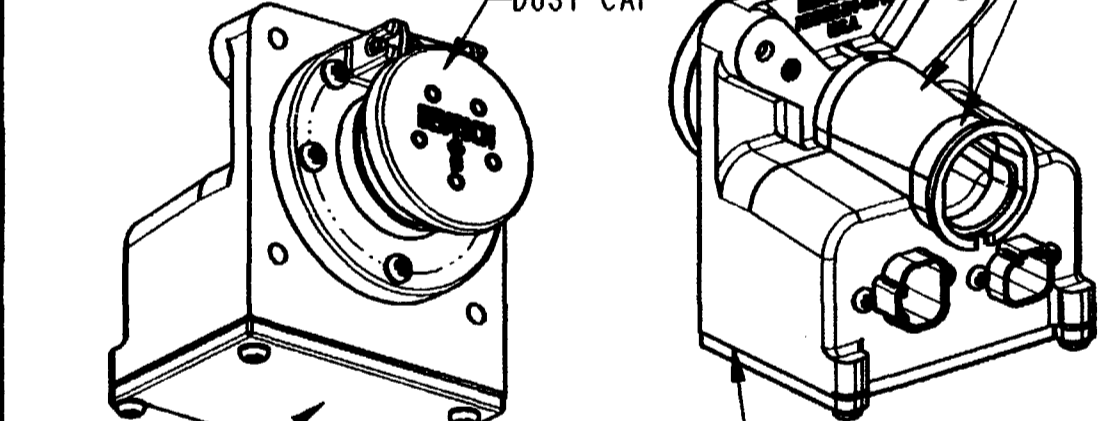


REV  
F HDBOX-24-91PN

REVISIONS			
SYM	DESCRIPTION	DATE	APPROVED
C	REVISED PER E.O. P16452	4/18/00	C. WOODRUFF
D	REVISED PER E.O. P17957	11/22/02	R.D.R.
E	REVISED PER E.O. P18414	12/16/03	R.D.R.
F	REVISED PER E.O. P19594	7-30-07	RDR



Ø.224 [5.68] THRU. Ø.213 [5.40] BLIND HOLE .600 [15.24] DEEP SUITABLE FOR M6 x 1.0 SELF THREADED SCREW.



BOTTOM COVER SUPPLIED UN-ASSEMBLED

DUST CAP

REMOVABLE SPLASH GUARD

RTV SEAL (NOT INCLUDED) TO BE APPLIED BY CUSTOMER. COVER SUPPLIED UN-ASSEMBLED

6. USE REMOVAL TOOL 0411-353-0805 WHEN REQUIRED TO REMOVE CONTACT FROM CAVITY NO.1
5. CONTACT PLATING: ENGAGEMENT END GOLD PLATE P.C.B. END TIN PLATE
4. MATING CONNECTORS: HDB36-24-91SN-059, DT06-2S\*, DT06-4S\*.
3. CONSULT FACTORY FOR MATERIAL AND ELECTRICAL SPECIFICATION.
2. TOLERANCES: LOCATION OF CONTACTS = ±.003 [.08] LOCATION OF HOLES = ±.005 [.13] OTHERS = ±.015 [.38]
1. DIMENSIONS ARE IN INCHES [MILLIMETERS]

SIGNATURE & DATE	
DR	J. APOSTOL 03 JAN 00
CHK	[Signature] 7/30/07
PE	[Signature]
APPD	[Signature] 7-27-07
SCALE	1:2 WT

MOUNTING BOX FOR HD34-24-91PN RECPT. AND DT13-2P AND DT13-4P RECEPTACLES

ENVELOPE

CP	MATL. CODE
The Deutch Company DEUTSCH I.P.D. 3850 INDUSTRIAL AVE. HEMET, CALIF. 92545	
<b>B</b> HDBOX-24-91PN	
DWG SIZE	CODE 11139 SHEET 1 OF 1