



Chipsmall Limited consists of a professional team with an average of over 10 year of expertise in the distribution of electronic components. Based in Hongkong, we have already established firm and mutual-benefit business relationships with customers from,Europe,America and south Asia,supplying obsolete and hard-to-find components to meet their specific needs.

With the principle of “Quality Parts,Customers Priority,Honest Operation,and Considerate Service”,our business mainly focus on the distribution of electronic components. Line cards we deal with include Microchip,ALPS,ROHM,Xilinx,Pulse,ON,Everlight and Freescale. Main products comprise IC,Modules,Potentiometer,IC Socket,Relay,Connector.Our parts cover such applications as commercial,industrial, and automotives areas.

We are looking forward to setting up business relationship with you and hope to provide you with the best service and solution. Let us make a better world for our industry!



Contact us

Tel: +86-755-8981 8866 Fax: +86-755-8427 6832

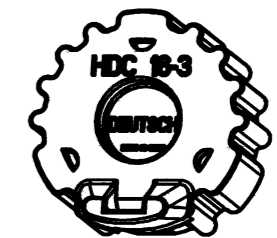
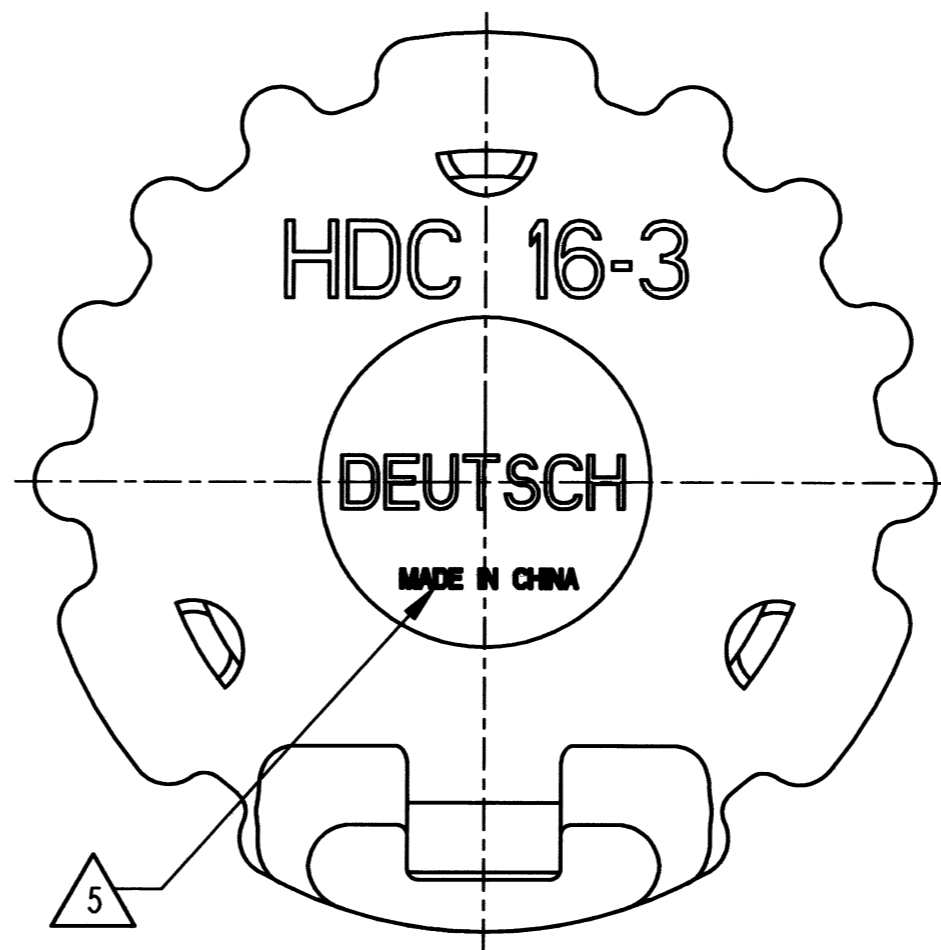
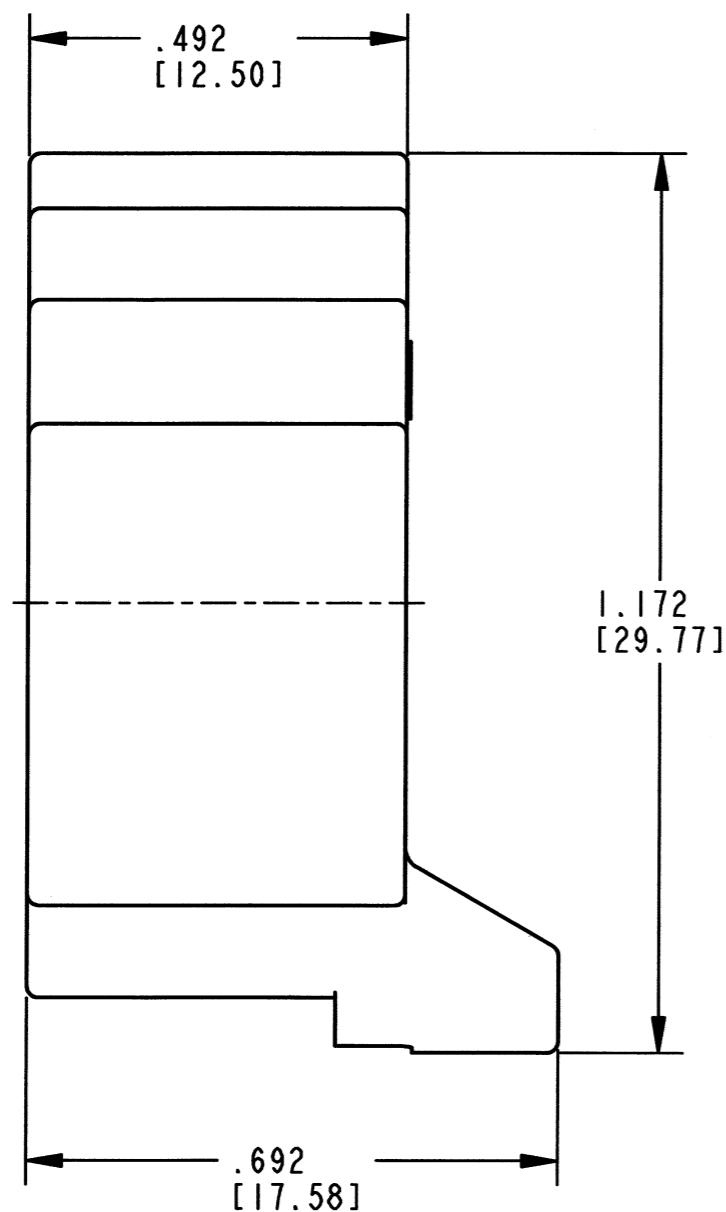
Email & Skype: info@chipsmall.com Web: www.chipsmall.com

Address: A1208, Overseas Decoration Building, #122 Zhenhua RD., Futian, Shenzhen, China



REV	HDC16-3
C	

REVISIONS			
SYM	DESCRIPTION	DATE	APPROVED
A	REVISED/REDRAWN PER E.O. A13795	05/04/92	J.A.
B	REVISED/REDRAWN PER E.O. P18248	1/28/05	R.D.R.
C	REVISED PER E.O. P20888	7-7-11	RDR



3D VIEW

5. COUNTRY OF ORIGIN IF OTHER THAN USA.
EXAMPLE: MADE IN CHINA


- 4. COLOR: GRAY
- 3. MATERIAL: CAP: PLASTIC; SEAL: RUBBER
- 2. DIMENSION TOLERANCE $\pm .025$ [0.63].

NOTES: 1. ALL DIMENSIONS ARE IN INCHES [METRIC].

SIGNATURE & DATE	
DR	X. SANCHEZ 18 JAN 05
CHK	[Signature] 7/6/11
PE	[Signature] 6/2/11
APPD	[Signature] 6/2/11
SCALE	NONE WT

PROTECTIVE COVER
FOR SIZE 3
RECEPTACLE
HD10 SERIES

ENVELOPE

EP	MATL. CODE
 3850 INDUSTRIAL AVE. HEMET, CA 92545	
DEUTSCH INDUSTRIAL	
B	HDC16-3
DWG SIZE	CODE 11139 SHEET OF