



Chipsmall Limited consists of a professional team with an average of over 10 year of expertise in the distribution of electronic components. Based in Hongkong, we have already established firm and mutual-benefit business relationships with customers from,Europe,America and south Asia,supplying obsolete and hard-to-find components to meet their specific needs.

With the principle of “Quality Parts,Customers Priority,Honest Operation,and Considerate Service”,our business mainly focus on the distribution of electronic components. Line cards we deal with include Microchip,ALPS,ROHM,Xilinx,Pulse,ON,Everlight and Freescale. Main products comprise IC,Modules,Potentiometer,IC Socket,Relay,Connector.Our parts cover such applications as commercial,industrial, and automotives areas.

We are looking forward to setting up business relationship with you and hope to provide you with the best service and solution. Let us make a better world for our industry!



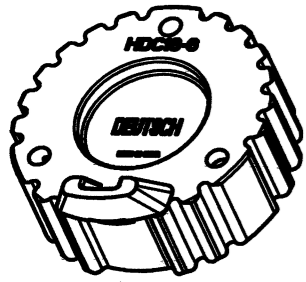
Contact us

Tel: +86-755-8981 8866 Fax: +86-755-8427 6832

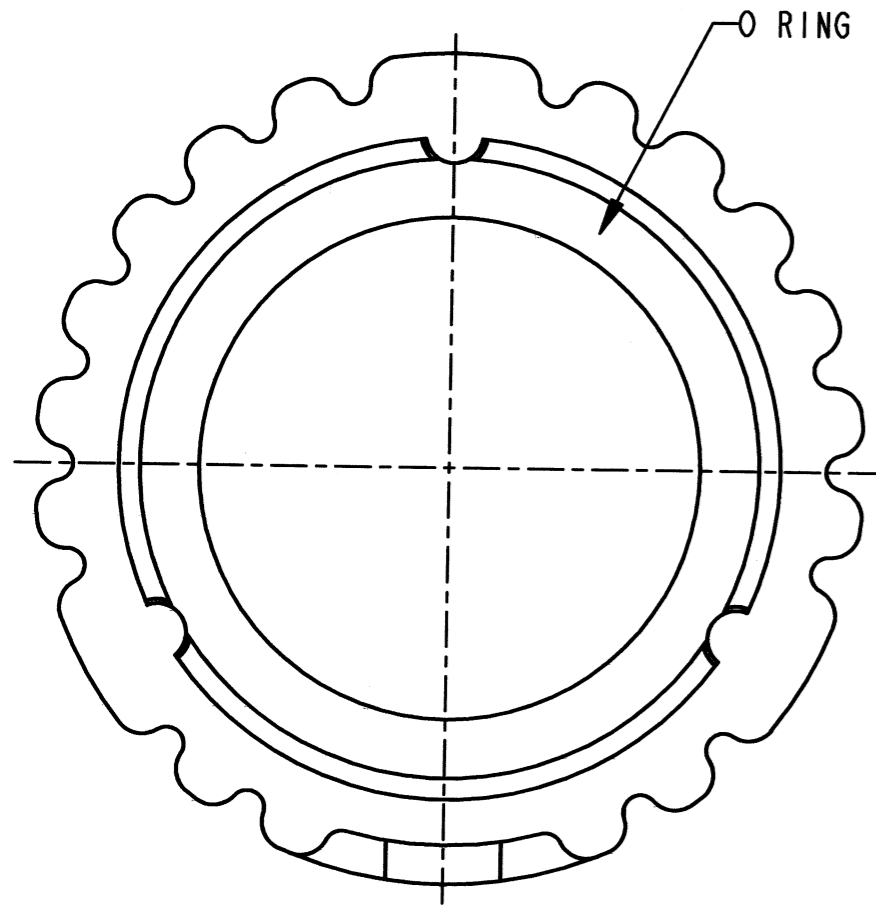
Email & Skype: info@chipsmall.com Web: www.chipsmall.com

Address: A1208, Overseas Decoration Building, #122 Zhenhua RD., Futian, Shenzhen, China

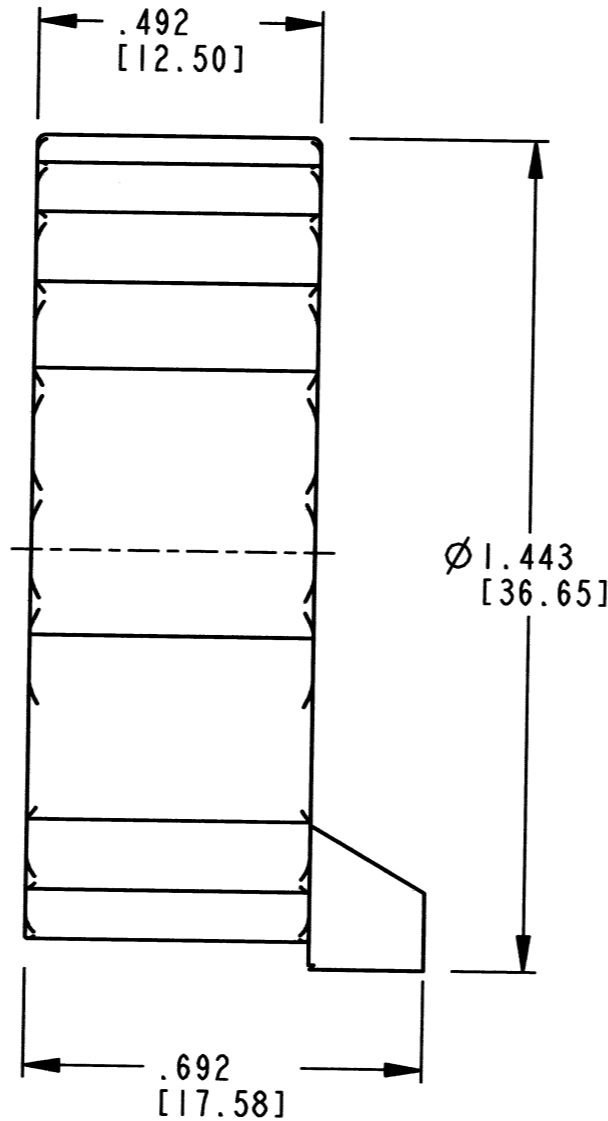




3D VIEW

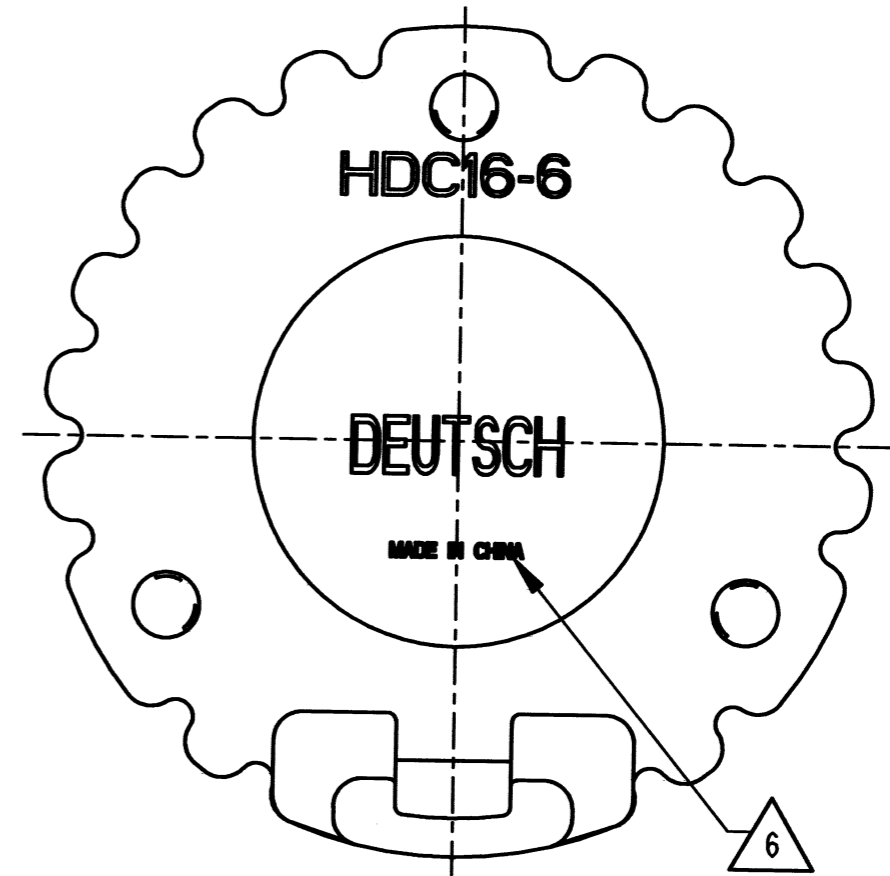


O RING



REV	HDC16-6
C	

REVISIONS			
SYM	DESCRIPTION	DATE	APPROVED
A	REVISED AND REDRAWN PER E.O. A13795	5/4/92	J.A.
B	REVISED PER E.O. P19206	5/31/06	R.D.R.
C	REVISED PER E.O. P20888	7-7-11	<i>[Signature]</i>



6. COUNTRY OF ORIGIN IF OTHER THAN USA.
EXAMPLE: MADE IN CHINA

5. TOLERANCE $\pm .025$ [.63]

4. COLOR: GRAY.

3. MATERIAL: COVER: PLASTIC; SEAL: RUBBER.


2. THIS PART MATES WITH ALL SIZE 6 HD10 SERIES RECEPTACLES.

NOTES: 1. ALL DIMENSIONS ARE IN INCHES [MILLIMETERS] AND FOR REFERENCE ONLY.

SIGNATURE & DATE	
DR	JNORRIS 29APR92
CHK	<i>[Signature]</i> 7/07/2011
PE	<i>[Signature]</i> 6/7/10
APPD	<i>[Signature]</i> 6/20/11
SCALE	NONE
WT	

PROTECTIVE COVER
FOR SIZE 6
RECEPTACLE
HD10 SERIES

ENVELOPE

EP	MATL. CODE
 3850 INDUSTRIAL AVE. HEMET, CA 92545 DEUTSCH INDUSTRIAL	
B	HDC16-6
DWG SIZE	CODE SHEET OF
11139	