



Chipsmall Limited consists of a professional team with an average of over 10 year of expertise in the distribution of electronic components. Based in Hongkong, we have already established firm and mutual-benefit business relationships with customers from,Europe,America and south Asia,supplying obsolete and hard-to-find components to meet their specific needs.

With the principle of “Quality Parts,Customers Priority,Honest Operation,and Considerate Service”,our business mainly focus on the distribution of electronic components. Line cards we deal with include Microchip,ALPS,ROHM,Xilinx,Pulse,ON,Everlight and Freescale. Main products comprise IC,Modules,Potentiometer,IC Socket,Relay,Connector.Our parts cover such applications as commercial,industrial, and automotives areas.

We are looking forward to setting up business relationship with you and hope to provide you with the best service and solution. Let us make a better world for our industry!



Contact us

Tel: +86-755-8981 8866 Fax: +86-755-8427 6832

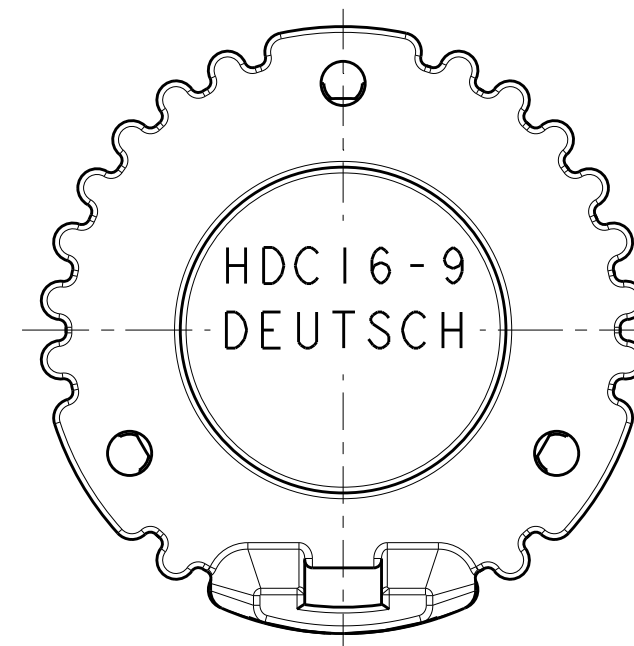
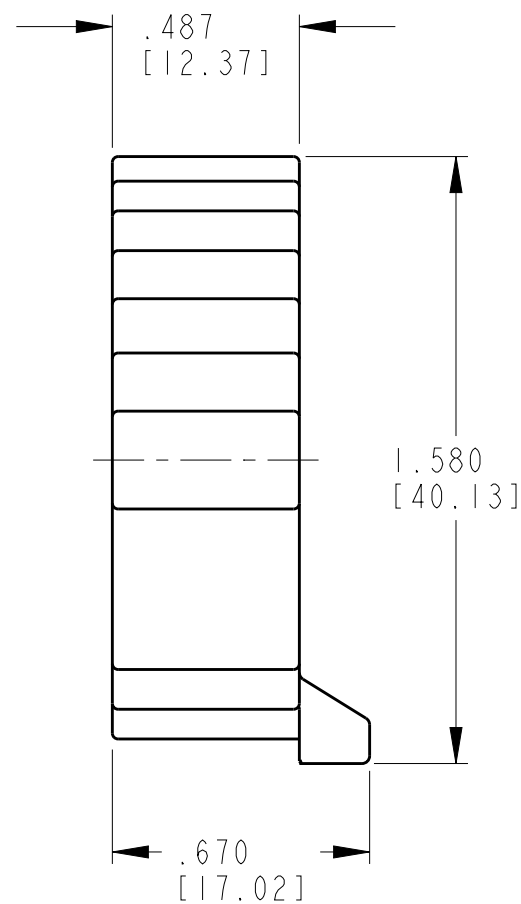
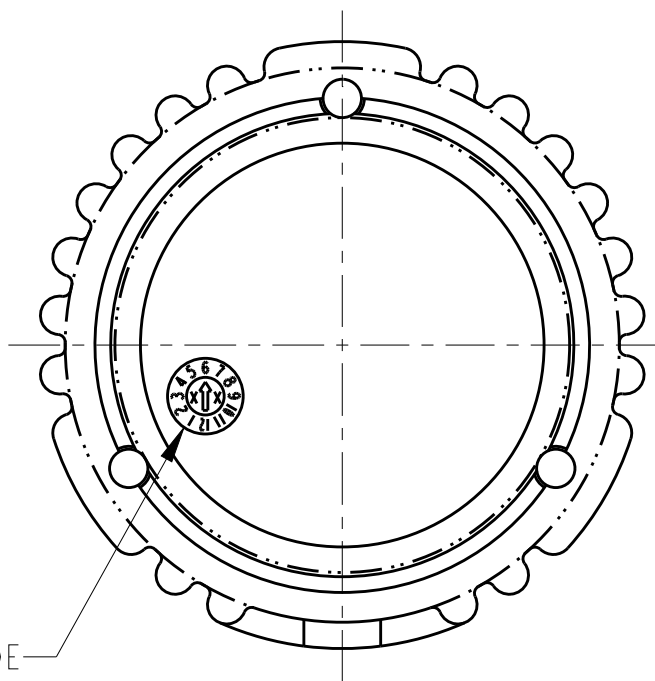
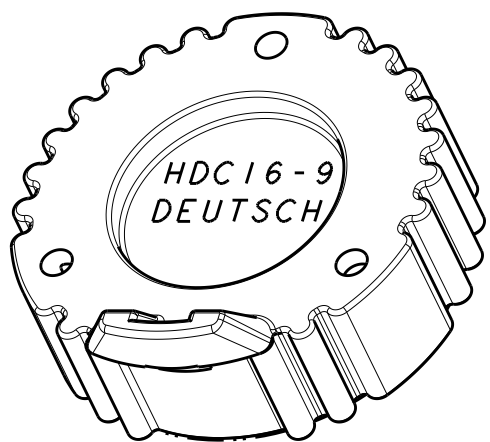
Email & Skype: info@chipsmall.com Web: www.chipsmall.com

Address: A1208, Overseas Decoration Building, #122 Zhenhua RD., Futian, Shenzhen, China



THIS DRAWING IS UNPUBLISHED
 RELEASED FOR PUBLICATION 2016
 © COPYRIGHT 1992 BY TE CONNECTIVITY ALL RIGHTS RESERVED.

LOC	DIST	REVISIONS			
P	LTR	DESCRIPTION	DATE	DWN	APVD
	D	REVISED/REDRAWN PER E.O. P19237	19JUL2006	RM	RDR
	E	REVISED PER E.O. P20888	7JUL2011	IG	RDR
	E1	REVISED PER ECO-14-008033	28MAY2014	JA	DM
	F	REVISED PER ECO-16-001565	03FEB2016	JA	DM



TE INTERNAL PN	DEUTSCH PN
HDC16-9	HDC16-9

- 2 MATERIAL: HOUSING: PA 15% GF (GREY); O-RING: SILICONE (RED)
 1. THIS PART MATES WITH ALL SIZE 9, HD10 SERIES RECEPTACLE.

NOTES:

THIS DRAWING IS A CONTROLLED DOCUMENT.		DWN 29APR1992 JOHN NORRIS		
DIMENSIONS: INCHES [mm]		CHK 01MAY1992 JOHN NORRIS		
TOLERANCES UNLESS OTHERWISE SPECIFIED:		APVD 04MAY1992 JEFF ALBERS	NAME PROTECTIVE COVER FOR SIZE 9 RECEPTACLE HD10 SERIES	
0 PLC ± 1 PLC ± 2 PLC ± 3 PLC ±.025 [0.64] 4 PLC ± ANGLES ±0°30'0"		PRODUCT SPEC	RESTRICTED TO	
MATERIAL		APPLICATION SPEC	SIZE A3	CAGE CODE 4AFU8
FINISH		WEIGHT 9.43g	DRAWING NO. C-HDC16-9	
		Customer Drawing	SCALE 2:1	SHEET 1 OF 1
			REV F	