



Chipsmall Limited consists of a professional team with an average of over 10 year of expertise in the distribution of electronic components. Based in Hongkong, we have already established firm and mutual-benefit business relationships with customers from,Europe,America and south Asia,supplying obsolete and hard-to-find components to meet their specific needs.

With the principle of “Quality Parts,Customers Priority,Honest Operation,and Considerate Service”,our business mainly focus on the distribution of electronic components. Line cards we deal with include Microchip,ALPS,ROHM,Xilinx,Pulse,ON,Everlight and Freescale. Main products comprise IC,Modules,Potentiometer,IC Socket,Relay,Connector.Our parts cover such applications as commercial,industrial, and automotives areas.

We are looking forward to setting up business relationship with you and hope to provide you with the best service and solution. Let us make a better world for our industry!



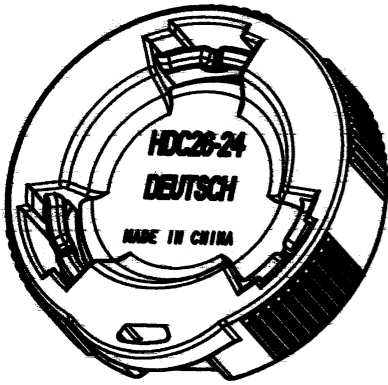
## Contact us

Tel: +86-755-8981 8866 Fax: +86-755-8427 6832

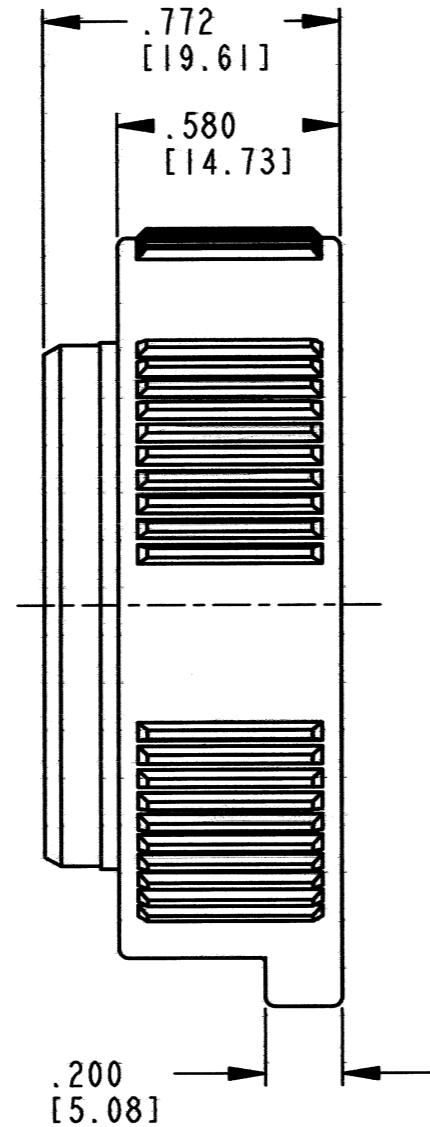
Email & Skype: info@chipsmall.com Web: www.chipsmall.com

Address: A1208, Overseas Decoration Building, #122 Zhenhua RD., Futian, Shenzhen, China

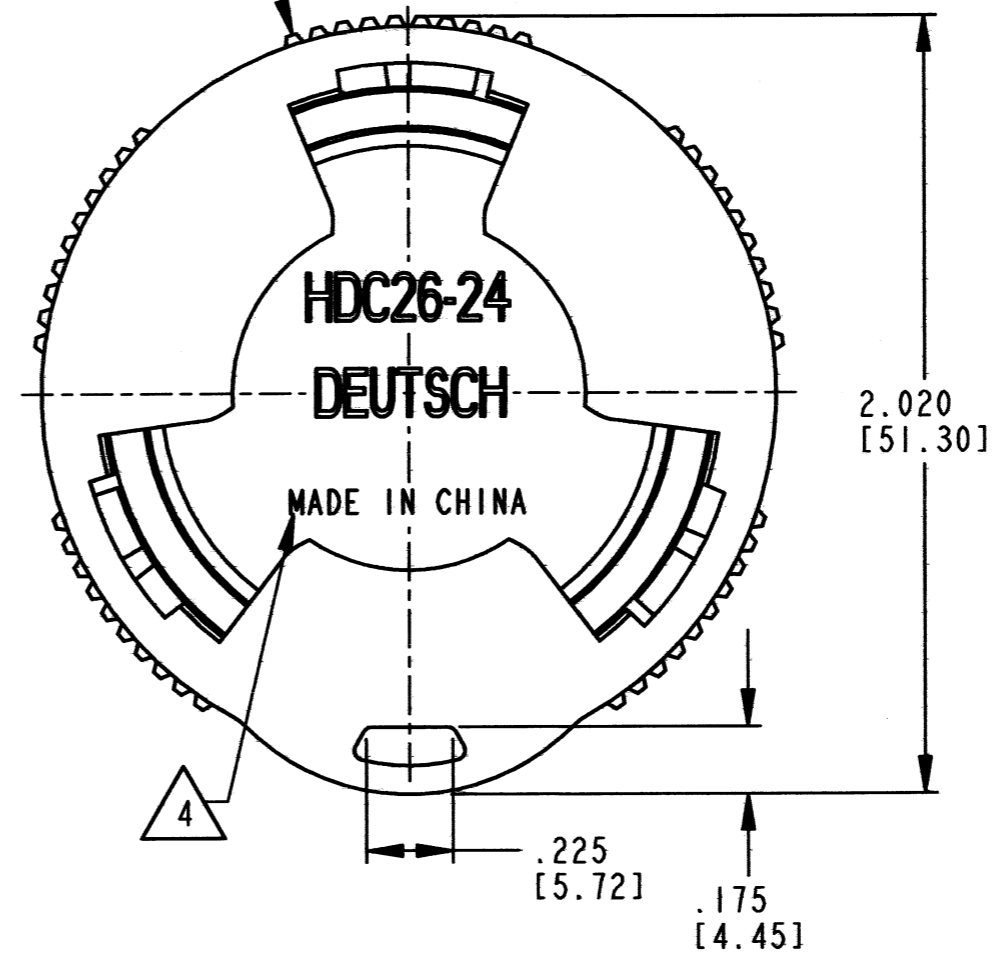




**3D VIEW**



Ø 1.960 ± .010  
[49.78 ± .25]  
OVER KNURL



REV B HDC26-24

REVISIONS			
SYM	DESCRIPTION	DATE	APPROVED
NC	NEW RELEASE PER E.O. A14800	5-15-95	R.D.R.
A	REDESIGNED/REDRAWN PER E.O. P21082	11-8-11	R.D.R.
B	REVISED PER E.O. P21505	11/14/12	DM

4. COUNTRY OF ORIGIN IF OTHER THAN USA.  
EXAMPLE: MADE IN CHINA

3. MATERIAL: PLASTIC; COLOR: BLACK

2. DIMENSION TOLERANCE: ±.025 [0.63].


1. ALL DIMENSIONS ARE IN INCHES [mm].

NOTES:

SIGNATURE & DATE	
DR	V. GRANTCHAROVA 6/1/11
CHK	[Signature] 11/13/12
PE	[Signature] 11/13/12
APPD	[Signature] 11/14/12
SCALE	NONE
WT	

PROTECTIVE CAP  
FOR SIZE 24  
RECEPTACLES  
HD SERIES

ENVELOPE

EP	MATL. CODE
 3850 INDUSTRIAL AVE. HEMET, CA 92545 <b>DEUTSCH</b> INDUSTRIAL	
<b>B</b>	HDC26-24
DWG SIZE	CODE 11139 SHEET   OF

