



Chipsmall Limited consists of a professional team with an average of over 10 year of expertise in the distribution of electronic components. Based in Hongkong, we have already established firm and mutual-benefit business relationships with customers from,Europe,America and south Asia,supplying obsolete and hard-to-find components to meet their specific needs.

With the principle of “Quality Parts,Customers Priority,Honest Operation,and Considerate Service”,our business mainly focus on the distribution of electronic components. Line cards we deal with include Microchip,ALPS,ROHM,Xilinx,Pulse,ON,Everlight and Freescale. Main products comprise IC,Modules,Potentiometer,IC Socket,Relay,Connector.Our parts cover such applications as commercial,industrial, and automotives areas.

We are looking forward to setting up business relationship with you and hope to provide you with the best service and solution. Let us make a better world for our industry!



## Contact us

Tel: +86-755-8981 8866 Fax: +86-755-8427 6832

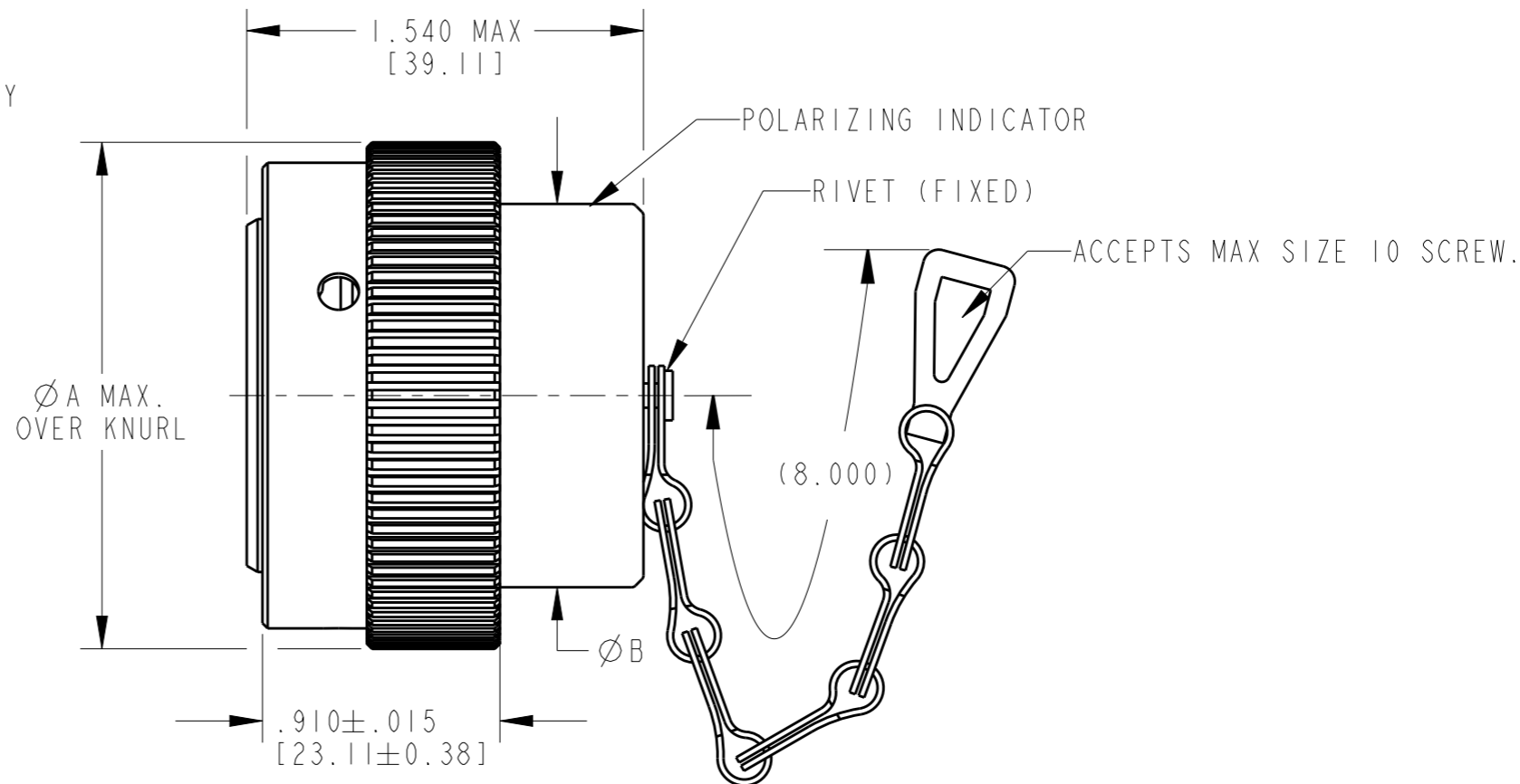
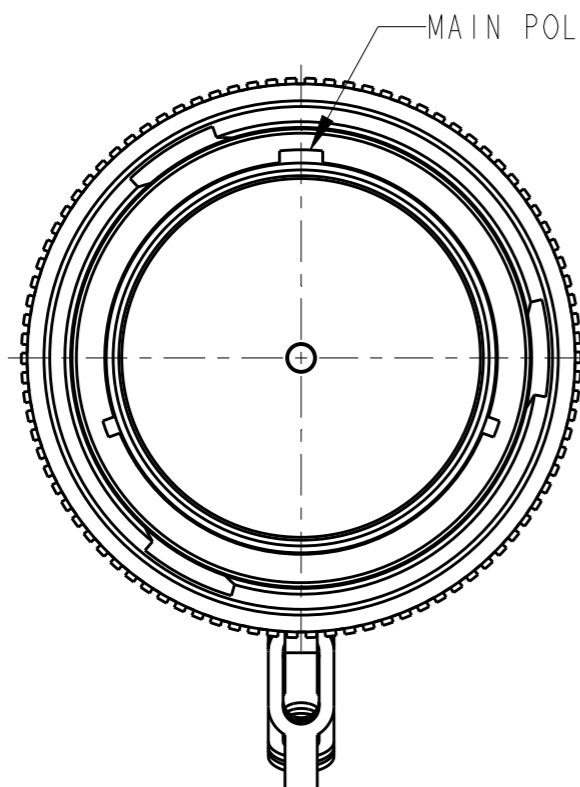
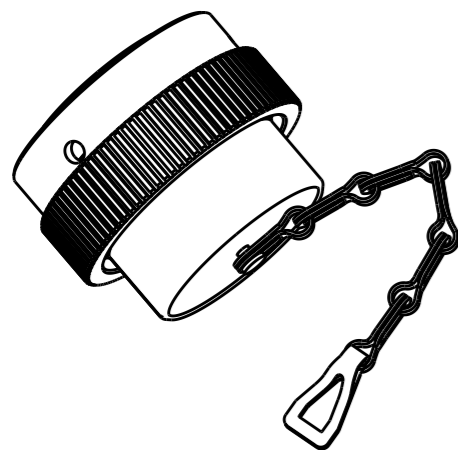
Email & Skype: info@chipsmall.com Web: www.chipsmall.com

Address: A1208, Overseas Decoration Building, #122 Zhenhua RD., Futian, Shenzhen, China



THIS DRAWING IS UNPUBLISHED  
 RELEASED FOR PUBLICATION 2013  
 ALL RIGHTS RESERVED.

LOC	DIST	REVISIONS			
P	LTR	DESCRIPTION	DATE	DWN	APVD
	B	REVISED REDRAWN PER E.O. P17809	12-23-10	XS	RDR
	C	REVISED PER E.O. P20815	3-19-11	XS	RDR
	D	REVISED PER E.O. P20977	6-28-11	XS	RDR
	D1	REVISED PER ECO-14-006488	4-30-14	JA	DM



SHELL SIZE XX	A MAX. Ø	Ø B ± .010 [±0.25]	WEIGHT IN GRAMS
18	1.692 [42.97]	1.220 [30.98]	46.59
24	1.942 [49.32]	1.470 [37.33]	50.62

THIS DRAWING IS A CONTROLLED DOCUMENT.

DWN 29APR2014 JAIME C. APOSTOL  
 CHK 30APR2014 ILINA GRANICHAROVA  
 APVD 30APR2014 DAVID MEYER

**STE** TE Connectivity

NAME: COVER, PROTECTIVE BAYONET COUPLING (TO MATE WITH RECEPTACLE)

PRODUCT SPEC APPLICATION SPEC

WEIGHT SEE TABLE

CUSTOMER DRAWING

SIZE A3 CAGE CODE 4AFU8 DRAWING NO. C-HDC36-XX RESTRICTED TO -

SCALE 1.50 SHEET 1 OF 1 REV D1

1 MATERIAL: SHELL: ALUMINUM; CHAIN: STAINLESS STEEL.

NOTES: