



Chipsmall Limited consists of a professional team with an average of over 10 year of expertise in the distribution of electronic components. Based in Hongkong, we have already established firm and mutual-benefit business relationships with customers from,Europe,America and south Asia,supplying obsolete and hard-to-find components to meet their specific needs.

With the principle of "Quality Parts,Customers Priority,Honest Operation,and Considerate Service",our business mainly focus on the distribution of electronic components. Line cards we deal with include Microchip,ALPS,ROHM,Xilinx,Pulse,ON,Everlight and Freescale. Main products comprise IC,Modules,Potentiometer,IC Socket,Relay,Connector.Our parts cover such applications as commercial,industrial, and automotives areas.

We are looking forward to setting up business relationship with you and hope to provide you with the best service and solution. Let us make a better world for our industry!



Contact us

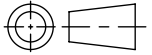
Tel: +86-755-8981 8866 Fax: +86-755-8427 6832

Email & Skype: info@chipsmall.com Web: www.chipsmall.com

Address: A1208, Overseas Decoration Building, #122 Zhenhua RD., Futian, Shenzhen, China

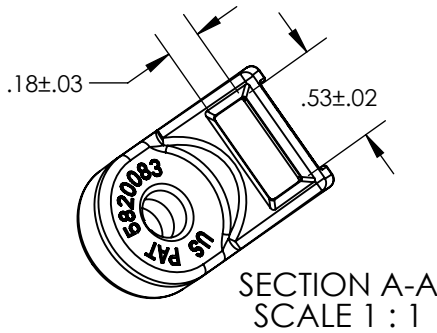


SW2014

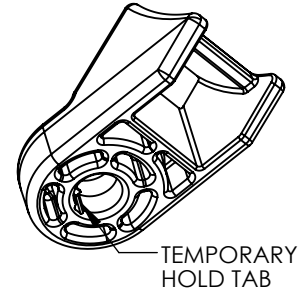
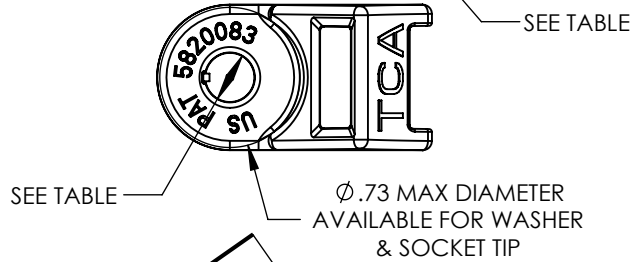


SUPERSEDES DWG MT1013002CST, REV 02

Revision level			Revision Record	Changed	Date	Approved	Date
Drawing	State	Part					
00.1	Design Release	-	SEE ECN# 013200	KEP	7/20/2015	KAC	7/20/2015

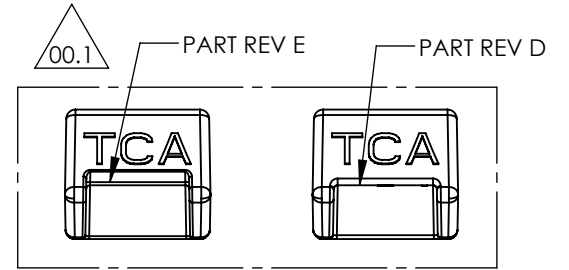
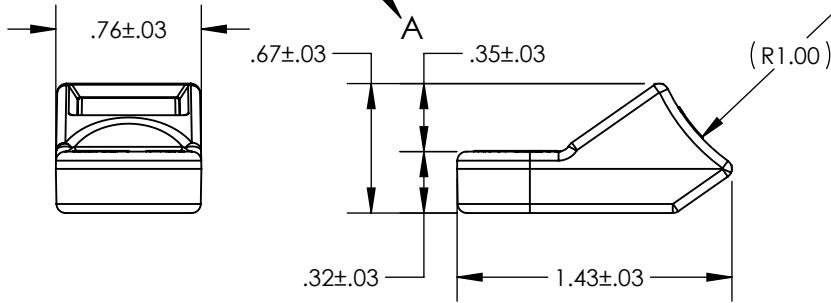


00.1



00.1

TABLE OF PART NUMBERS		
PART NUMBER	PART REV	HOLE DIA
HDM19	D or E	3/16"
HDM25	D or E	1/4"
HDM312	D or E	5/16"

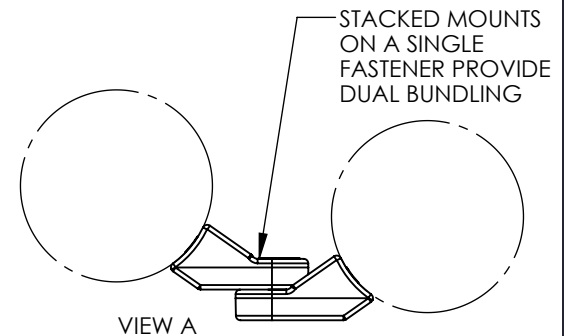
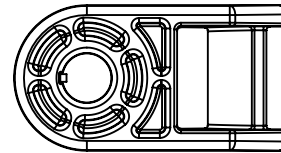


PRODUCT EXISTS WITH BOTH GEOMETRIES SHOWN ABOVE

00.1

REFERENCE FEATURES:

- RUGGED HEAVY DUTY DESIGN & MATERIAL
- 250 lb ASSEMBLY STRENGTH IN ANY DIRECTION
- WITHSTANDS 115 in-lb OF TORQUE APPLIED TO 1/4" FASTENER WITH WASHER
- FASTEN MOUNT WITH STUD, BOLT, SCREW, RIVET, NAIL, ETC...
- SMALL TAB INSIDE HOLE ENGAGES THREADS TEMPORARILY
- ACCEPTS MOST STANDARD CABLE TIES UP TO 1/2" WIDE
- MOUNTS ARE DESIGNED TO BE VERTICALLY STACKED ON A SINGLE FASTENER TO ALLOW DUAL BUNDLING - SEE VIEW A
- ALSO CHAINING OF MULTIPLE BUNDLES ON A SINGLE MOUNT IS AVAILABLE IF T250 WITH BUCKLE/MOUNT FEATURE IS USED
- OPTIONAL MOUNTING HOLE DIAMETERS ARE AVAILABLE UP TO 5/16" - CONTACT TYTON FOR SPECIFIC HOLE SIZES & PRICING



Material
PA66HIRHSUV BLACK

Units: inches

Dimension without tolerances details to:

.xxxx = ±.0005
.xxx = ±.005
.xx = ±.01
.x = ±.03
None = ±.06
∠ = ±0.5°

Dimension Formatted in [mm]

The copyright of this drawing is reserved by HellermannTyton. It is issued on condition that it is not reproduced, copied, or disclosed to a third party, either wholly or in part, without the consent of HellermannTyton.

Drawn	KEP	7/20/2015
Approved	KAC	7/20/2015
HellermannTyton		
North America Email: corp@htamericas.com Web: www.hellermann.tyton.com		

Article/Type-No	SEE TABLE
Title	HEAVY-DUTY CABLE TIE MOUNT WITH MOUNTING HOLE
Drawing-No	15-0351-001-CSU
PRODUCTION : Phase	

Scale	1:1
Project Number	PRP 15-0351
Format	AH
Sheet	1/1