



Chipsmall Limited consists of a professional team with an average of over 10 year of expertise in the distribution of electronic components. Based in Hongkong, we have already established firm and mutual-benefit business relationships with customers from,Europe,America and south Asia,supplying obsolete and hard-to-find components to meet their specific needs.

With the principle of "Quality Parts,Customers Priority,Honest Operation,and Considerate Service",our business mainly focus on the distribution of electronic components. Line cards we deal with include Microchip,ALPS,ROHM,Xilinx,Pulse,ON,Everlight and Freescale. Main products comprise IC,Modules,Potentiometer,IC Socket,Relay,Connector.Our parts cover such applications as commercial,industrial, and automotives areas.

We are looking forward to setting up business relationship with you and hope to provide you with the best service and solution. Let us make a better world for our industry!



Contact us

Tel: +86-755-8981 8866 Fax: +86-755-8427 6832

Email & Skype: info@chipsmall.com Web: www.chipsmall.com

Address: A1208, Overseas Decoration Building, #122 Zhenhua RD., Futian, Shenzhen, China



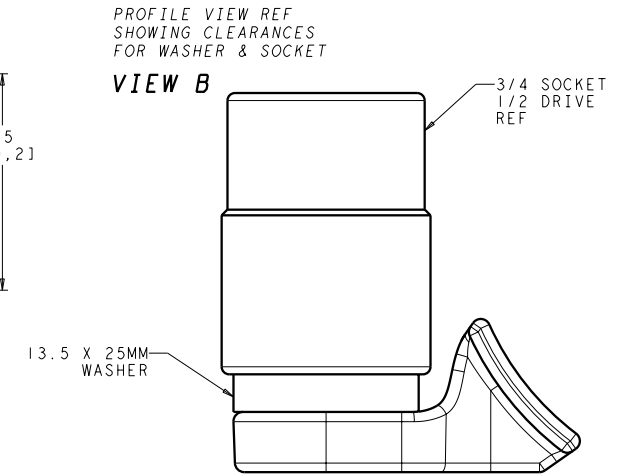
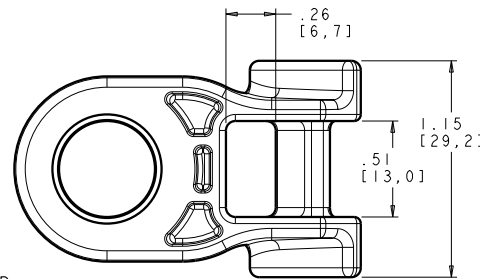
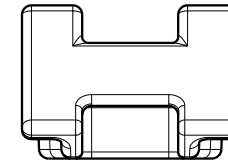
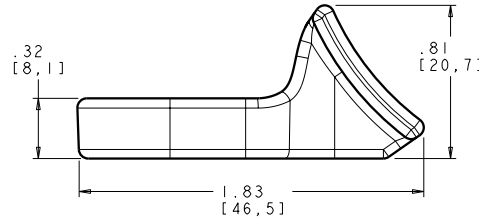
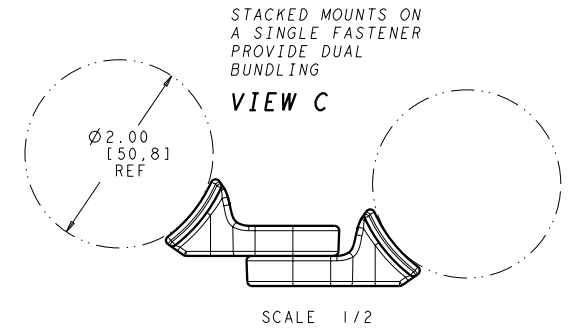
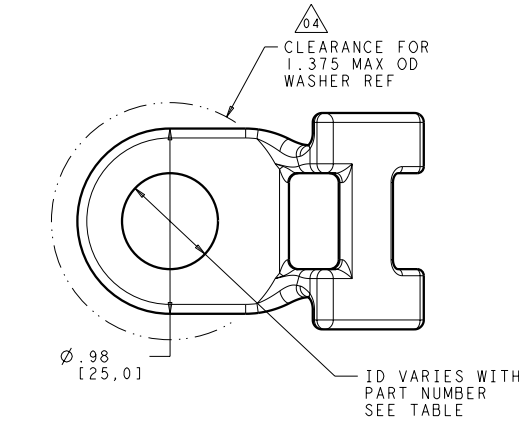
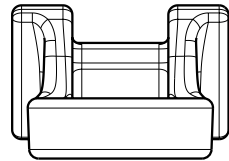
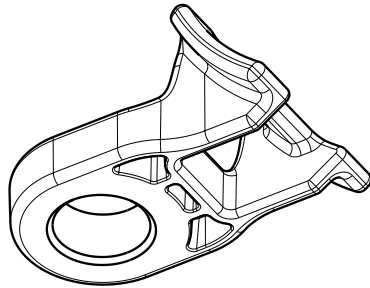
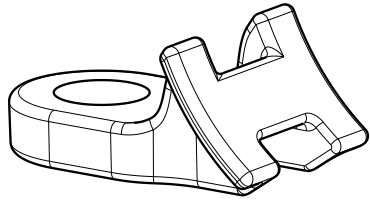


TABLE OF PART NUMBERS			
PART NUMBER	PART REV	HOLE DIA	BOLT SIZE
HDM321	A	.327[8,31]	5/16" & 8MM
HDM401	A	.405[10,29]	3/8" & 10MM
HDM501	A	.510[12,95]	1/2" & 12MM

FEATURES:

- RUGGED HEAVY DUTY DESIGN & MATERIAL
- 250 lb ASSEMBLY STRENGTH PERPENDICULAR TO BOLT AXIS
- MOUNT WITHSTANDS 40 lb-ft (54 N-m) OF TORQUE APPLIED TO FASTENER
- FASTEN MOUNT WITH STUD, BOLT, SCREW, RIVET, SPIKE, ETC...
- CLEARANCE FOR WASHER & SOCKET DURING ASSEMBLY - SEE VIEW B
- ACCEPTS MOST STANDARD CABLE TIES UP TO 1/2" WIDE
- MOUNTS ARE DESIGNED TO BE VERTICALLY STACKED ON A SINGLE FASTENER TO ALLOW DUAL BUNDLING - SEE VIEW C
- ALSO CHAINING OF MULTIPLE BUNDLES ON A SINGLE MOUNT IS AVAILABLE IF T250 WITH BUCKLE/MOUNT FEATURE IS USED
- MOUNTING HOLE DIAMETERS ARE AVAILABLE FROM 5/16" TO 1/2" - SEE TABLE

INVENTORS

HellermannTyton®

ALL PROPRIETARY RIGHTS IN THE SUBJECT MATTER SHOWN ON THIS DRAWING ARE EXCLUSIVE PROPERTY OF HELLERMANNTYTON

name	date	city, state
G GEIGER	1/5/01	JACKSON, WI

REVISION	D level	04
	A	by
W	I date	1/6/08
N	G ECN #	011204
	part level	TABLE

DIMENSIONS	TOLERANCES UNLESS OTHERWISE SPECIFIED
	units inches/mm

PART	number	see table	phase	PRODUCTION
	name	MEDIUM TORQUE HEAVY-DUTY CABLE TIE MOUNT		
material	NYLON 6/6 IMHSUV BLACK			

DRAWING	FORMAT	AH version J	CAD	PRO-E	scale	1/1
	drawn	G GEIGER	checked	K CHRISTIAN	approved	
date	1/5/01		1/6/09			
type	CUSTOMER				sheet	1 of 1
number	MT1022404CST					