



Chipsmall Limited consists of a professional team with an average of over 10 year of expertise in the distribution of electronic components. Based in Hongkong, we have already established firm and mutual-benefit business relationships with customers from,Europe,America and south Asia,supplying obsolete and hard-to-find components to meet their specific needs.

With the principle of “Quality Parts,Customers Priority,Honest Operation,and Considerate Service”,our business mainly focus on the distribution of electronic components. Line cards we deal with include Microchip,ALPS,ROHM,Xilinx,Pulse,ON,Everlight and Freescale. Main products comprise IC,Modules,Potentiometer,IC Socket,Relay,Connector.Our parts cover such applications as commercial,industrial, and automotives areas.

We are looking forward to setting up business relationship with you and hope to provide you with the best service and solution. Let us make a better world for our industry!



Contact us

Tel: +86-755-8981 8866 Fax: +86-755-8427 6832

Email & Skype: info@chipsmall.com Web: www.chipsmall.com

Address: A1208, Overseas Decoration Building, #122 Zhenhua RD., Futian, Shenzhen, China



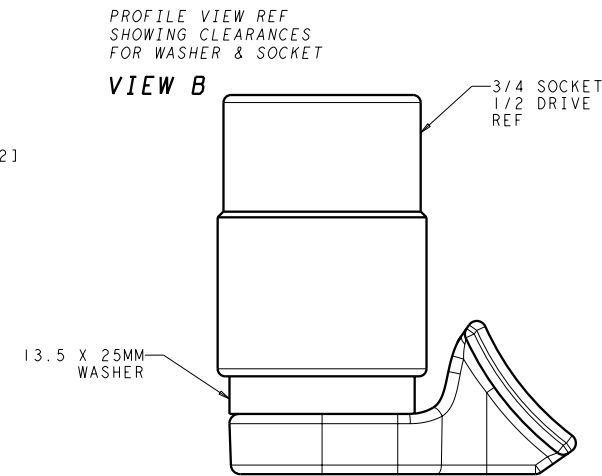
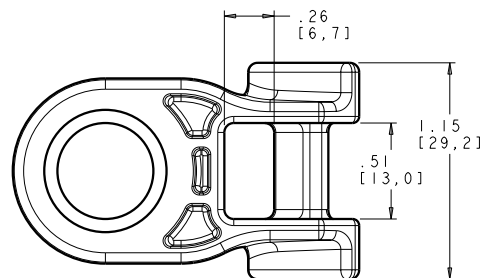
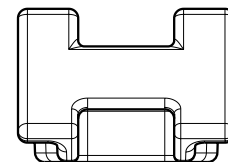
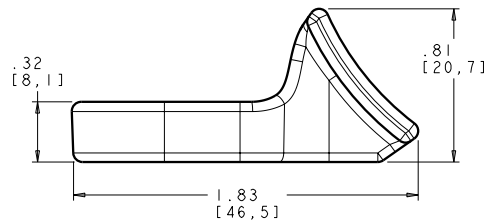
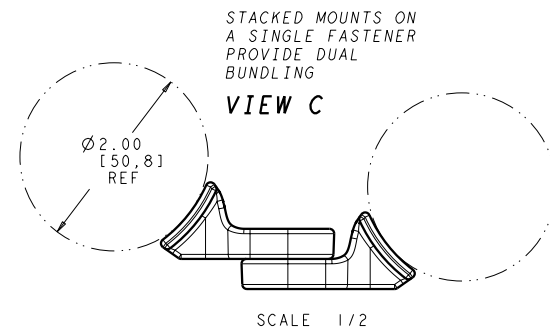
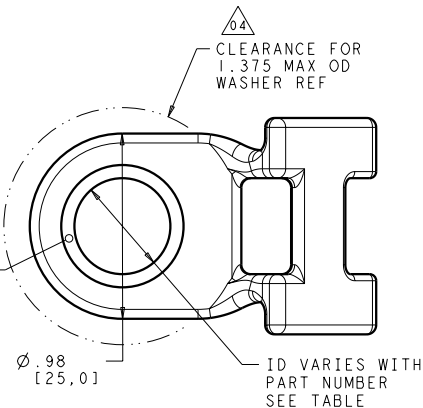
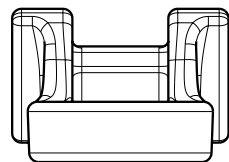
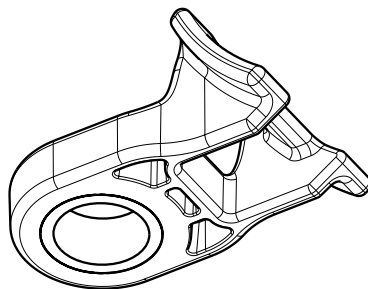
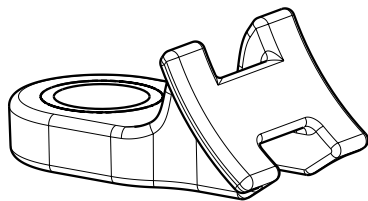


TABLE OF PART NUMBERS

PART NUMBER	PART REV	HOLE DIA	BOLT SIZE
HDM320B	B	.327[8,31]	5/16" & 8MM
HDM400B	B	.405[10,29]	3/8" & 10MM
HDM500B	B	.510[12,95]	1/2" & 12MM

FEATURES:

- RUGGED HEAVY DUTY DESIGN & MATERIAL
- 250 lb ASSEMBLY STRENGTH PERPENDICULAR TO BOLT AXIS
- METAL BUSHING WITHSTANDS 114 lb-ft (155 N-m) OF TORQUE APPLIED TO FASTENER
- FASTEN MOUNT WITH STUD, BOLT, SCREW, RIVET, SPIKE, ETC...
- CLEARANCE FOR WASHER & SOCKET DURING ASSEMBLY - SEE VIEW B
- ACCEPTS MOST STANDARD CABLE TIES UP TO 1/2" WIDE
- MOUNTS ARE DESIGNED TO BE VERTICALLY STACKED ON A SINGLE FASTENER TO ALLOW DUAL BUNDLING - SEE VIEW C
- ALSO CHAINING OF MULTIPLE BUNDLES ON A SINGLE MOUNT IS AVAILABLE IF T250 WITH BUCKLE/MOUNT FEATURE IS USED
- MOUNTING HOLE DIAMETERS ARE AVAILABLE FROM 5/16" TO 1/2" - SEE TABLE

INVENTORS

HellermannTyton®

ALL PROPRIETARY RIGHTS IN THE SUBJECT MATTER SHOWN ON THIS DRAWING ARE EXCLUSIVE PROPERTY OF HELLERMANNTYTON

name	date	city, state
G GEIGER	1/5/01	JACKSON, WI

REVISION

level	revision	date	by	part level
04	GGG	1/6/09	GGG	TABLE

DIMENSIONS

units	tolerance
inches/mm	.XXXX= ±0.005 / [1,127]
	.XXX= ±0.010 / [25]
	.XX= ±0.02 / [5]
	.X= ±0.1 / [6,4]
	∠= ±0.5
	unless otherwise specified

PART

number	see table	phase	PRODUCTION
name	HIGH-TORQUE HEAVY-DUTY CABLE TIE MOUNT INSERT-MOLDED WITH METAL BUSHING		
material	NYLON 6/6 HHSUV BLACK		

DRAWING

FORMAT	AH version	J	CAD	PRO-E	scale	1/1
computer file number						
drawn	G GEIGER		K CHRISTIAN			
date	1/5/01		1/6/09			
checked						
approved						
type	CUSTOMER					sheet 1 of 1
number	MT1022306CST					