



Chipsmall Limited consists of a professional team with an average of over 10 year of expertise in the distribution of electronic components. Based in Hongkong, we have already established firm and mutual-benefit business relationships with customers from,Europe,America and south Asia,supplying obsolete and hard-to-find components to meet their specific needs.

With the principle of “Quality Parts,Customers Priority,Honest Operation,and Considerate Service”,our business mainly focus on the distribution of electronic components. Line cards we deal with include Microchip,ALPS,ROHM,Xilinx,Pulse,ON,Everlight and Freescale. Main products comprise IC,Modules,Potentiometer,IC Socket,Relay,Connector.Our parts cover such applications as commercial,industrial, and automotives areas.

We are looking forward to setting up business relationship with you and hope to provide you with the best service and solution. Let us make a better world for our industry!



Contact us

Tel: +86-755-8981 8866 Fax: +86-755-8427 6832

Email & Skype: info@chipsmall.com Web: www.chipsmall.com

Address: A1208, Overseas Decoration Building, #122 Zhenhua RD., Futian, Shenzhen, China



DESIGNED & DIMENSIONED
IN MILLIMETERS [INCHES]

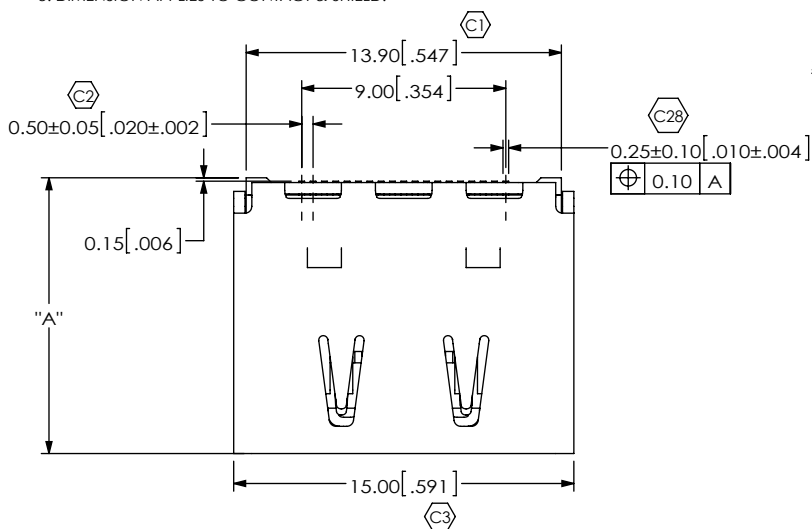
(SEE NOTE 4)

HDMR-XX-XX-X-XX-XX-XX

DO NOT
SCALE FROM
THIS PRINT

NOTES:

1. CC REPRESENTS A CRITICAL DIMENSION.
2. PARTS SHALL BE ROHS COMPLIANT.
3. PARTS TO BE PACKAGED IN TRAYS, TAIL SIDE DOWN.
(LESS THAN FULL TRAY QUANTITIES ARE TO BE PACKAGED IN COVERED TRAYS TRIMMED TO MATCH QUANTITY ORDERED)
4. HDMR FORMERLY NAMED HDMI.
5. DIMENSION APPLIES TO CONTACT & SHIELD.



No OF POSITIONS

- 19: (SEE SHT 1, FIG. 1)
- 29: (SEE SHT 3)

SHIELD TAIL STYLE

- 01: THROUGH HOLE
- 02: SURFACE MOUNT (SEE SHT 2, FIG 2) (-19 POS ONLY)

PACKAGING OPTION

-TR: TAPE & REEL (ONLY AVAILABLE WITH OUT -PF OPTION)

OPTION

- PF: PANEL FLANGE (SEE SHT 2, FIG. 4)
- L: LOCKING OPTION (ONLY AVAILABLE ON HDMR-19-01-X-TH-PF-L, SEE SHT 2, FIG 5 & HDMR-29-01-X-TH-PF-L, SEE SHT 3 FIG 8)

LEAD TERMINATION

- SM: SURFACE MOUNT
- TH: THROUGH HOLE (ONLY AVAILABLE ON HDMR-19-01-X-TH-PF-L) (SEE SHT 2, FIG 3)

PLATING CC

- (-19 POSITION)
 - S: CONTACT AREA: .000030" GOLD
 - TAILS: BRIGHT ACID TIN
 - SHELL: NICKEL
- F: CONTACT AREA: .000001" GOLD
- TAILS: BRIGHT ACID TIN
- SHELL: NICKEL
- (-29 POSITION)
 - S: CONTACT AREA: .000030" GOLD
 - TAILS: BRIGHT ACID TIN
 - SHELL: NICKEL
- F: CONTACT AREA: .000001" GOLD
- TAILS: BRIGHT ACID TIN
- SHELL: NICKEL

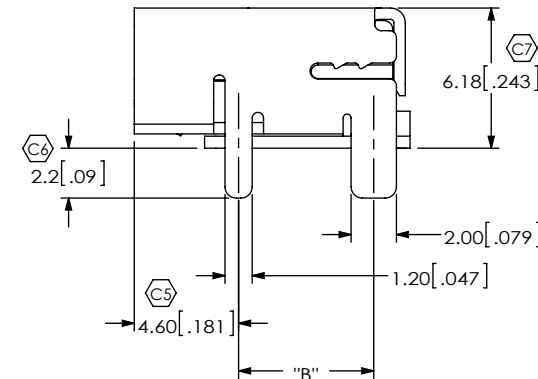
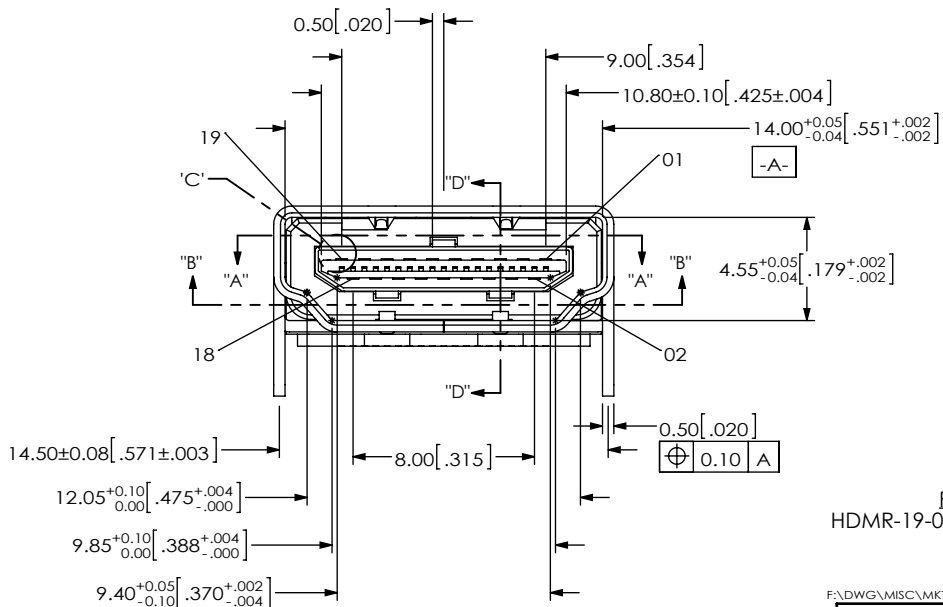
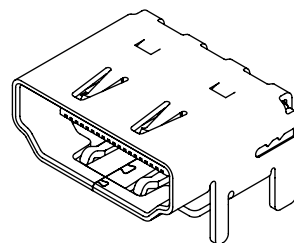


FIG 1
HDMR-19-01-X-SM SHOWN

F:\DWG\MISC\MKTG\HDMR-XX-XX-X-XX-XX-XX-MKT.SLDDRW

UNLESS OTHERWISE SPECIFIED, DIMENSIONS ARE IN MM.
TOLERANCES ARE:
DECIMALS ANGLES
.X: ±0.25 [.010]
.XX: ±0.20 [.008]
.XXX: ±0.10 [.004]

PROPRIETARY NOTE
THIS DOCUMENT CONTAINS CONFIDENTIAL AND PROPRIETARY INFORMATION AND ALL DESIGN, MANUFACTURING, REPRODUCTION, USE, PATENT RIGHTS AND SALES RIGHTS ARE EXPRESSLY RESERVED BY SAMTEC, INC. THIS DOCUMENT SHALL NOT BE DISCLOSED, IN WHOLE OR PART, TO ANY UNAUTHORIZED PERSON OR ENTITY NOR REPRODUCED, TRANSFERRED OR INCORPORATED IN ANY OTHER PROJECT IN ANY MANNER WITHOUT THE EXPRESS WRITTEN CONSENT OF SAMTEC, INC.



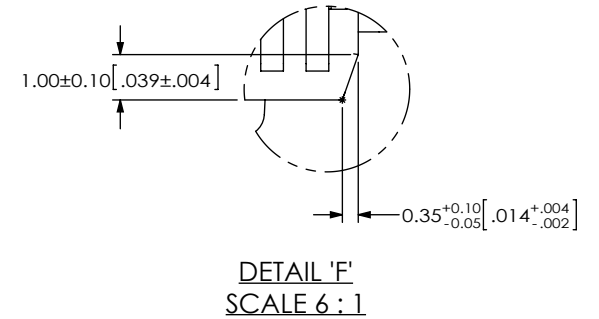
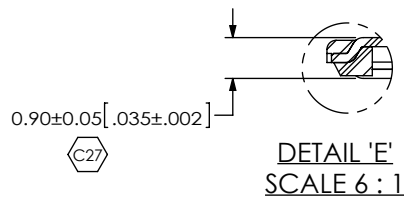
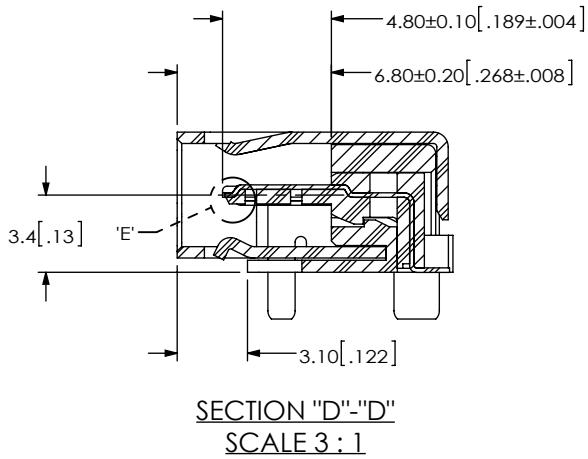
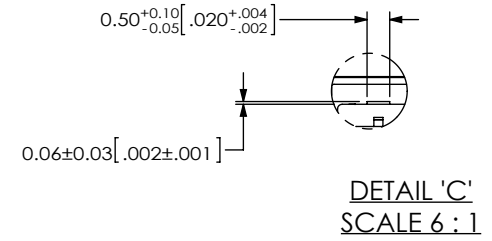
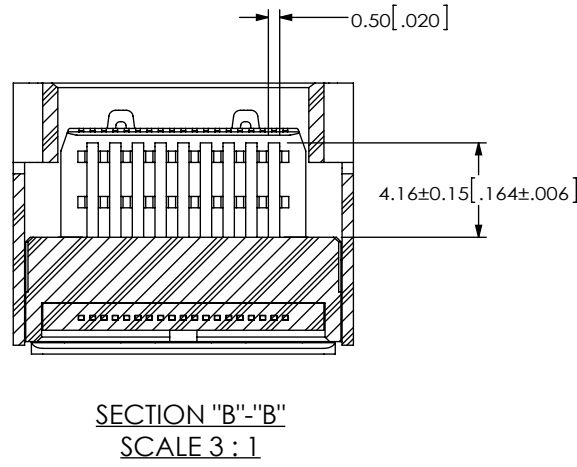
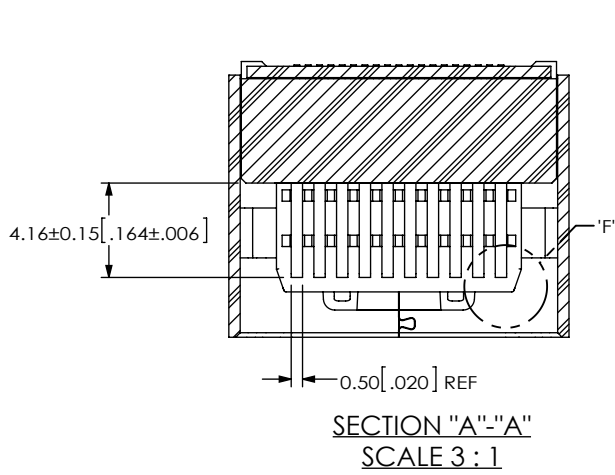
520 PARK EAST BLVD, NEW ALBANY, IN 47150
PHONE: 812-944-6733 FAX: 812-948-5047
e-Mail info@SAMTEC.com code 55322

DO NOT SCALE DRAWING SHEET SCALE: 1:0.333333

MATERIAL:
INSULATOR: HIGH TEMP THERMOPLASTIC (UL94V-0)
CONTACT: COPPER ALLOY
SHELL: NICKEL PLATED BRASS

DESCRIPTION:	HDMI RECEPTACLE
DWG. NO.	HDMR-XX-XX-X-XX-XX-XX
BY: B. PERRY	9/14/07
	SHEET 1 OF 4

AVAIL. CONFIGURATIONS	"A"	"B"
HDMR-19-01-X-SM	12.16	5.96
HDMR-19-02-X-SM	12.16	5.96
HDMR-19-01-X-SM-PF	12.16	5.96
HDMR-19-02-X-SM-PF	12.16	5.96
HDMR-19-01-X-TH-PF-L	12.25	6.00
HDMR-29-01-X-SM	SEE SHT 4	
HDMR-29-01-X-SM-PF	SEE SHT 4	



<p>DO NOT SCALE DRAWING</p> <p>SHEET SCALE: 1:0.333333</p>	<p>PROPRIETARY NOTE</p> <p>THIS DOCUMENT CONTAINS CONFIDENTIAL AND PROPRIETARY INFORMATION AND ALL DESIGN, MANUFACTURING, REPRODUCTION, USE, PATENT RIGHTS AND SALES RIGHTS ARE EXPRESSLY RESERVED BY SAMTEC, INC. THIS DOCUMENT SHALL NOT BE DISCLOSED, IN WHOLE OR PART, TO ANY UNAUTHORIZED PERSON OR ENTITY NOR REPRODUCED, TRANSFERRED OR INCORPORATED IN ANY OTHER PROJECT IN ANY MANNER WITHOUT THE EXPRESS WRITTEN CONSENT OF SAMTEC, INC.</p>	
	<p>samtec</p> <p>520 PARK EAST BLVD, NEW ALBANY, IN 47150 PHONE: 812-944-6733 FAX: 812-948-5047 e-Mail: info@SAMTEC.com code 55322</p>	
	<p>DESCRIPTION:</p> <p>HDMI RECEPTACLE</p>	<p>DWG. NO.</p> <p>HDMR-XX-XX-X-XX-XX-XX</p>
	<p>BY: B. PERRY 9/14/07</p>	<p>SHEET 2 OF 4</p>

FIG 2
-02 SHIELD TAIL STYLE
(HDMR-19-02-X-SM SHOWN)
(DIFFERENT AS SHOWN, OTHERWISE SAME AS FIG 1))

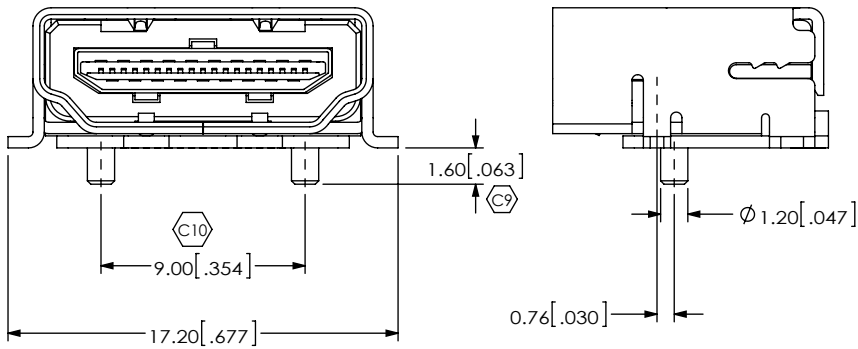


FIG 3
-TH LEAD TERMINATION STYLE
(ONLY AVAILABLE ON HDMR-19-01-X-TH-PF-L)
(DIFFERENT AS SHOWN, OTHERWISE SAME AS FIG 1))

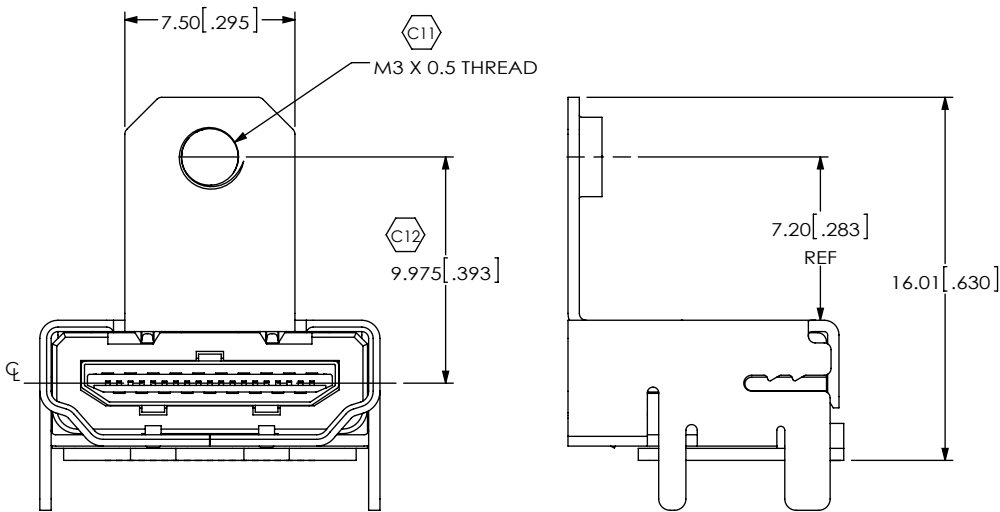
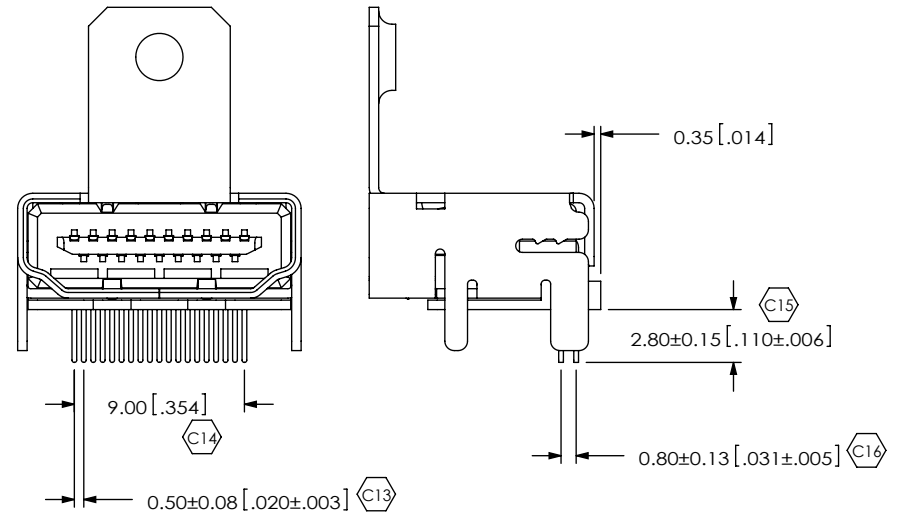
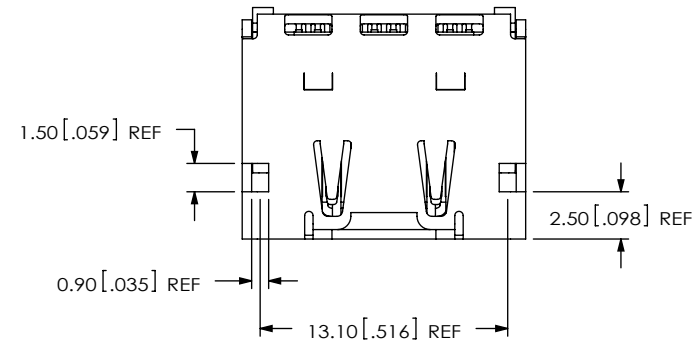


FIG 5
-L: LOCKING LEADS
(ONLY AVAILABLE ON HDMR-19-01-X-TH-PF-L)
(DIFFERENT AS SHOWN, OTHERWISE SAME AS FIG 1))



PROPRIETARY NOTE
THIS DOCUMENT CONTAINS CONFIDENTIAL AND PROPRIETARY INFORMATION AND ALL DESIGN, MANUFACTURING, REPRODUCTION, USE, PATENT RIGHTS AND SALES RIGHTS ARE EXPRESSLY RESERVED BY SAMTEC, INC. THIS DOCUMENT SHALL NOT BE DISCLOSED, IN WHOLE OR PART, TO ANY UNAUTHORIZED PERSON OR ENTITY NOR REPRODUCED, TRANSFERRED OR INCORPORATED IN ANY OTHER PROJECT IN ANY MANNER WITHOUT THE EXPRESS WRITTEN CONSENT OF SAMTEC, INC.

DO NOT SCALE DRAWING

SHEET SCALE: 3:1



520 PARK EAST BLVD, NEW ALBANY, IN 47150
PHONE: 812-944-6733 FAX: 812-948-5047
e-Mail info@SAMTEC.com code 55322

DESCRIPTION:	HDMI RECEPTACLE
DWG. NO.	HDMR-XX-XX-X-XX-XX-XX
BY: B. PERRY	9/14/07
SHEET 3 OF 4	

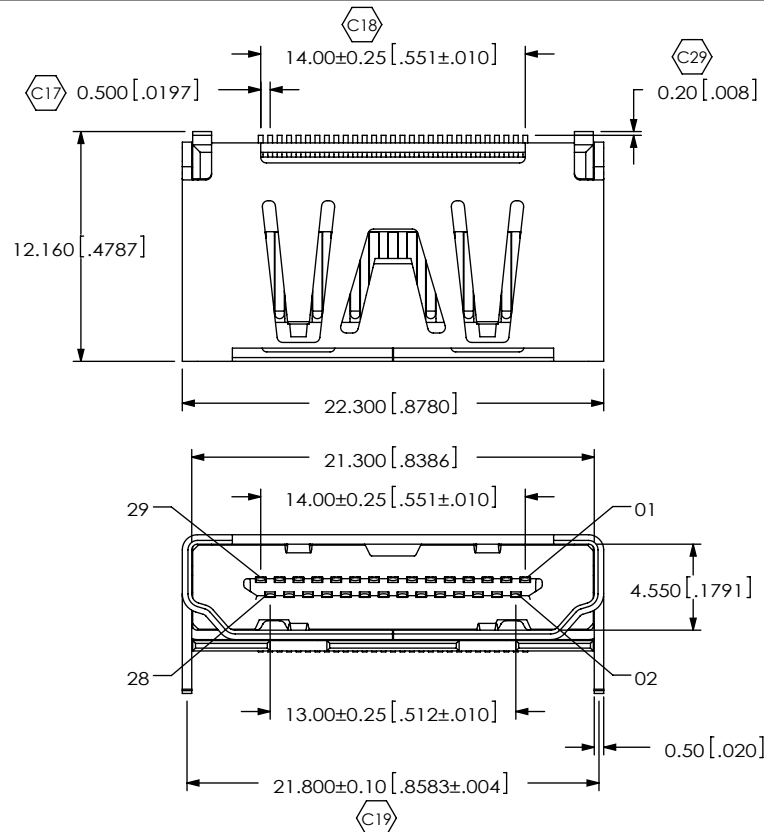


FIG 6
HDMR-29-01-X-SM SHOWN

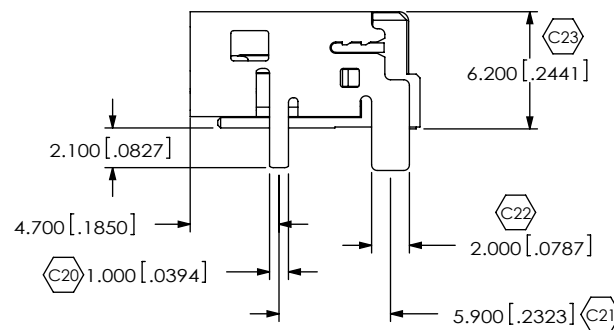
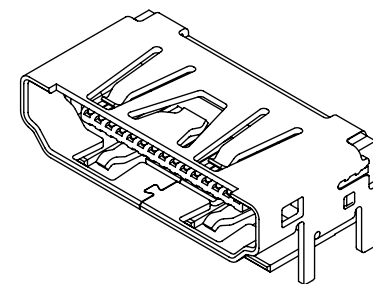


FIG 7
HDMR-29-01-X-SM-PF SHOWN
(DIFFERENT AS SHOWN, OTHERWISE SAME AS FIG 6)

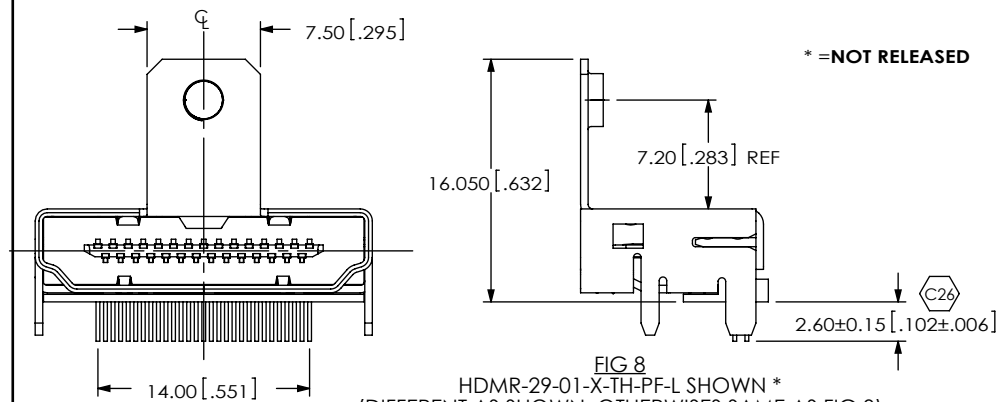
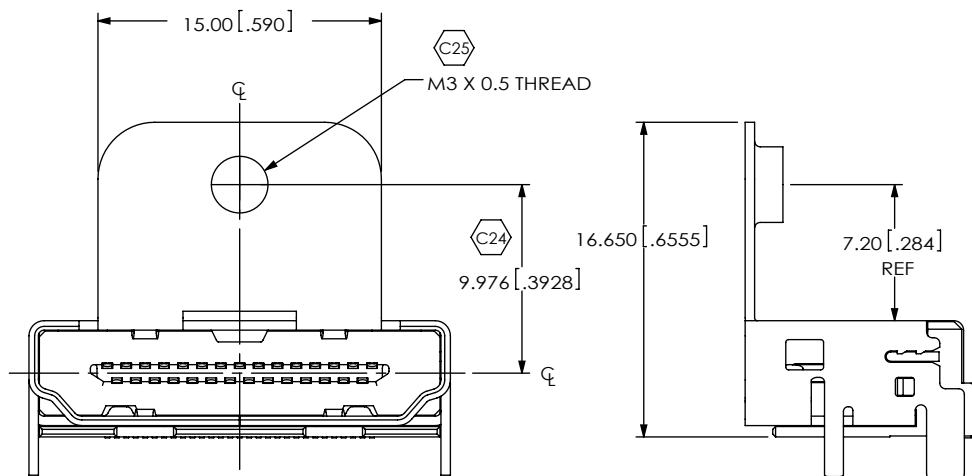


FIG 8
HDMR-29-01-X-TH-PF-L SHOWN *
(DIFFERENT AS SHOWN, OTHERWISE SAME AS FIG 3)

PROPRIETARY NOTE
THIS DOCUMENT CONTAINS CONFIDENTIAL AND PROPRIETARY INFORMATION AND ALL DESIGN, MANUFACTURING, REPRODUCTION, USE, PATENT RIGHTS AND SALES RIGHTS ARE EXPRESSLY RESERVED BY SAMTEC, INC. THIS DOCUMENT SHALL NOT BE DISCLOSED, IN WHOLE OR PART, TO ANY UNAUTHORIZED PERSON OR ENTITY NOR REPRODUCED, TRANSFERRED OR INCORPORATED IN ANY OTHER PROJECT IN ANY MANNER WITHOUT THE EXPRESS WRITTEN CONSENT OF SAMTEC, INC.

DO NOT SCALE DRAWING
SHEET SCALE: 3:1



520 PARK EAST BLVD, NEW ALBANY, IN 47150
PHONE: 812-944-6733 FAX: 812-948-5047
e-Mail: info@SAMTEC.com code 55322

DESCRIPTION:	HDMI RECEPTACLE
DWG. NO.	HDMR-XX-XX-X-XX-XX-XX
BY:	B. PERRY 9/14/07
	SHEET 4 OF 4