



Chipsmall Limited consists of a professional team with an average of over 10 year of expertise in the distribution of electronic components. Based in Hongkong, we have already established firm and mutual-benefit business relationships with customers from,Europe,America and south Asia,supplying obsolete and hard-to-find components to meet their specific needs.

With the principle of “Quality Parts,Customers Priority,Honest Operation,and Considerate Service”,our business mainly focus on the distribution of electronic components. Line cards we deal with include Microchip,ALPS,ROHM,Xilinx,Pulse,ON,Everlight and Freescale. Main products comprise IC,Modules,Potentiometer,IC Socket,Relay,Connector.Our parts cover such applications as commercial,industrial, and automotives areas.

We are looking forward to setting up business relationship with you and hope to provide you with the best service and solution. Let us make a better world for our industry!



## Contact us

Tel: +86-755-8981 8866 Fax: +86-755-8427 6832

Email & Skype: info@chipsmall.com Web: www.chipsmall.com

Address: A1208, Overseas Decoration Building, #122 Zhenhua RD., Futian, Shenzhen, China



# HDNS-2200 and HDNS-2200 #001

## Solid-State Optical Mouse LED Assembly Clip



### Data Sheet



#### Description

The HDNS-2200 LED Assembly Clip is designed to provide optical and mechanical coupling of a standard T13/4 (5 mm diameter) LED to the HDNS-2100 Solid State Optical Mouse Lens. This coupling is essential to achieve the proper illumination required for the HDNS-2000 Sensor to operate on a wide variety of surfaces.

The clip also provides a mechanical compression feature which locates over the HDNS-2000 and is used to ensure that a light mechanical contact is always maintained between the HDNS-2000 Sensor and the HDNS-2100 Lens when assembled. The inner surface of the top case of the mouse housing should be designed to lightly compress this feature when the case is closed at final assembly.

#### Ordering Information

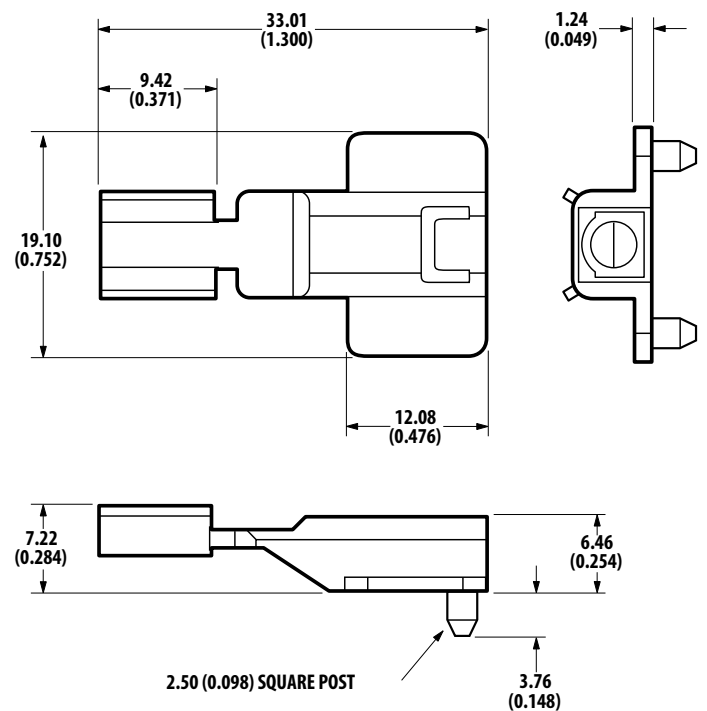
Specify Part Number as follows:

Minimum order quantity of 100.

Color	Part Number
Black	HDNS-2200
Clear	HDNS-2200 #001

#### HDNS-2200 LED Assembly Clip

#### Outline Drawing



DIMENSIONS IN MILLIMETERS (INCHES)

For product information and a complete list of distributors, please go to our web site: [www.avagotech.com](http://www.avagotech.com)