



Chipsmall Limited consists of a professional team with an average of over 10 year of expertise in the distribution of electronic components. Based in Hongkong, we have already established firm and mutual-benefit business relationships with customers from,Europe,America and south Asia,supplying obsolete and hard-to-find components to meet their specific needs.

With the principle of “Quality Parts,Customers Priority,Honest Operation,and Considerate Service”,our business mainly focus on the distribution of electronic components. Line cards we deal with include Microchip,ALPS,ROHM,Xilinx,Pulse,ON,Everlight and Freescale. Main products comprise IC,Modules,Potentiometer,IC Socket,Relay,Connector.Our parts cover such applications as commercial,industrial, and automotives areas.

We are looking forward to setting up business relationship with you and hope to provide you with the best service and solution. Let us make a better world for our industry!



## Contact us

Tel: +86-755-8981 8866 Fax: +86-755-8427 6832

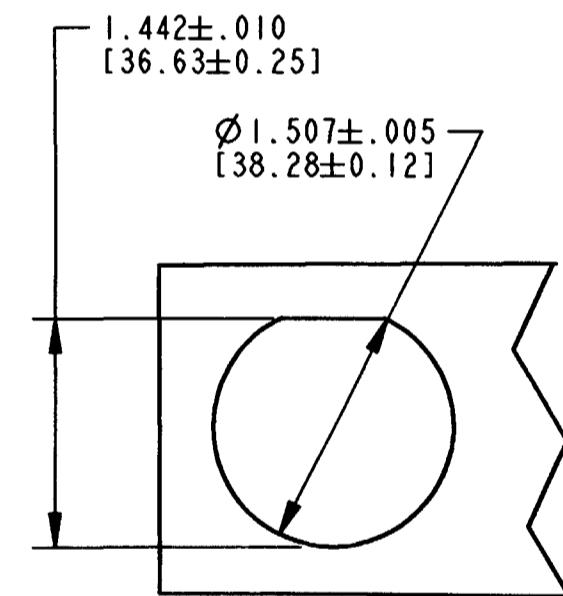
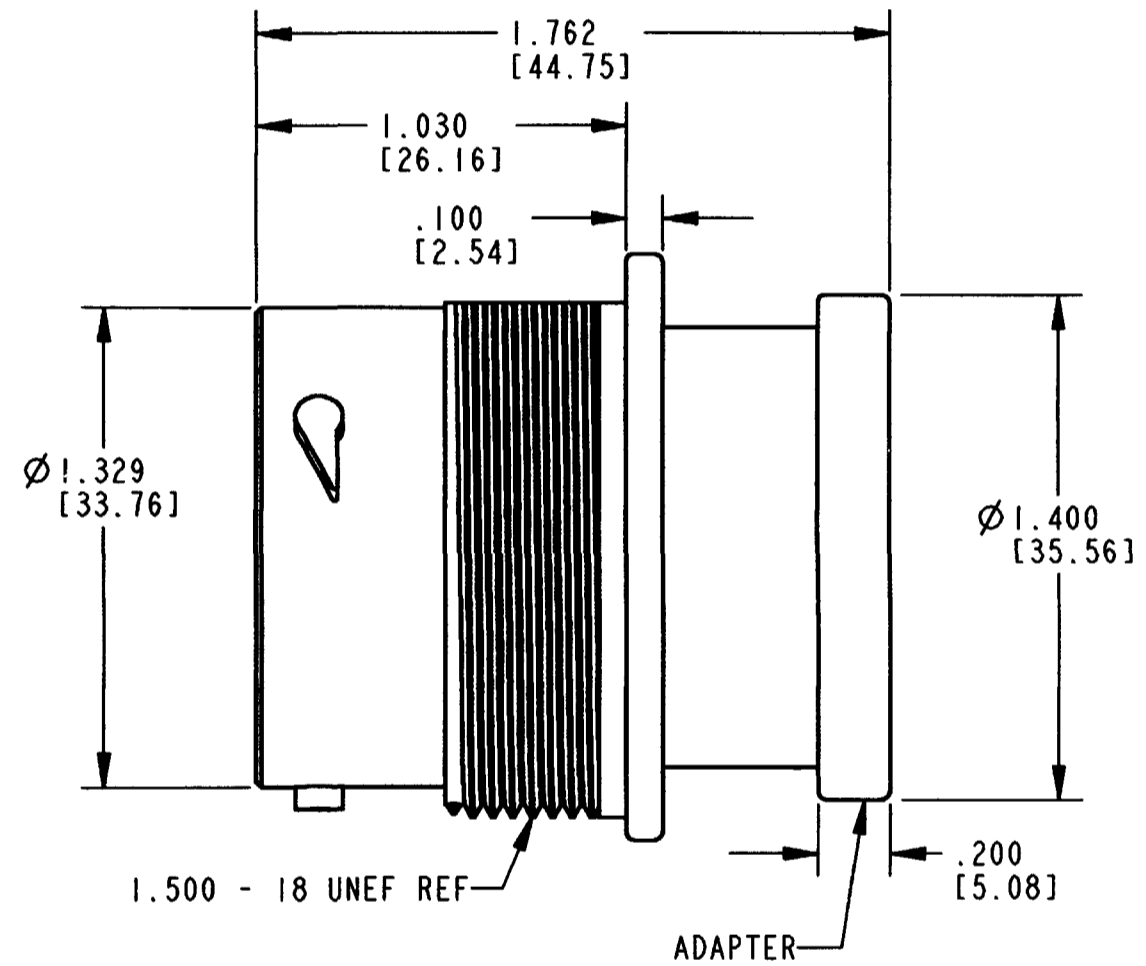
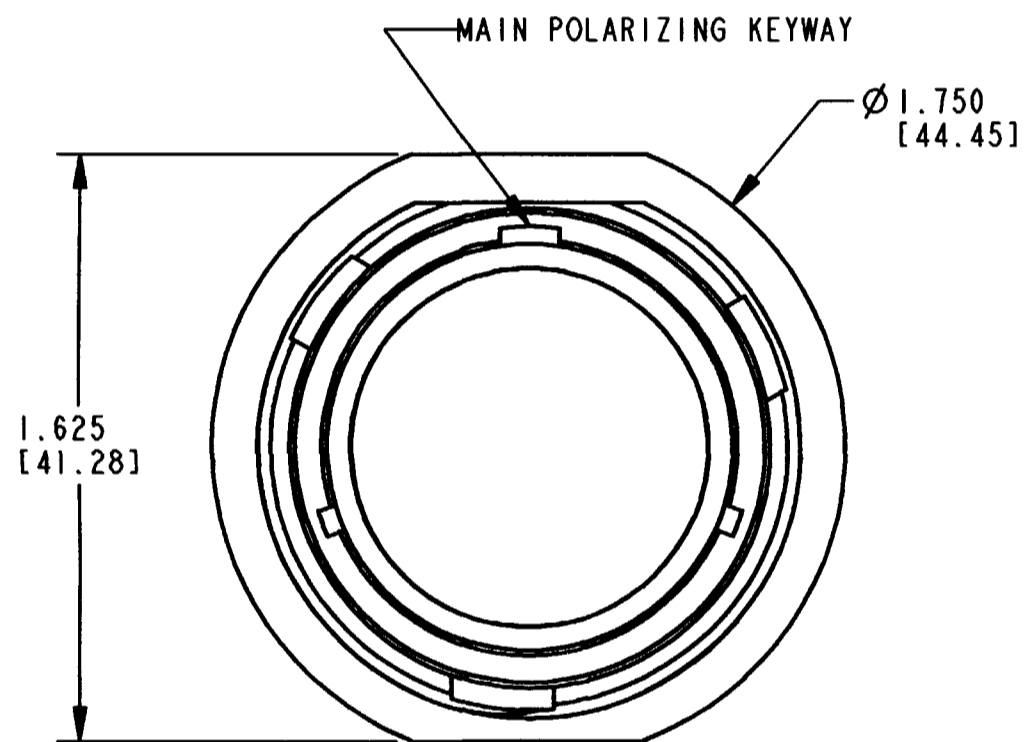
Email & Skype: info@chipsmall.com Web: www.chipsmall.com

Address: A1208, Overseas Decoration Building, #122 Zhenhua RD., Futian, Shenzhen, China



REV  
NC HDP24-18-P/S-L017

REVISIONS			
SYM	DESCRIPTION	DATE	APPROVED
NC	NEW RELEASE PER E.O. P18277	9-3-03	ROR



9. THIS RECEPTACLE TO BE USED WITH 2411-002-1805 (PLASTIC) PANEL NUT.
8. FOR PERFORMANCE AND APPLICATION CHARACTERISTICS SEE ENVELOPE DRAWING 0425-021-0000.
7. THIS RECEPTACLE MATES WITH HDP26-18-\*\*\*P/S-\*\*\*\* (\*\*\*\* = ALL MODIFICATIONS)
6. DIMENSION TOLERANCES ARE  $\pm .025$  [ $\pm 0.63$ ] UNLESS NOTED OTHERWISE.
5. FOR CONTACTS AND WIRE PERFORMANCE AND APPLICATION CHARACTERISTICS SEE ENVELOPE DWG. 0425-015-0000.
4. ALL DIMENSIONS ARE INCHES [MILLIMETERS].
3. RECOMMENDED PANEL THICKNESS: .062 [1.57] TO .1875 [4.76] MAX.
2. BACKSHELL ADAPTER COLOR REFLECTS WIRE SEAL DIAMETER. (GREEN="N" SEAL; GREY="T" SEAL; BLUE="E" SEAL).
1. FOR CONTACTS ARRANGEMENTS, SEE ENVELOPE DRAWING 0425-013-1800.

NOTES:

SIGNATURE & DATE	
DR	A. ROLINSKI 8/12/03
CHK	J. Gantel 9/2/03
PE	A. Rolinski 8/18/03
APPD	J. Beard 8/18/03
SCALE	NONE WT

PLASTIC RECEPTACLE  
CONNECTOR  
BAYONET COUPLING  
HDP SERIES  
-L017 MOD  
  
ENVELOPE

CP	MATL. CODE
<b>The Deutsch Company</b> DEUTSCH I.P.D. 3850 INDUSTRIAL AVE. HEMET, CALIF. 92545	
<b>B</b> HDP24-18-P/S-L017	
DWG SIZE	CODE 11139 SHEET   OF