



Chipsmall Limited consists of a professional team with an average of over 10 year of expertise in the distribution of electronic components. Based in Hongkong, we have already established firm and mutual-benefit business relationships with customers from,Europe,America and south Asia,supplying obsolete and hard-to-find components to meet their specific needs.

With the principle of “Quality Parts,Customers Priority,Honest Operation,and Considerate Service”,our business mainly focus on the distribution of electronic components. Line cards we deal with include Microchip,ALPS,ROHM,Xilinx,Pulse,ON,Everlight and Freescale. Main products comprise IC,Modules,Potentiometer,IC Socket,Relay,Connector.Our parts cover such applications as commercial,industrial, and automotives areas.

We are looking forward to setting up business relationship with you and hope to provide you with the best service and solution. Let us make a better world for our industry!



Contact us

Tel: +86-755-8981 8866 Fax: +86-755-8427 6832

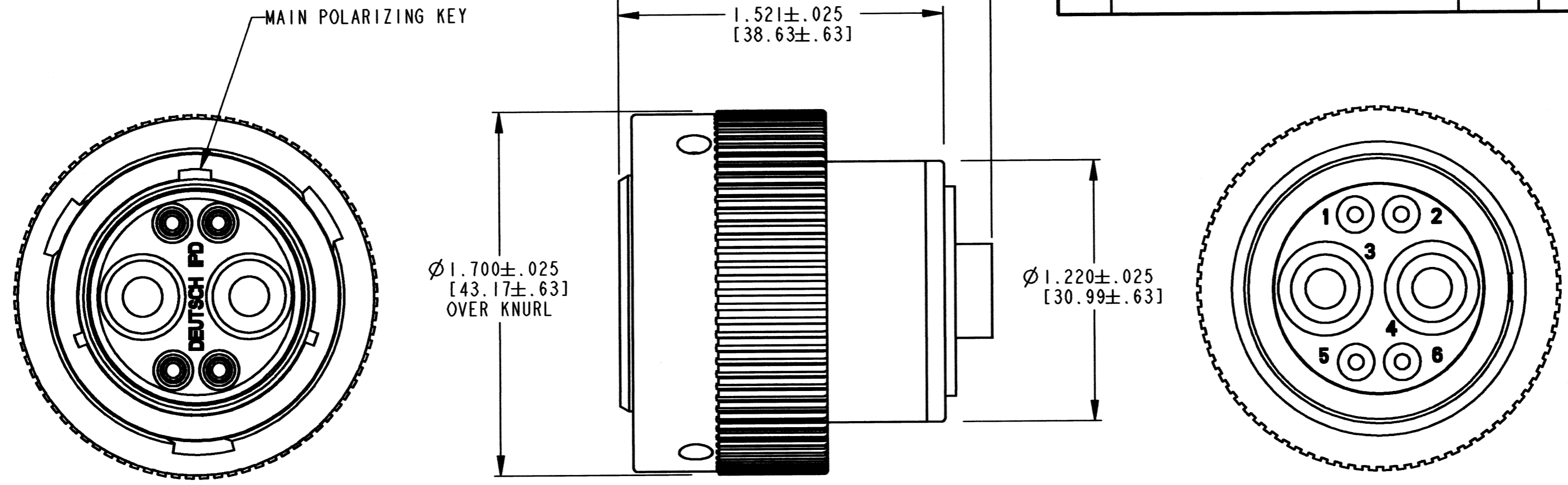
Email & Skype: info@chipsmall.com Web: www.chipsmall.com

Address: A1208, Overseas Decoration Building, #122 Zhenhua RD., Futian, Shenzhen, China



REV
A
HDP26-18-6S *

REVISIONS			
SYM	DESCRIPTION	DATE	APPROVED
NC	NEW RELEASE PER E.O. P17330	8/2/01	R.D.R.
A	REVISED PER E.O. P20700	11-9-10	RDR



1. CONSULT FACTORY FOR ELECTRICAL AND MATERIAL SPECIFICATIONS.
2. THIS CONNECTOR WILL ACCOMODATE THE FOLLOWING WIRE INSULATION DIAMETERS.
3. DIMENSIONS ARE IN INCHES [MILLIMETERS].
4. DIMENSION TOLERANCES ARE $\pm .025$ [$\pm .63$] UNLESS NOTED OTHERWISE.


SEAL TYPE	CONTACT SIZE	MIN INSULATION O.D.	MAX INSULATION O.D.	WIRE GAUGE AWG [mm ²] RANGE
N	16	.100 [2.54]	.134 [3.40]	14-20 [2.0 - 0.5mm ²]
E	16	.053 [1.35]	.120 [3.05]	14-20 [2.0 - 0.5mm ²]
N or E	4	.261 [6.63]	.292 [7.42]	6 [13mm ²]

NOTES:

7. WHEN * = N: NORMAL SEAL
WHEN * = E: REDUCED DIAMETER E SEAL.

6. THIS PART MATES WITH HDP24-18-6P*-****.
****= ALL MODIFICATIONS, *= TYPE OF SEAL.

5. FOR CONTACT AND WIRE PERFORMANCE AND APPLICATION CHARACTERISTICS
SEE ENVELOPE DWG. 0425-015-0000 and 0425-021-0000.

SIGNATURE & DATE		PLUG CONNECTOR 18-6 ARRANGEMENT HDP20 SERIES	EP	MATL. CODE
DR	X. SANCHEZ 27JUNE01		 3850 INDUSTRIAL AVE. HEMET, CA 92545	
CHK	<i>[Signature]</i> 11/09/10		DEUTSCH INDUSTRIAL	
PE	<i>[Signature]</i> 11/09/10		B HDP26-18-6S *	
APPD	<i>[Signature]</i> 11-8-10		DWG SIZE	CODE 11139
SCALE	NONE	WT	ENVELOPE	