



Chipsmall Limited consists of a professional team with an average of over 10 year of expertise in the distribution of electronic components. Based in Hongkong, we have already established firm and mutual-benefit business relationships with customers from,Europe,America and south Asia,supplying obsolete and hard-to-find components to meet their specific needs.

With the principle of “Quality Parts,Customers Priority,Honest Operation,and Considerate Service”,our business mainly focus on the distribution of electronic components. Line cards we deal with include Microchip,ALPS,ROHM,Xilinx,Pulse,ON,Everlight and Freescale. Main products comprise IC,Modules,Potentiometer,IC Socket,Relay,Connector.Our parts cover such applications as commercial,industrial, and automotives areas.

We are looking forward to setting up business relationship with you and hope to provide you with the best service and solution. Let us make a better world for our industry!



## Contact us

Tel: +86-755-8981 8866 Fax: +86-755-8427 6832

Email & Skype: info@chipsmall.com Web: www.chipsmall.com

Address: A1208, Overseas Decoration Building, #122 Zhenhua RD., Futian, Shenzhen, China

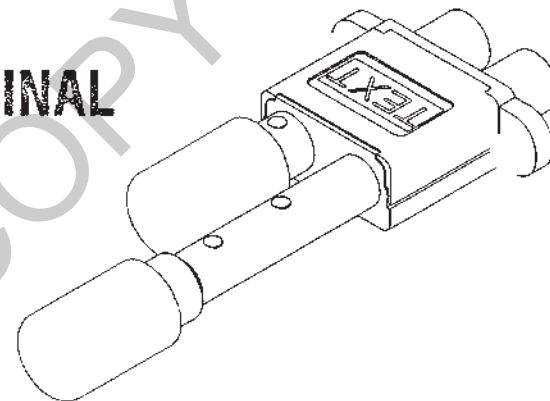


DASH NUMBER	MODEL NUMBER	VERSION
-1	HDVDPM	UNTERMINATED
-2	HDVDPMT	TERMINATED
-3	HDVDPMN	UNTERMINATED, NO ACTUATOR

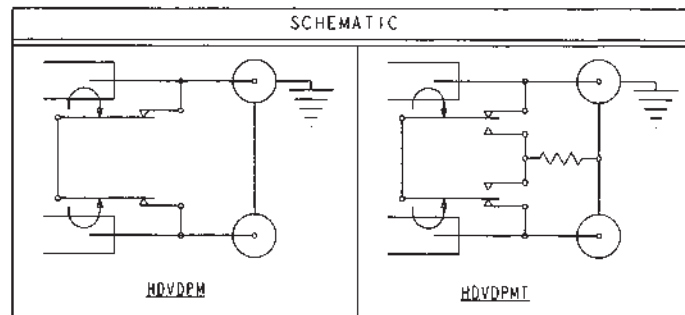
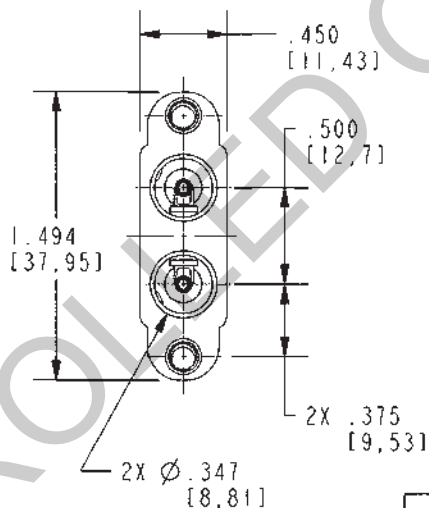
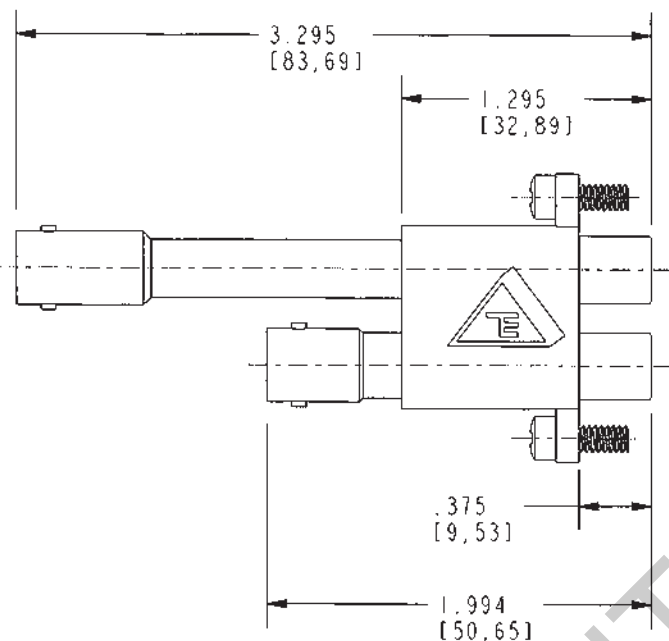
DATA CONTAINED IN THIS DOCUMENT IS PROPRIETARY TO TROMPETER ELECTRONICS INC. AND SHALL NOT BE DISCLOSED, COPIED OR USED FOR PROCUREMENT OR MANUFACTURE WITHOUT EXPRESS WRITTEN PERMISSION.

REVISIONS			
REV	DESCRIPTIONS	DATE	APPROVED
A	REVISED PER ECO 16641	6/27/08	AMC

**RED INDICATES ORIGINAL**



SCALE 1/1



- 75Ω HIGH DEFINITION VIDEO DUAL COAXIAL NORMAL-THROUGH MINIATURE-WEC<sub>0</sub> PATCH JACK. TERMINATED AND UN-TERMINATED WITH BNC RECEPTACLES
- THIS UNIT PERFORMS UP TO 2.5 GHz WITH RETURN LOSS (S11) BETTER THAN -20 dB IN NORMAL-THROUGH MODE AND BETTER THAN -15 dB IN PATCH-THROUGH MODE
- FINISH: HOUSING, TFS-1AA Ni PLATING CONTACTS: TFS-1B Au PLATING
- TERMINATED VERSION (HDVDPMT) IS SUPPLIED WITH A 75Ω 1/4 W, 1% RESISTOR
- UNIT SUPPLIED WITH TWO 6-32 MOUNTING SCREWS (LOOSE)

NOTES: UNLESS OTHERWISE SPECIFIED.

INTERPRET DRAWING PER MIL-STD-100. DIMENSIONS ARE IN INCHES AND INCLUDE FINISH THICKNESS UNLESS OTHERWISE SPECIFIED.

TOL: UNLESS SPECIFIED.  
 .XX ± .02 (.51)  
 .XXX ± .01 (.25)  
 ANGLE ± 1°

**TROMPETER**  
 RF connectivity  
 a cinch connectivity solutions brand

DRN M JOHNSON	6-4-08	MATERIAL:	TITLE: HIGH DEFINITION VIDEO DUAL PATCH MINIATURE
CHK BYR	6-27-08	FINISH:	SIZE A
QUALITY			CAGE CODE 14949
MANUF			DRAWING NO. 1-0665
APPROVED Am	6/27/08		REV. A
PROJ FILE NO. 1-0665		DO NOT SCALE DWG	SCALE 1/1
NEXT ASSY			DATE 4-22-08
			SHEET 1C