



Chipsmall Limited consists of a professional team with an average of over 10 year of expertise in the distribution of electronic components. Based in Hongkong, we have already established firm and mutual-benefit business relationships with customers from,Europe,America and south Asia,supplying obsolete and hard-to-find components to meet their specific needs.

With the principle of “Quality Parts,Customers Priority,Honest Operation,and Considerate Service”,our business mainly focus on the distribution of electronic components. Line cards we deal with include Microchip,ALPS,ROHM,Xilinx,Pulse,ON,Everlight and Freescale. Main products comprise IC,Modules,Potentiometer,IC Socket,Relay,Connector.Our parts cover such applications as commercial,industrial, and automotives areas.

We are looking forward to setting up business relationship with you and hope to provide you with the best service and solution. Let us make a better world for our industry!



Contact us

Tel: +86-755-8981 8866 Fax: +86-755-8427 6832

Email & Skype: info@chipsmall.com Web: www.chipsmall.com

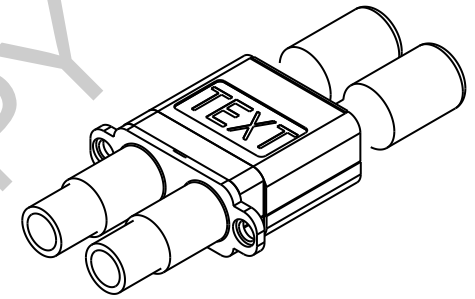
Address: A1208, Overseas Decoration Building, #122 Zhenhua RD., Futian, Shenzhen, China



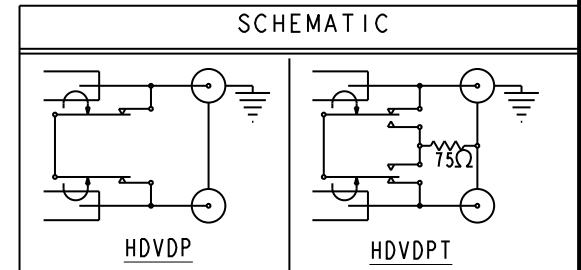
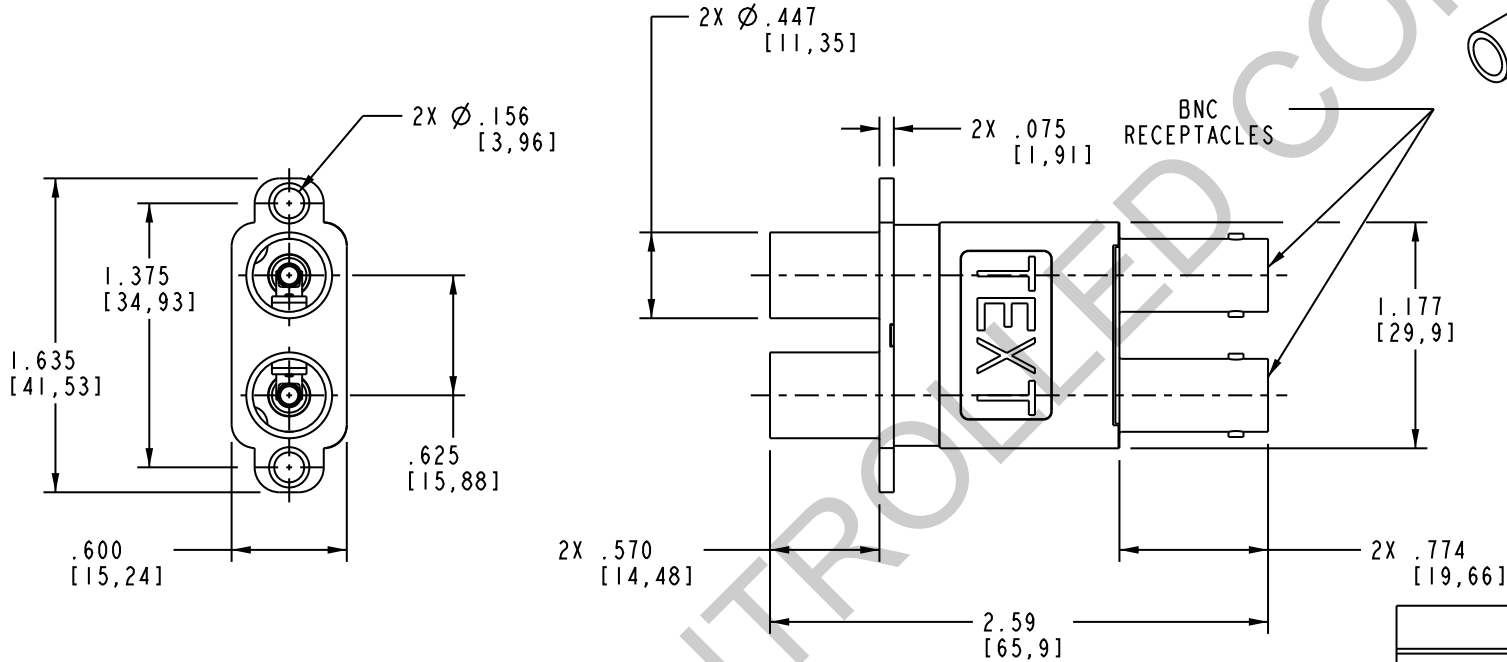
DASH NO	MODEL NO	VERSION
-1	HDVDP	UNTERMINATED
-2	HDVDPT	TERMINATED (75Ω)
-3	HDVDPN	UNTERMINATED, NO ACTUATOR

DATA CONTAINED IN THIS DOCUMENT IS PROPRIETARY TO EMERSON CONNECTIVITY SOLUTIONS AND SHALL NOT BE DISCLOSED, COPIED OR USED FOR PROCUREMENT OR MANUFACTURE WITHOUT EXPRESS WRITTEN PERMISSION

REVISIONS			
REV	DESCRIPTIONS	DATE	APPROVED
B	ECO 52113	2/8/10	T. KOHLER



SCALE 3/4



5. UNIT SUPPLIED WITH TWO 6-32 MOUNTING SCREWS (LOOSE)
4. TERMINATED VERSION (HDVDPT) IS SUPPLIED WITH A 75Ω, 1/4W, 1% RESISTOR
3. FINISH- HOUSING: TFS-1AA Ni
CONTACTS: TFS-1B Au
2. THIS UNIT PERFORMS UP TO 2.0 GHz WITH RETURN LOSS (S11) BETTER THAN -20 dB IN NORMAL-THROUGH MODE AND BETTER THAN -14dB IN PATCH-THROUGH MODE
1. 75Ω HIGH DEFINITION VIDEO DUAL COAXIAL NORMAL-THROUGH PATCH JACK, TERMINATED AND UN-TERMINATED WITH BNC RECEPTACLES

NOTES: UNLESS OTHERWISE SPECIFIED.

INTERPRET DRAWING PER MIL-STD-100. DIMENSIONS ARE IN INCHES AND INCLUDE FINISH THICKNESS UNLESS OTHERWISE SPECIFIED.

TOL: UNLESS SPECIFIED.
 .XX ± .02 [1,5080]
 .XXX ± .010 [1,2540]
 ANGLE ± 1°

DRN C. WALLACE 2/17/10

N/A	CHK
BLANK LENGTH (REF. ONLY)	QUALITY
N/A	MANUF
N/A	APPROVED
SURFACE AREA	PROT TITLE NO. 1-0664

MATERIAL:

FINISH:

DO NOT SCALE DWG



Cinch Connectivity Solutions
 299 Johnson Ave. Ste. 100
 Waseca, MN 56093
 1-800-247-8256

TITLE: HIGH DEFINITION VIDEO DUAL PATCH			
SIZE A	CAGE CODE 14949	DRAWING NO. 1-0664	REV. B
SCALE 1/1	DATE	SHEET 1 OF 2	