



Chipsmall Limited consists of a professional team with an average of over 10 year of expertise in the distribution of electronic components. Based in Hongkong, we have already established firm and mutual-benefit business relationships with customers from,Europe,America and south Asia,supplying obsolete and hard-to-find components to meet their specific needs.

With the principle of "Quality Parts,Customers Priority,Honest Operation,and Considerate Service",our business mainly focus on the distribution of electronic components. Line cards we deal with include Microchip,ALPS,ROHM,Xilinx,Pulse,ON,Everlight and Freescale. Main products comprise IC,Modules,Potentiometer,IC Socket,Relay,Connector.Our parts cover such applications as commercial,industrial, and automotives areas.

We are looking forward to setting up business relationship with you and hope to provide you with the best service and solution. Let us make a better world for our industry!



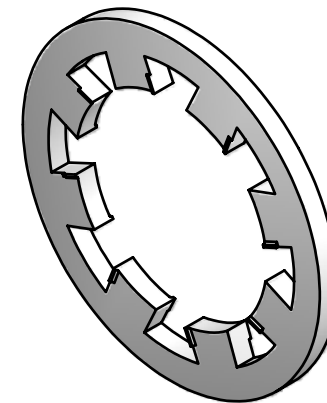
Contact us

Tel: +86-755-8981 8866 Fax: +86-755-8427 6832

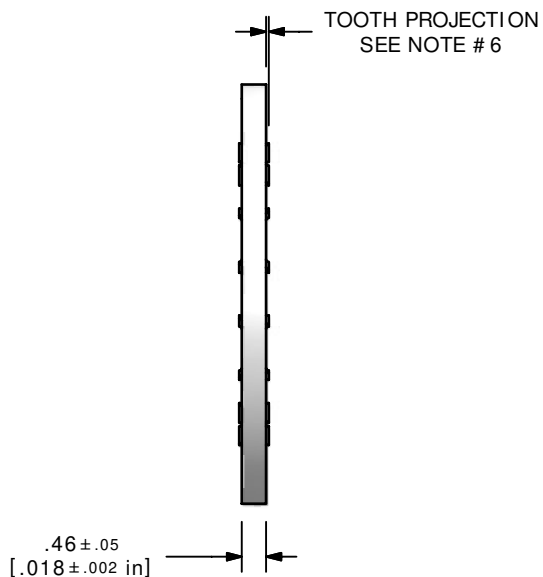
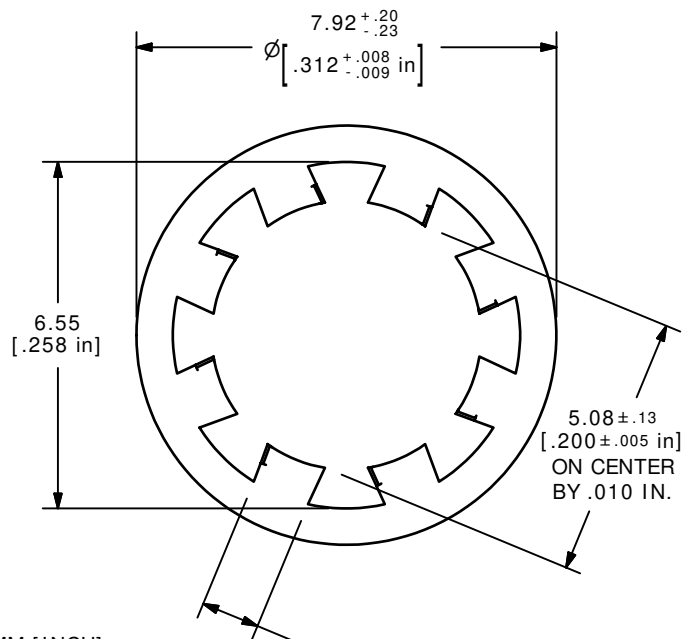
Email & Skype: info@chipsmall.com Web: www.chipsmall.com

Address: A1208, Overseas Decoration Building, #122 Zhenhua RD., Futian, Shenzhen, China





ISOMETRIC



TOOTH WIDTH
SEE NOTE # 5

NOTE:

1. ALL DIMENSIONS IN MM [INCH]
2. GENERAL TOLERANCE: X.X= ± 0.4
X.XX= ± 0.25
3. MATERIAL: CRS TYPE SAE 1050
HEAT TREAT TO RC 44-48
4. PLATING SPEC: SULFAMATE NICKEL, DUCTILE
NICKEL PLATE .00015/ .00025
COPPER STRIKE .00020/ .00050
5. NO. OF TEETH : 8 EQUALLY SPACED.
6. MINIMUM PROJECTION OF ANY SINGLE TOOTH SHALL BE .00015, PART TO HAVE A MIN OF THE TEETH ON ONE SIDE, 2 SIDES IS OPTIONAL.
7. 2002/95/EC (ROHS) COMPLIANT



TITLE HDW22 LOCKWASHER (FITS 10-48 BUSHING)

C	16820	REVISED AND REDRAWN	1/3/07	TN
REV	PCR NO	DESCRIPTION	DATE	BY

THE INFORMATION CONTAINED IN THIS DOCUMENT IS PROPRIETARY TO E-SWITCH AND IS NOT TO BE COPIED OR TRANSFERRED

SCALE	8:1	DATE	1/3/2007	DR	TN	DWG	T200000	REV	C
-------	-----	------	----------	----	----	-----	---------	-----	---