



Chipsmall Limited consists of a professional team with an average of over 10 year of expertise in the distribution of electronic components. Based in Hongkong, we have already established firm and mutual-benefit business relationships with customers from,Europe,America and south Asia,supplying obsolete and hard-to-find components to meet their specific needs.

With the principle of “Quality Parts,Customers Priority,Honest Operation,and Considerate Service”,our business mainly focus on the distribution of electronic components. Line cards we deal with include Microchip,ALPS,ROHM,Xilinx,Pulse,ON,Everlight and Freescale. Main products comprise IC,Modules,Potentiometer,IC Socket,Relay,Connector.Our parts cover such applications as commercial,industrial, and automotives areas.

We are looking forward to setting up business relationship with you and hope to provide you with the best service and solution. Let us make a better world for our industry!



## Contact us

Tel: +86-755-8981 8866 Fax: +86-755-8427 6832

Email & Skype: info@chipsmall.com Web: www.chipsmall.com

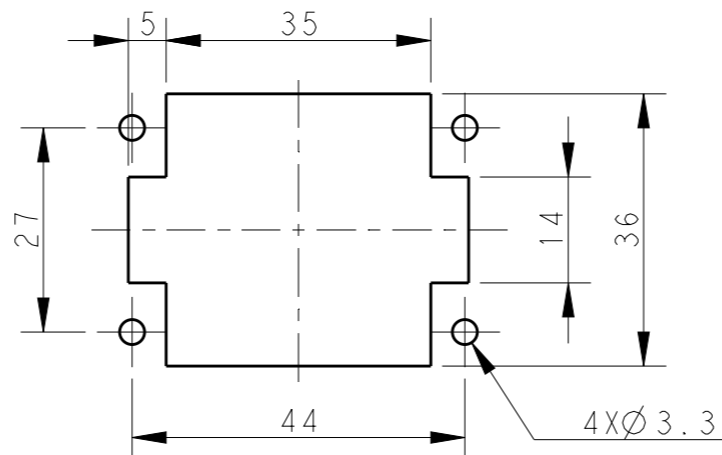
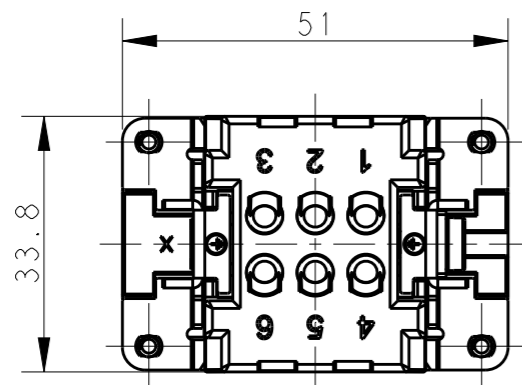
Address: A1208, Overseas Decoration Building, #122 Zhenhua RD., Futian, Shenzhen, China



THIS DRAWING IS UNPUBLISHED. RELEASED FOR PUBLICATION 20  
 © COPYRIGHT 20 BY - ALL RIGHTS RESERVED.

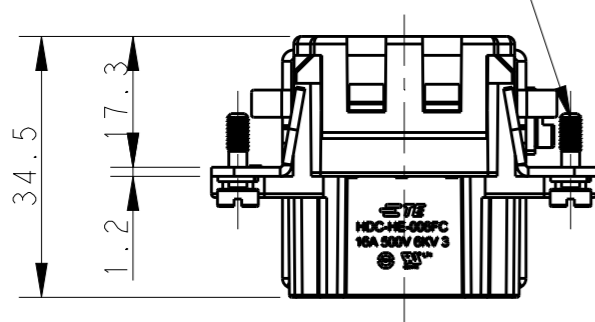
REVISIONS

| P | LTR | DESCRIPTION     | DATE      | DWN | APVD |
|---|-----|-----------------|-----------|-----|------|
|   | A   | INITIAL RELEASE | 06APR2015 | GY  | CW   |
|   | B   | ECR-15-013759   | 12OCT2015 | DW  | CW   |
|   | B1  | ECR-16-015492   | 16NOV2016 | QY  | CW   |

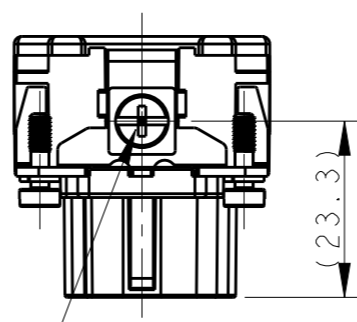


PANEL CUT FOR INSERTS FOR USING WITHOUT HOODS/ HOUSINGS  
 不使用防护外壳时芯件的安装开孔图

4X M3 SCREW, RECOMMENDED TIGHTENING TORQUE 0.5Nm  
 4X M3螺丝, 推荐锁紧力矩0.5Nm



M4 SCREW, RECOMMENDED TIGHTENING TORQUE 1.2Nm  
 M4螺丝, 推荐锁紧力矩1.2Nm

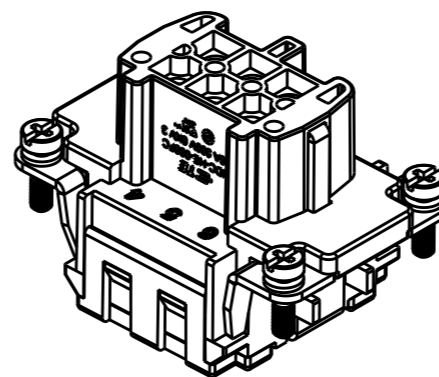
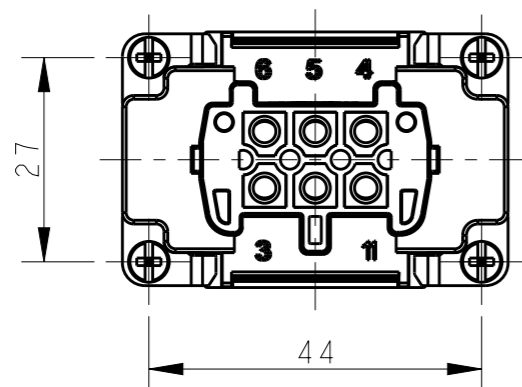


NOTES:

- TECHNICAL CHARACTERISTICS:  
 INSULATION MATERIAL: PC  
 RATED VOLTAGE: 500V  
 RATED CURRENT: 16A  
 INSULATION RESISTANCE:  $\geq 400M\Omega$   
 RATED IMPULSE VOLTAGE: 6KV  
 POLLUTION DEGREE: 3  
 FLAMMABILITY: UL94V-0  
 MATING CYCLES: 500 CYCLES  
 WIRE RANGE:  $0.14mm^2 \sim 4mm^2$  (AWG26-AWG12)  
 CONTACT TYPE: CRIMP CONTACT
- CONTACTS NEED TO BE ORDERED SEPARATELY.  
 (ORDER No. REFER TO DRAWING: T20300X20XX000)

注释:

- 技术参数:  
 绝缘材料: PC  
 额定电压: 500V  
 额定电流: 16A  
 绝缘电阻:  $\geq 400M\Omega$   
 脉冲电压: 6KV  
 污染等级: 3  
 阻燃等级: UL94V-0  
 插拔次数: 500次  
 接线范围:  $0.14mm^2 \sim 4mm^2$  (AWG26-AWG12)  
 接线类型: 冷压接
- 端子需要单独订购。  
 (订货号参考图面: T20300X20XX000)



TYPE-1, T2040064201-000, TE LOGO  
 类型-1, T2040064201-000, TE LOGO

|  |  |                             |                 |                           |
|--|--|-----------------------------|-----------------|---------------------------|
| THIS DRAWING IS A CONTROLLED DOCUMENT. |  | DWN Gino.Yao 06APR2015      | TE Connectivity |                           |
| DIMENSIONS: mm                         |  | CHK Chris.Wang 06APR2015    |                 |                           |
| TOLERANCES UNLESS OTHERWISE SPECIFIED: |  | APVD Xiang.Xu 06APR2015     | NAME HE-006-FC  |                           |
| 0 PLC $\pm$                            |  | PRODUCT SPEC 108-137044     | SIZE A3         |                           |
| 1 PLC $\pm$                            |  | APPLICATION SPEC 114-137044 | CAGE CODE 00779 | DRAWING NO T2040064201000 |
| 2 PLC $\pm$                            |  | WEIGHT -                    | RESTRICTED TO - |                           |
| 3 PLC $\pm$                            |  | MATERIAL -                  | SCALE 1:1       |                           |
| 4 PLC $\pm$                            |  | FINISH -                    | SHEET 1 OF 2    |                           |
| ANGLES $\pm$                           |  | Customer Drawing            | REV B1          |                           |

THIS DRAWING IS UNPUBLISHED.

RELEASED FOR PUBLICATION

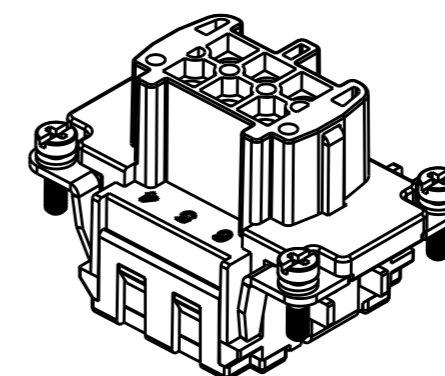
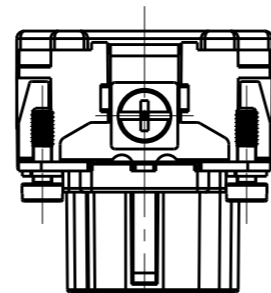
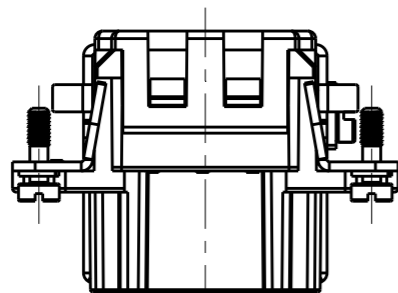
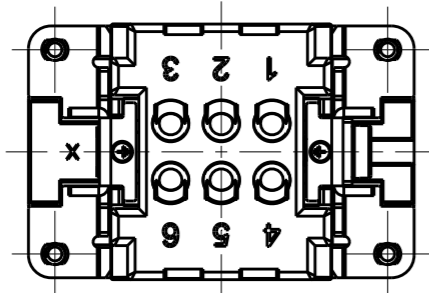
20

© COPYRIGHT 20 BY -

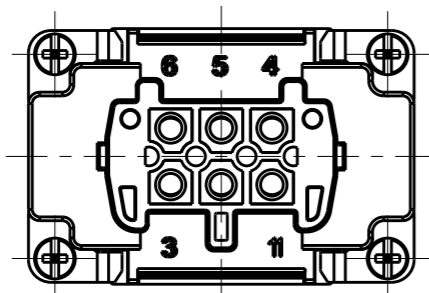
ALL RIGHTS RESERVED.

REVISIONS

| P | LTR | DESCRIPTION | DATE | DWN | APVD |
|---|-----|-------------|------|-----|------|
| - |     | SEE SHEET 1 | -    | -   | -    |
|   |     |             |      |     |      |
|   |     |             |      |     |      |



NOTE:  
SEE SHEET 1  
注释:  
见页 1



TYPE-2, T2040064201-001, STAINLESS STEEL SCREW, NO LOGO  
类型-2, T2040064201-001, 不锈钢螺丝, 无LOGO

ALL SPEC DIMENSION REFER TO TYPE 1  
所有产品规格尺寸参照 TYPE 1

| T2040064201-001   | HE-006-FC              | HE-006 FEMALE INSERT, CRIMPING, STAINLESS STEEL SCREW, NO LOGO<br>HE-006母插, 冷压针, 不锈钢螺丝, 无LOGO | TYPE-2<br>类型-2 |
|-------------------|------------------------|---|----------------|
| T2040064201-000   | HE-006-FC              | HE-006 FEMALE INSERT, CRIMPING<br>HE-006母插, 冷压针   | TYPE-1<br>类型-1 |
| PART NUMBER<br>料号 | PART DESCRIPTION<br>描述 |   | TYPE<br>类型     |

|  |  |                                |                    |                              |
|--|--|--------------------------------|--------------------|------------------------------|
| THIS DRAWING IS A CONTROLLED DOCUMENT. |  | DWN<br>Gino.Yao<br>06APR2015   |                    |                              |
| DIMENSIONS:<br>mm                      |  | CHK<br>Chris.Wang<br>06APR2015 |                    |                              |
| TOLERANCES UNLESS OTHERWISE SPECIFIED: |  | APVD<br>Xiang.Xu<br>06APR2015  | NAME<br>HE-006-FC  |                              |
| 0 PLC ±-                               |  | PRODUCT SPEC<br>108-137044     | SIZE<br>A3         |                              |
| 1 PLC ±-                               |  | APPLICATION SPEC<br>114-137044 | CAGE CODE<br>00779 | DRAWING NO<br>T2040064201000 |
| 2 PLC ±-                               |  | WEIGHT<br>-                    | RESTRICTED TO<br>- |                              |
| 3 PLC ±-                               |  | Customer Drawing               | SCALE<br>1:1       |                              |
| 4 PLC ±-                               |  |                                | SHEET<br>2 OF 2    |                              |
| ANGLES ±-                              |  | REV<br>B1                      |                    |                              |
| FINISH<br>-                            |  |                                |                    |                              |
| MATERIAL<br>-                          |  |                                |                    |                              |