



Chipsmall Limited consists of a professional team with an average of over 10 year of expertise in the distribution of electronic components. Based in Hongkong, we have already established firm and mutual-benefit business relationships with customers from,Europe,America and south Asia,supplying obsolete and hard-to-find components to meet their specific needs.

With the principle of “Quality Parts,Customers Priority,Honest Operation,and Considerate Service”,our business mainly focus on the distribution of electronic components. Line cards we deal with include Microchip,ALPS,ROHM,Xilinx,Pulse,ON,Everlight and Freescale. Main products comprise IC,Modules,Potentiometer,IC Socket,Relay,Connector.Our parts cover such applications as commercial,industrial, and automotives areas.

We are looking forward to setting up business relationship with you and hope to provide you with the best service and solution. Let us make a better world for our industry!



Contact us

Tel: +86-755-8981 8866 Fax: +86-755-8427 6832

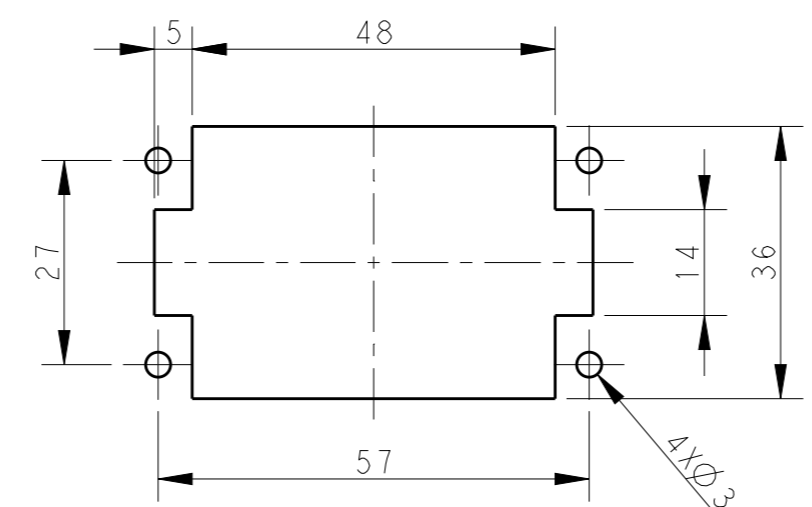
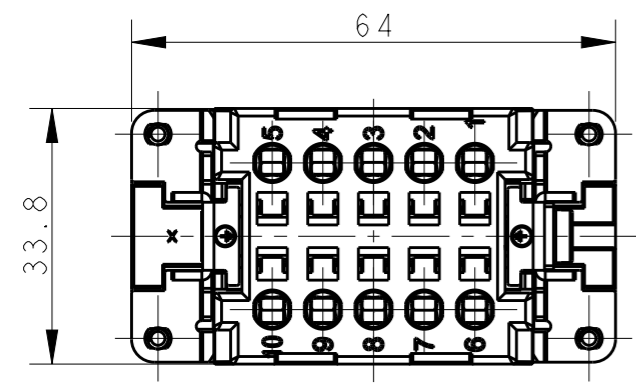
Email & Skype: info@chipsmall.com Web: www.chipsmall.com

Address: A1208, Overseas Decoration Building, #122 Zhenhua RD., Futian, Shenzhen, China



THIS DRAWING IS UNPUBLISHED. RELEASED FOR PUBLICATION 20
 © COPYRIGHT 20 BY - ALL RIGHTS RESERVED.

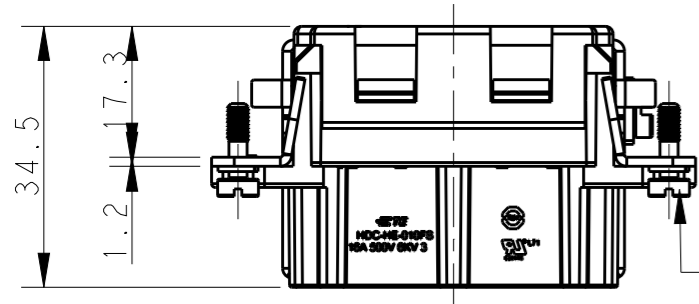
REVISIONS					
P	LTR	DESCRIPTION	DATE	DWN	APVD
A		INITIAL RELEASE	09APR2015	GY	CW
B		ECR-15-013759	29SEP2015	DW	CW
B1		ECR-16-009892	13JUL2016	RL	CW



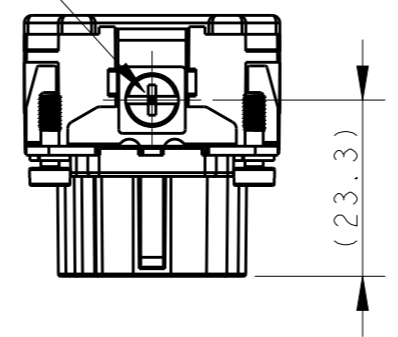
PANEL CUT OUT FOR INSERTS FOR USE WITHOUT HOODS/HOUSING
 不使用防护外壳时芯件的安装开孔图

NOTES:
 1. TECHNICAL CHARACTERISTICS:
 INSULATION MATERIAL: PC
 RATED VOLTAGE: 500V
 RATED CURRENT: 16A
 INSULATION RESISTANCE: $\geq 400M\Omega$
 RATED IMPULSE VOLTAGE: 6KV
 POLLUTION DEGREE: 3
 FLAMMABILITY: UL94V-0
 MATING CYCLES: 500 CYCLES
 WIRE RANGE: $0.5mm^2 \sim 2.5mm^2$ (AWG20-AWG14)
 CONTACT FINISH: SILVER PLATED
 CONTACT TYPE: SPRING CLAMP

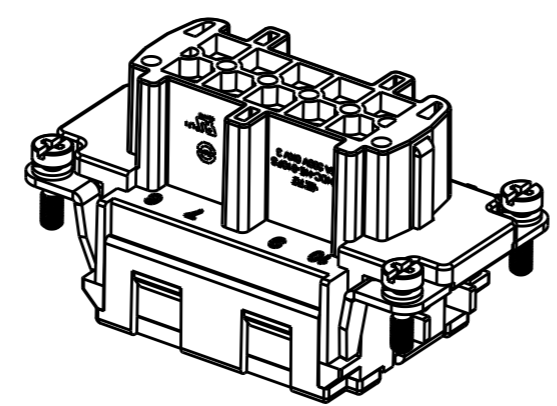
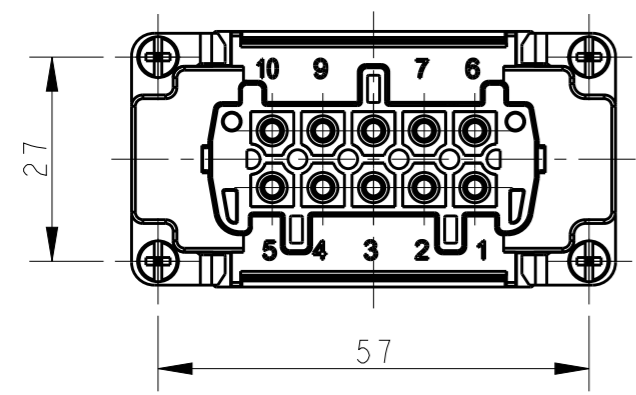
M4 SCREW, RECOMMENDED TIGHTENING TORQUE 1.2Nm
 M4螺丝, 推荐扭力矩为 1.2Nm



4X M3 SCREW RECOMMENDED TIGHTENING TORQUE 0.5Nm
 4 X M3螺丝, 推荐扭力矩为 0.5Nm



注释:
 1. 技术参数:
 绝缘材料: PC
 额定电压: 500V
 额定电流: 16A
 绝缘电阻: $\geq 400M\Omega$
 脉冲电压: 6KV
 污染等级: 3
 阻燃等级: UL94V-0
 插拔次数: 500 次
 接线范围: $0.5mm^2 \sim 2.5mm^2$ (AWG20-AWG14)
 端子表面处理: 镀银
 接线类型: 弹片压接



T2040103201-001	HE-010-FS	HE-010 FEMALE INSERT, WITH STAINLESS STEEL SCREW, SPRING CLAMP HE-010母插, 带不锈钢螺丝, 弹片	STAINLESS STEEL	STAINLESS STEEL
T2040103201-000	HE-010-FS	HE-010 FEMALE INSERT, SPRING CLAMP HE-010母插, 弹片	STEEL	STEEL
PART NUMBER 料号	PART DESCRIPTION 描述		FIXING SCREW MAT'L 压线螺丝材质	GROUND CONTACT SCREW MAT'L 接地连接螺丝材质

THIS DRAWING IS A CONTROLLED DOCUMENT.		DWN Gino.Yao 09APR2015	TE Connectivity				
DIMENSIONS: mm		CHK Chris.Wang 09APR2015			NAME HE-010-FS		
TOLERANCES UNLESS OTHERWISE SPECIFIED:		APVD Xiang.Xu 09APR2015					
0 PLC ±- 1 PLC ±- 2 PLC ±- 3 PLC ±- 4 PLC ±- ANGLES ±-		PRODUCT SPEC 108-137044					
MATERIAL	FINISH	APPLICATION SPEC 114-137044	SIZE A3	CAGE CODE 00779	DRAWING NO T2040103201000	RESTRICTED TO	
Customer Drawing			WEIGHT	SCALE 1:1		SHEET 1 OF 1	REV B1