



Chipsmall Limited consists of a professional team with an average of over 10 year of expertise in the distribution of electronic components. Based in Hongkong, we have already established firm and mutual-benefit business relationships with customers from,Europe,America and south Asia,supplying obsolete and hard-to-find components to meet their specific needs.

With the principle of “Quality Parts,Customers Priority,Honest Operation,and Considerate Service”,our business mainly focus on the distribution of electronic components. Line cards we deal with include Microchip,ALPS,ROHM,Xilinx,Pulse,ON,Everlight and Freescale. Main products comprise IC,Modules,Potentiometer,IC Socket,Relay,Connector.Our parts cover such applications as commercial,industrial, and automotives areas.

We are looking forward to setting up business relationship with you and hope to provide you with the best service and solution. Let us make a better world for our industry!



## Contact us

Tel: +86-755-8981 8866 Fax: +86-755-8427 6832

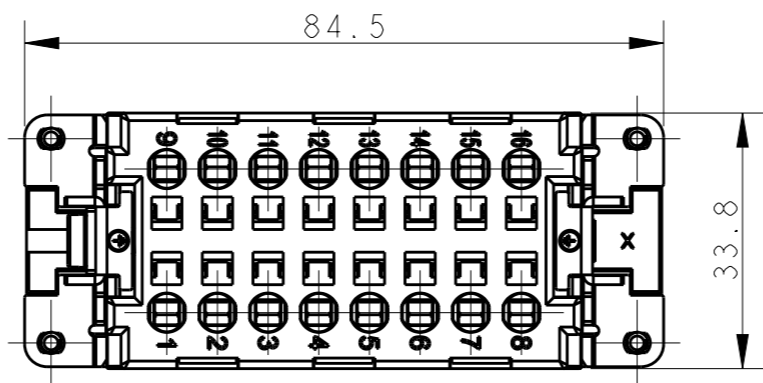
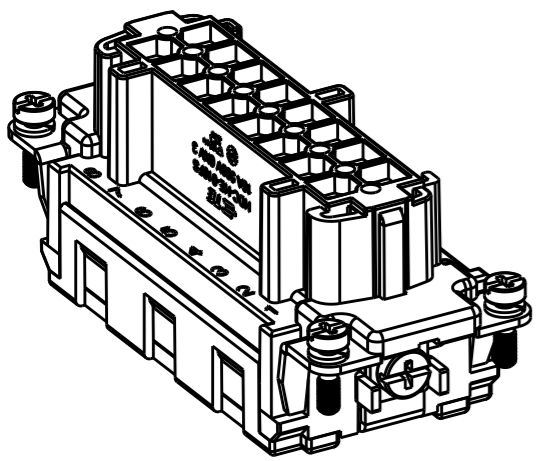
Email & Skype: info@chipsmall.com Web: www.chipsmall.com

Address: A1208, Overseas Decoration Building, #122 Zhenhua RD., Futian, Shenzhen, China

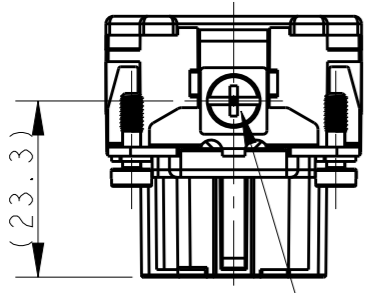


THIS DRAWING IS UNPUBLISHED. RELEASED FOR PUBLICATION 20  
 © COPYRIGHT 20 BY - ALL RIGHTS RESERVED.

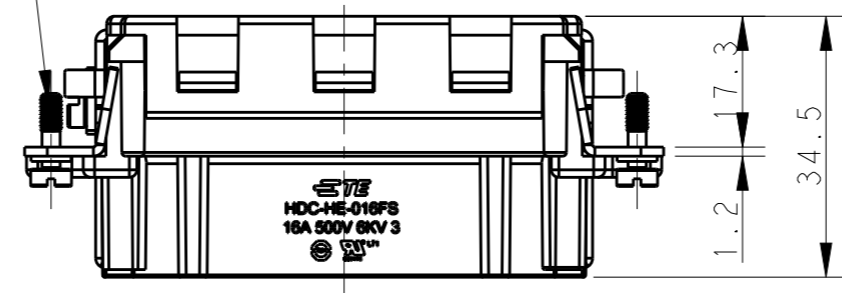
| REVISIONS |     |                 |           |     |      |
|-----------|-----|-----------------|-----------|-----|------|
| P         | LTR | DESCRIPTION     | DATE      | DWN | APVD |
| A         |     | INITIAL RELEASE | 15APR2015 | CY  | CW   |
| B         |     | ECR-15-013759   | 09OCT2015 | DW  | CW   |
| B1        |     | ECR-16-009892   | 13JUL2016 | RL  | CW   |



4X M3 SCREW  
 RECOMMENDED TIGHTENING TORQUE 0.5Nm  
 4 X M3螺丝, 推荐扭力矩为 0.5Nm

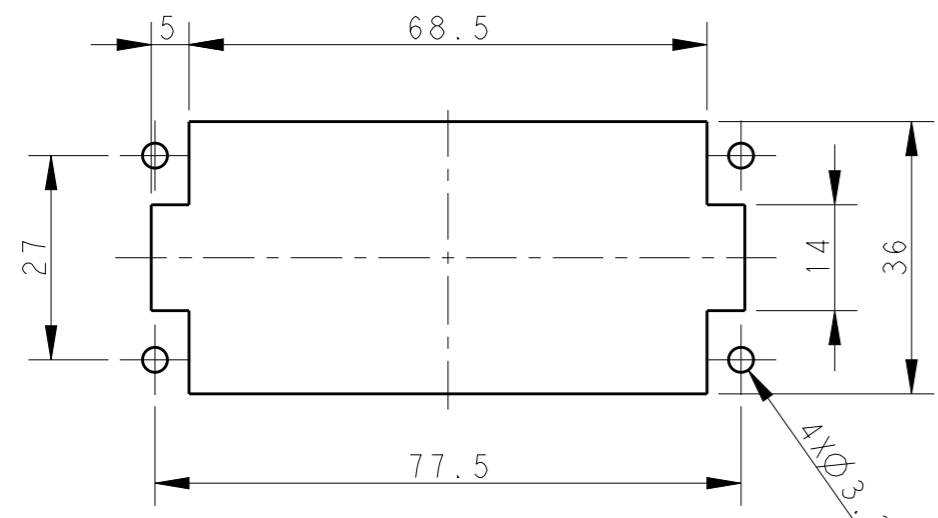


M4 SCREW, RECOMMENDED TIGHTENING TORQUE 1.2Nm  
 M4螺丝, 推荐扭力矩为 1.2Nm

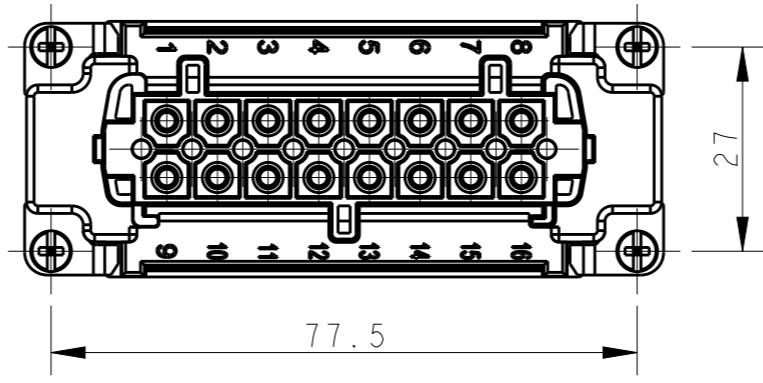


NOTES:  
 1. TECHNICAL CHARACTERISTICS:  
 INSULATION MATERIAL: PC  
 RATED VOLTAGE: 500V  
 RATED CURRENT: 16A  
 INSULATION RESISTANCE: >=400MΩ  
 RATED IMPULSE VOLTAGE: 6KV  
 POLLUTION DEGREE: 3  
 FLAMMABILITY: UL94V-0  
 MATING CYCLES: 500 CYCLES  
 WIRE RANGE: 0.5mm<sup>2</sup>~2.5mm<sup>2</sup> (AWG20-AWG14)  
 CONTACT FINISH: SILVER PLATED  
 CONTACT TYPE: SPRING CLAMP

注释:  
 1. 技术参数:  
 绝缘材料: PC  
 额定电压: 500V  
 额定电流: 16A  
 绝缘电阻: >=400MΩ  
 脉冲电压: 6KV  
 污染等级: 3  
 阻燃等级: UL94V-0  
 插拔次数: 500 次  
 接线范围: 0.5mm<sup>2</sup>~2.5mm<sup>2</sup> (AWG20-AWG14)  
 端子表面处理: 镀银  
 接线类型: 弹片压接



PANEL CUT OUT FOR INSERTS FOR USE WITHOUT HOODS/HOUSING  
 不使用防护外壳时芯件的安装开孔图



|                   |                        |   |  |                 |
|-------------------|------------------------|---|--|-----------------|
| T2040163201-001   | HE-016-FS              | HE-016 FEMALE INSERT, STAINLESS STEEL SCREW, SPRING CLAMP<br>HE-016母插, 带不锈钢螺丝, 弹片 | STAINLESS STEEL                        | STAINLESS STEEL |
| T2040163201-000   | HE-016-FS              | HE-016 FEMALE INSERT, SPRING CLAMP<br>HE-016母插, 弹片                                | STEEL                                  | STEEL           |
| PART NUMBER<br>料号 | PART DESCRIPTION<br>描述 | FIXING SCREW MAT'L<br>压线螺丝材质  | GROUND CONTACT SCREW MAT'L<br>接地连接螺丝材质 |                 |

|  |  |                                |                    |                              |                    |
|--|--|--------------------------------|--------------------|------------------------------|--------------------|
| THIS DRAWING IS A CONTROLLED DOCUMENT. |  | DWN<br>Gino.Yao<br>15APR2015   | TE Connectivity    |                              |                    |
| DIMENSIONS:<br>mm                      |  | CHK<br>Chris.Wang<br>15APR2015 |                    |                              |                    |
| TOLERANCES UNLESS OTHERWISE SPECIFIED: |  | APVD<br>Xiang.Xu<br>15APR2015  | NAME<br>HE-016-FS  |                              |                    |
| 0 PLC ±-                               |  | PRODUCT SPEC<br>108-137044     | SIZE<br>A3         |                              |                    |
| 1 PLC ±-                               |  | APPLICATION SPEC<br>114-137044 | CAGE CODE<br>00779 | DRAWING NO<br>T2040163201000 | RESTRICTED TO<br>- |
| 2 PLC ±-                               |  | WEIGHT<br>-                    | SCALE<br>4:5       |                              |                    |
| 3 PLC ±-                               |  | SHEET<br>1 OF 1                |                    |                              |                    |
| 4 PLC ±-                               |  | REV<br>B1                      |                    |                              |                    |
| ANGLES ±-                              |  | Customer Drawing               |                    |                              |                    |
| FINISH<br>-                            |  | SCALE<br>4:5                   |                    |                              |                    |
| MATERIAL<br>-                          |  | SHEET<br>1 OF 1                |                    |                              |                    |
|  |  | REV<br>B1                      |                    |                              |                    |